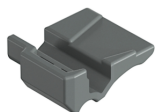


Opening angle limiter for Sensys 110° hinge



Order no.	PU
9 072 354	1/50 ea.

- ▶ Limitation from 110° to 90°
- ▶ For reducing the opening angle of doors with adjoining elements
- ▶ This avoids damaging the front
- ▶ Plastic, grey

Opening angle limiter for Sensys 110° hinge



Order no.	PU
9 072 540	1/50 ea.

- ▶ Limitation from 110° to 85°
- ▶ For reducing the opening angle of doors with adjoining elements
- ▶ This avoids damaging the front
- ▶ Plastic, white

Opening angle limiter for Sensys angle hinges



Order no.	PU
9 072 541	1/50 ea.

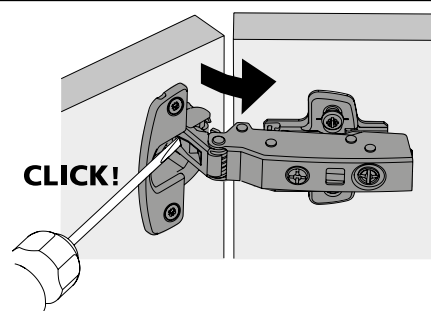
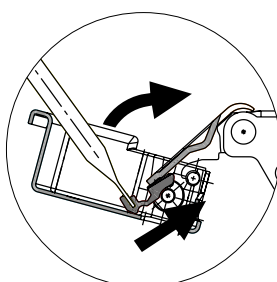
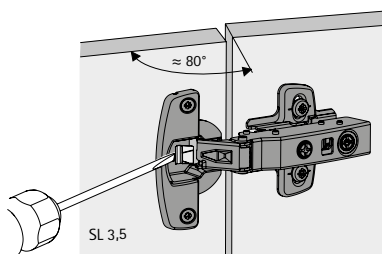
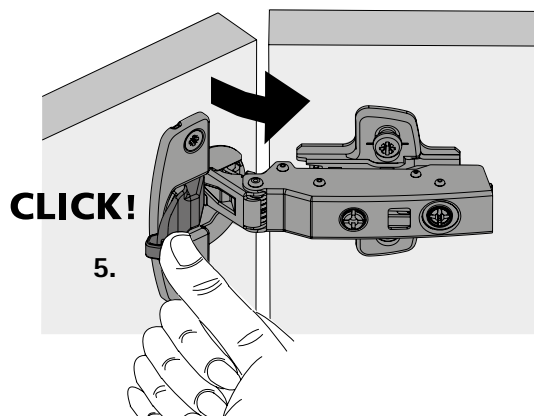
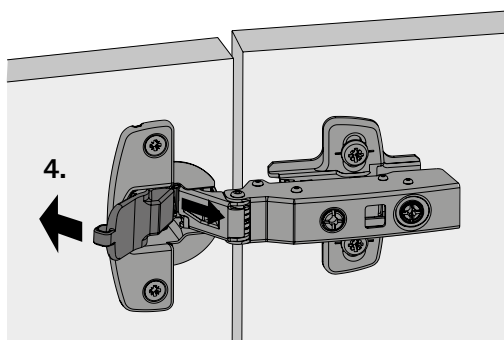
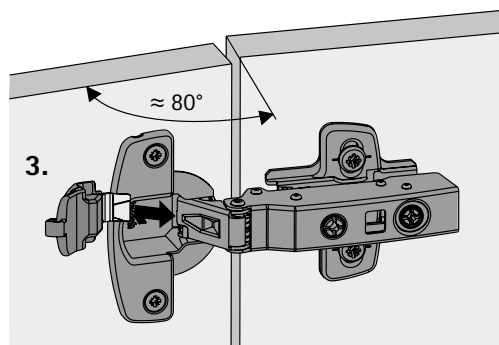
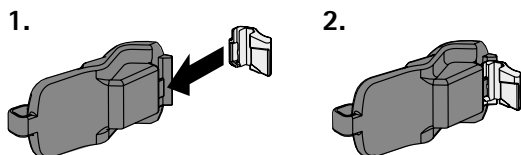
- ▶ Limitation from 95° to 85°
- ▶ For reducing the opening angle of doors with adjoining elements
- ▶ This avoids damaging the front
- ▶ Plastic, black

Aid for installing opening angle limiter



Order no.	PU
9 081 657	1/100 each

- ▶ Can be used with the following opening angle limiters
 - Order no. 9 072 540 for Sensys 110° hinges
 - Order no. 9 072 354 for Sensys 110° hinges
 - Order no. 9 072 541 for Sensys angle hinges



Opening angle limiter for Sensys thick door hinges

Technik für Möbel

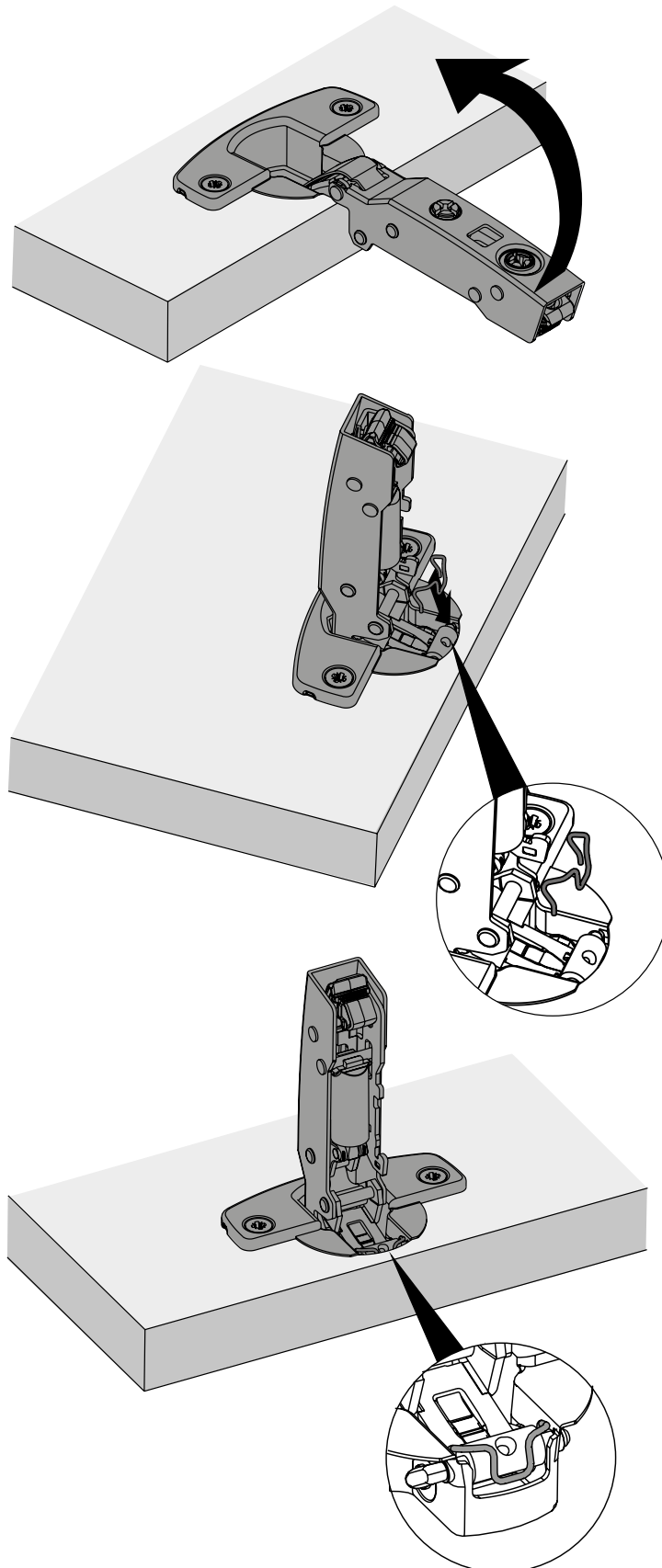
Hettich

Opening angle limiter for Sensys thick door hinges



Order no.	PU
9 103 006	1/50 ea.

- ▶ Limitation from 95° to 85°
- ▶ For reducing the opening angle of doors with adjoining elements
- ▶ This avoids damaging the front
- ▶ Steel



Opening angle limiter for Sensys thin door hinges

Technik für Möbel

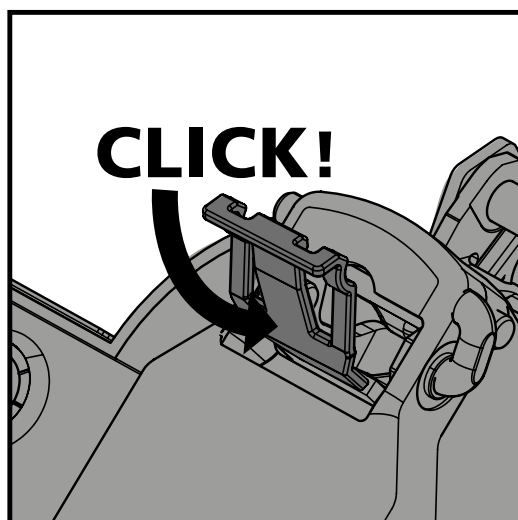
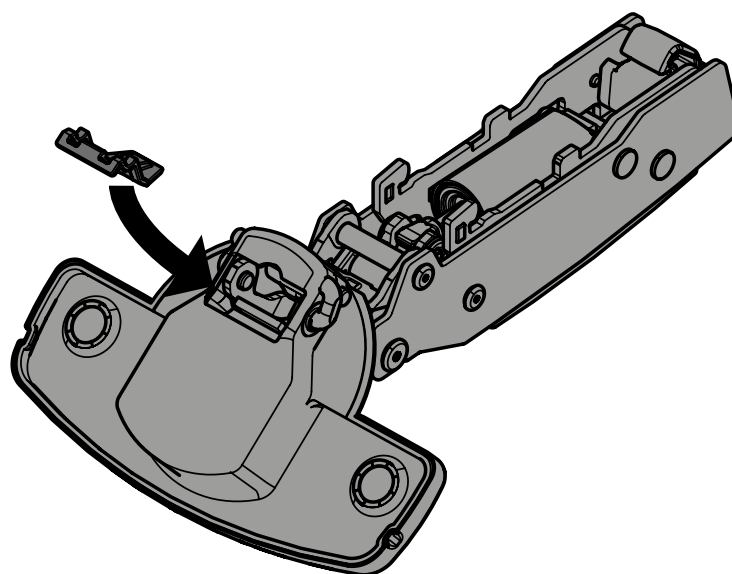
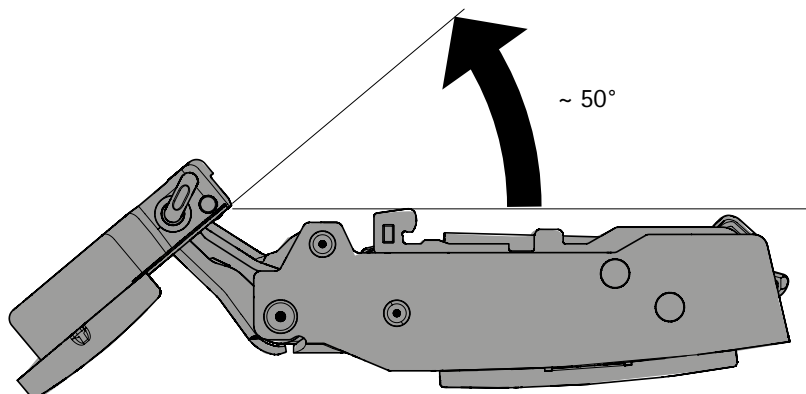
Hettich

Opening angle limiter for Sensys thin door hinges



Order no.	PU
9 076 440	1/50 ea.

- ▶ Limitation from 110° to 85°
- ▶ For reducing the opening angle of doors with adjoining elements
- ▶ This avoids damaging the front
- ▶ Plastic, anthracite



Opening angle limiter for Sensys wide angle hinges

Technik für Möbel

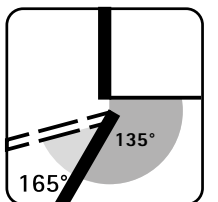
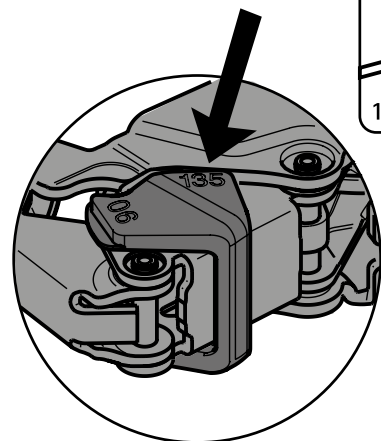
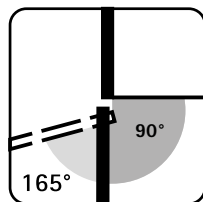
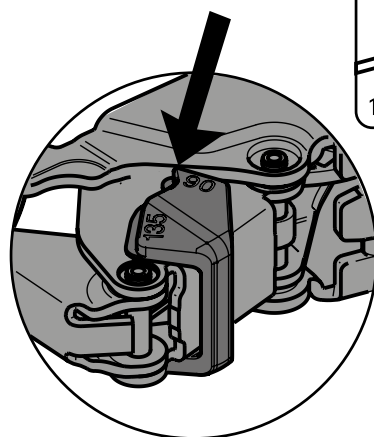
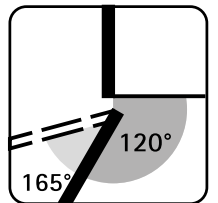
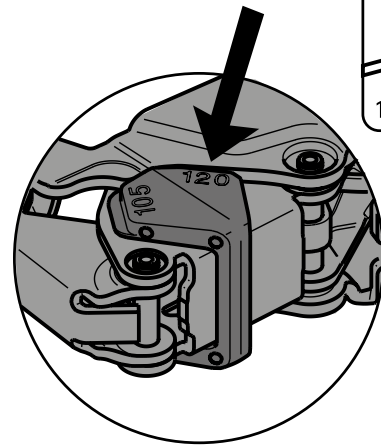
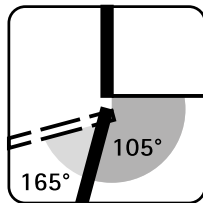
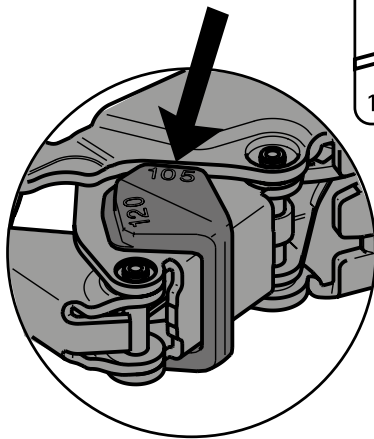
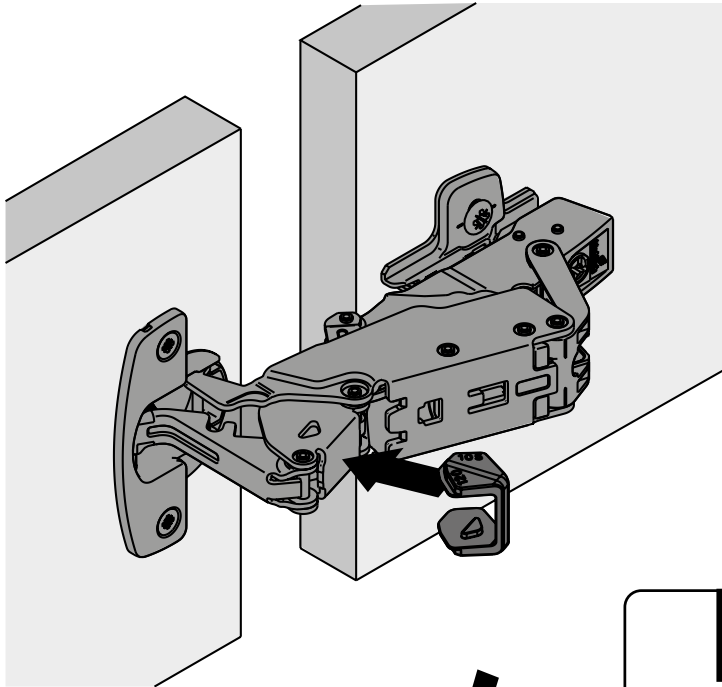


Opening angle limiter for Sensys wide angle hinges



Order no.	PU
9 090 864	1/50 ea.

- ▶ Limitation from 165° to 90° or 135°
- ▶ For reducing the opening angle of doors with adjoining elements
- ▶ This avoids damaging the front
- ▶ Plastic, anthracite



Opening angle limiter for Sensys aluminium frame hinges

Technik für Möbel

Hettich

Opening angle limiter for Sensys aluminium frame hinges



Order no.	PU
9 072 542	1/50 ea.

- ▶ Limitation from 95° to 85°
- ▶ For reducing the opening angle of doors with adjoining elements
- ▶ This avoids damaging the front
- ▶ Plastic, black

