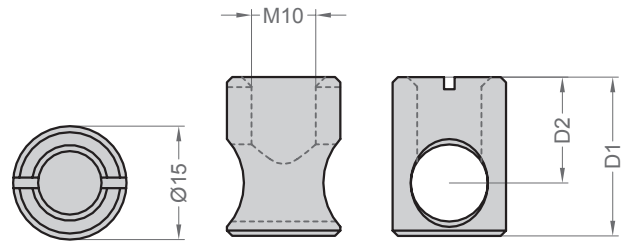




1

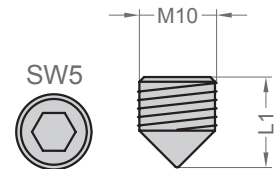
GEHÄUSE Ø15 HOUSING Ø15



Artikelnr. Item no.	Materialstärke Material thickness	D1	D2	VE PU
J03 029	20,0	17,0	10,0	1.000
J01 550	22,0	19,0	12,0	1.000
J01 551	24,0 - 28,0	21,0	14,0	500
J01 552	30,0	28,0	13,0	500

2

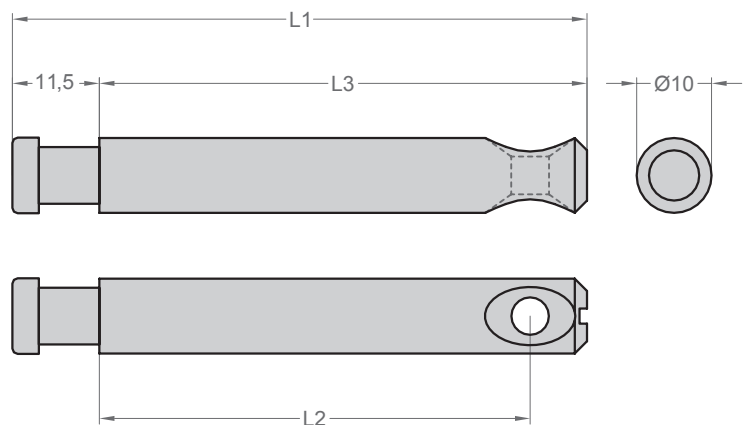
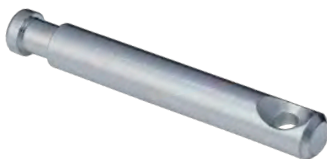
MADENSCHRAUBE SW5 GRUB SCREW



Artikelnr. Item no.	Gewinde Thread	L1	SW5	VE PU
J03 006	M10	10	x	1.000
J01 549	M10	12	x	1.000

10

ANKERDÜBEL HANDRAIL DOWEL Ø10 MM | M8



Artikelnr. Item no.	Gewinde Thread	L1	L3	L4	VE PU
J08 081	M8	76	64,5	60	1.000