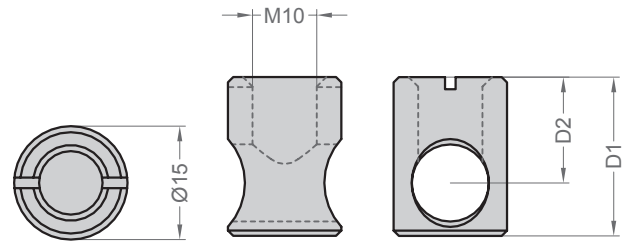


## 1 GEHÄUSE Ø15

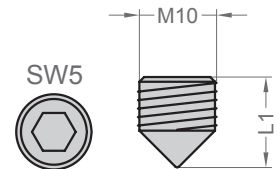
HOUSING Ø15



Artikelnr. Item no.	Materialstärke Material thickness	D1	D2	VE PU
J03 029	20,0	17,0	10,0	1.000
J01 550	22,0	19,0	12,0	1.000
J01 551	24,0 - 28,0	21,0	14,0	500
J01 552	30,0	28,0	13,0	500

## 2 MADENSCHRAUBE SW5

GRUB SCREW SW5



Artikelnr. Item no.	Gewinde Thread	L1	SW5	VE PU
J03 006	M10	10	x	1.000
J01 549	M10	12	x	1.000

## 3 STAHLDÜBEL

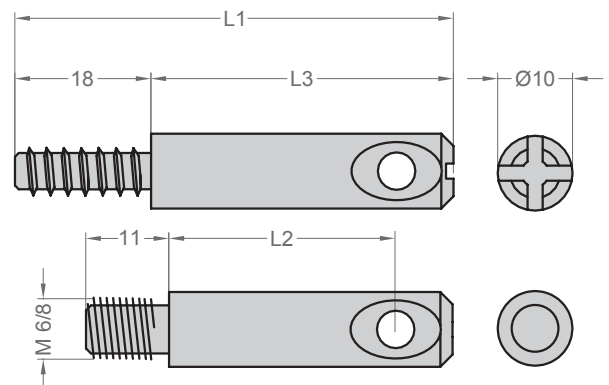
STEEL DOWEL



Euro-Gewinde  
Euro thread



Metrisches Gewinde  
Metric thread



Artikelnr. Item no.	Gewinde Thread 1	L1	L2	L3	VE PU
J01 085	M8	38,5	20,0	27,5	1.000
J01 086	M6	38,5	20,0	27,5	1.000
J01 088	Euro 5	58,0	33,0	40,0	500
J01 087	M8	48,5	30,0	37,5	500
J01 112	M6	48,5	30,0	37,5	500