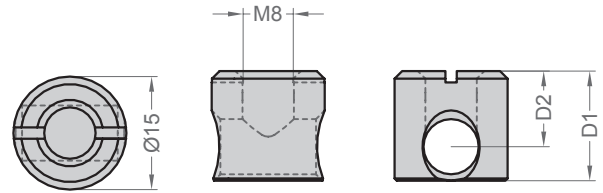




1

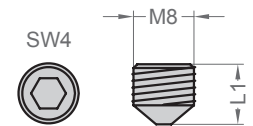
GEHÄUSE Ø15 HOUSING Ø15



Artikelnr. Item no.	Materialstärke Material thickness	D1 D1	D2 D2	VE PU
J03 251 K	16,0	12,0	7,5	1.000
J03 252	19,0	13,5	9,0	1.000
J03 253	21,0	14,5	10,0	1.000
J03 254	23,0	16,0	11,5	500
J03 255	29,0	19,0	14,5	500

2

MADENSCHRAUBE SW4 GRUB SCREW SW4



Artikelnr. Item no.	Materialstärke Material thickness	Gewinde Thread	L1 L1	SW4	VE PU
J03 244	16,0	M8	5,5	x	1.000
J03 245	19,0	M8	7,0	x	1.000
J03 246	21,0	M8	8,0	x	1.000
J03 247	23,0	M8	9,5	x	1.000
J03 248	29,0	M8	12,5	x	1.000

3

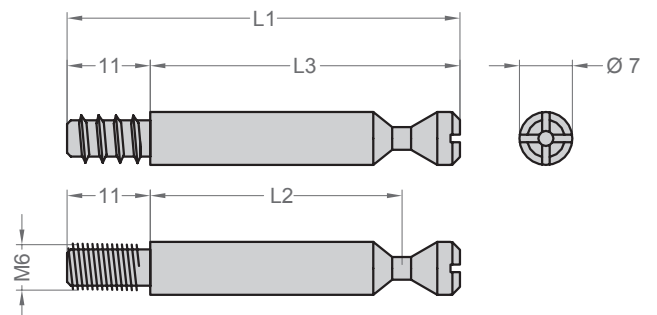
STAHLDÜBEL STEEL DOWEL



Euro-Gewinde
Euro thread



Metrisches Gewinde
Metric thread



Artikelnr. Item no.	Gewinde Thread	L1 L1	L2 L2	L3 L3	VE PU
J03 311	M6	42,0	24,0	31,0	1.000
J03 310	Euro 5	42,0	24,0	31,0	1.000
J03 249	M6	52,0	34,0	41,0	1.000
J03 250	Euro 5	52,0	34,0	41,0	1.000
J03 342	Euro 5 x 7,5 mm	48,5	34,0	41,0	1.000