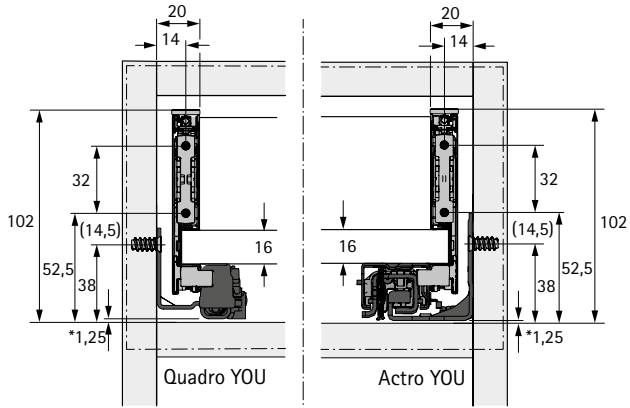
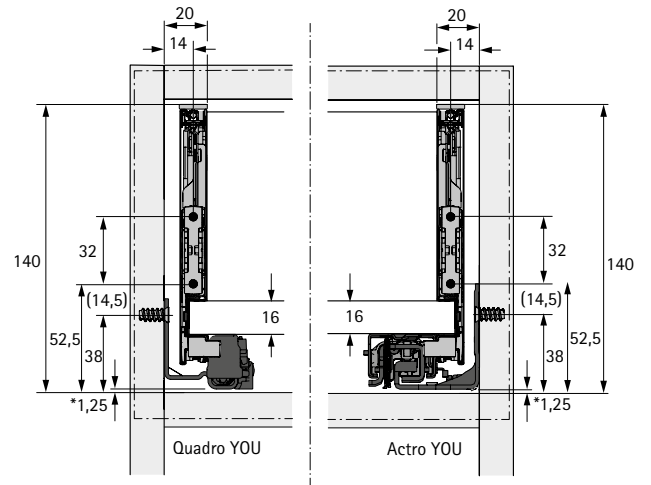


H 101



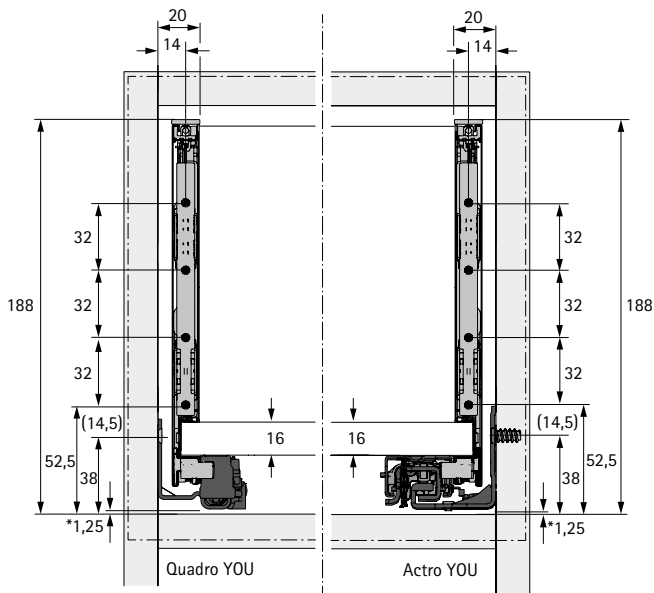
\* Push to open Silent

H 139



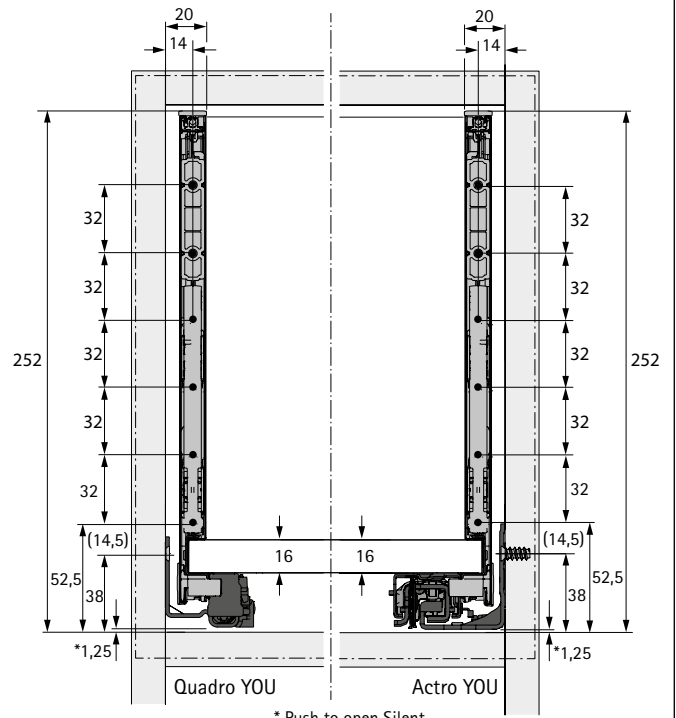
\* Push to open Silent

H 187

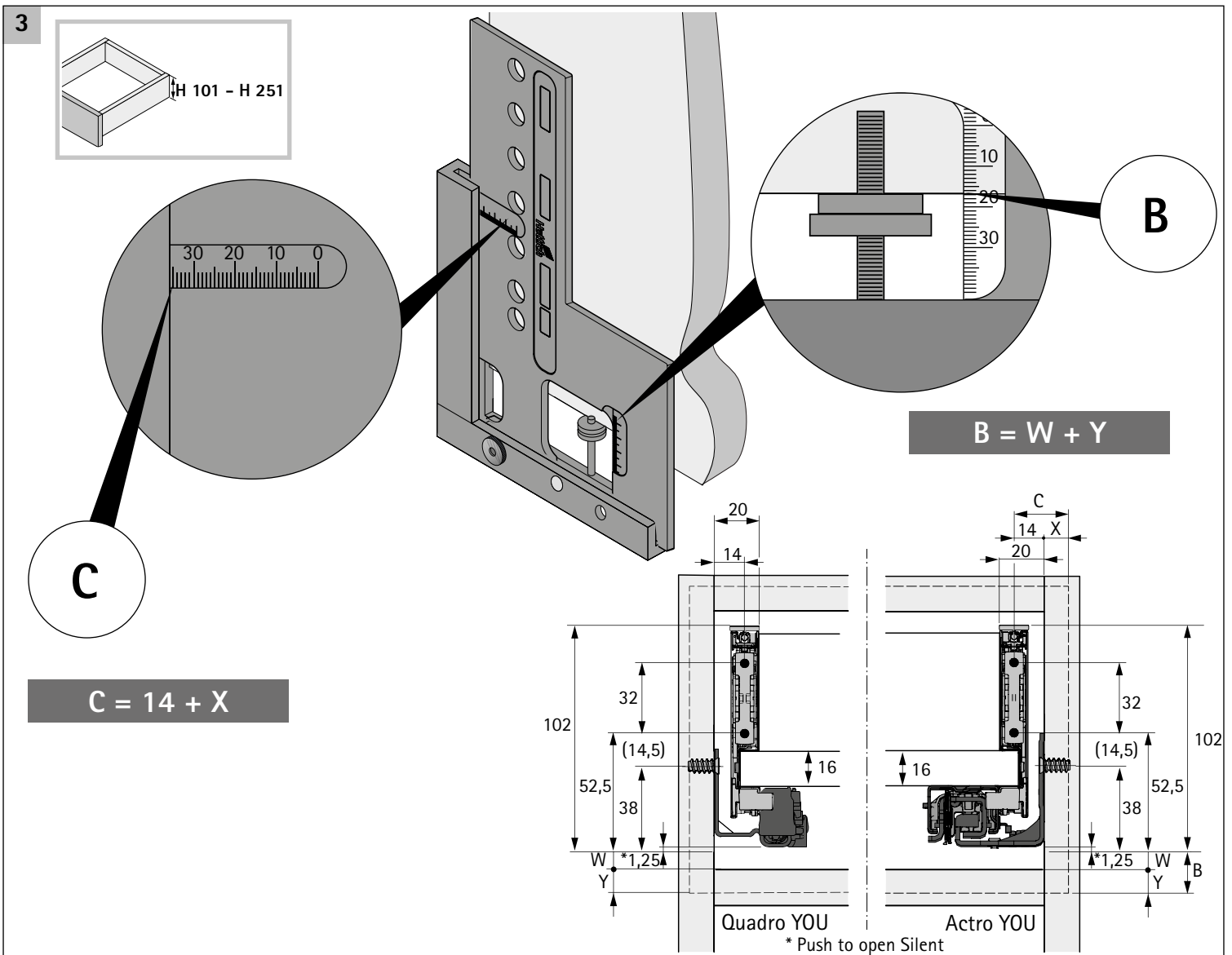
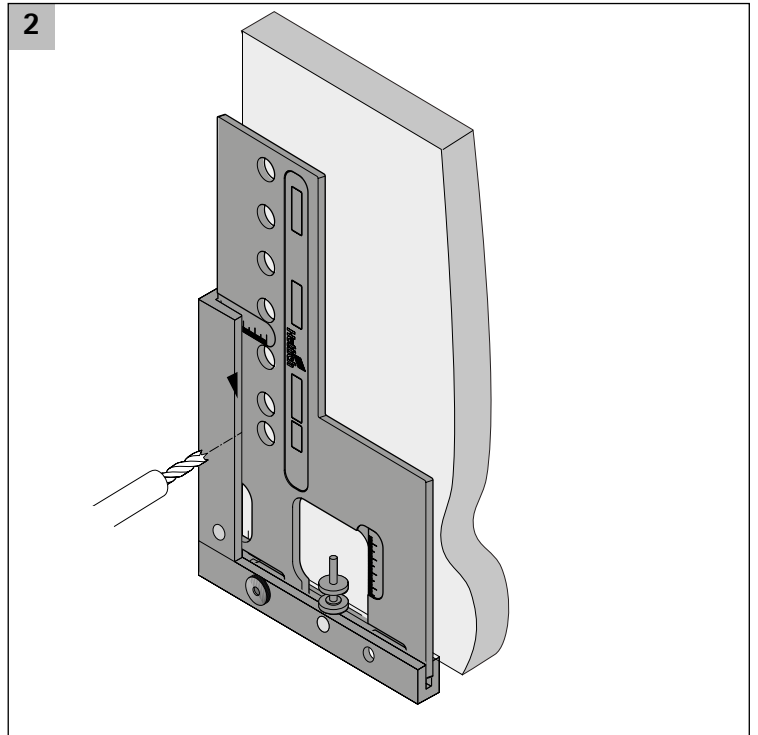
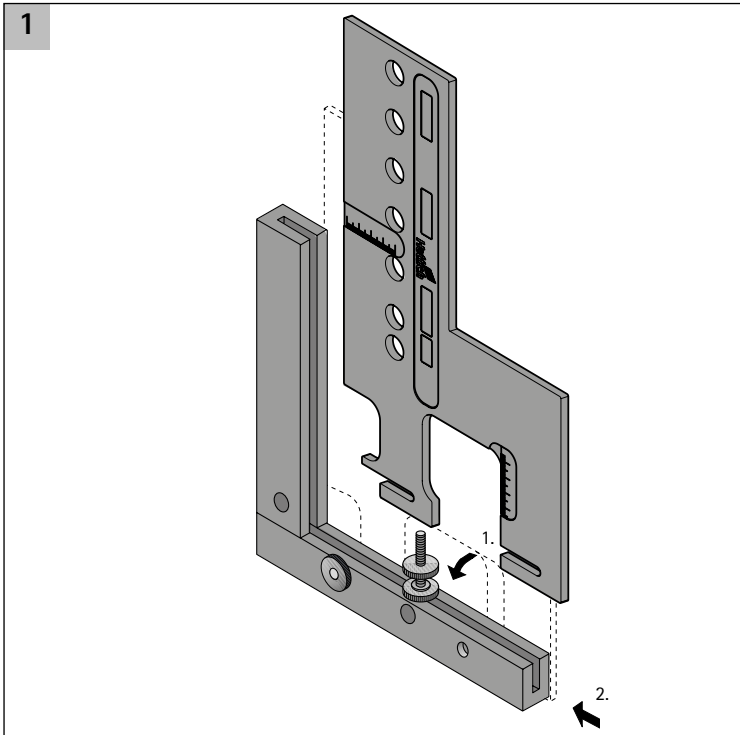


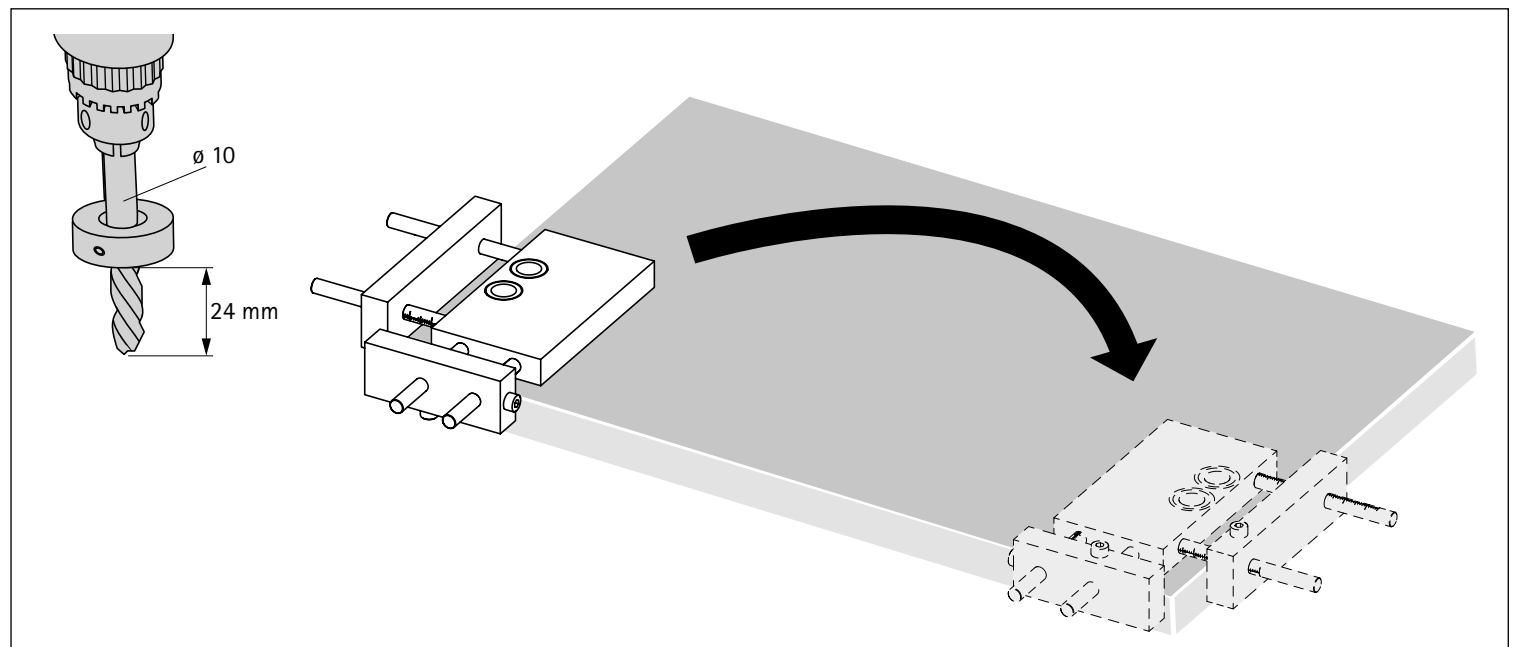
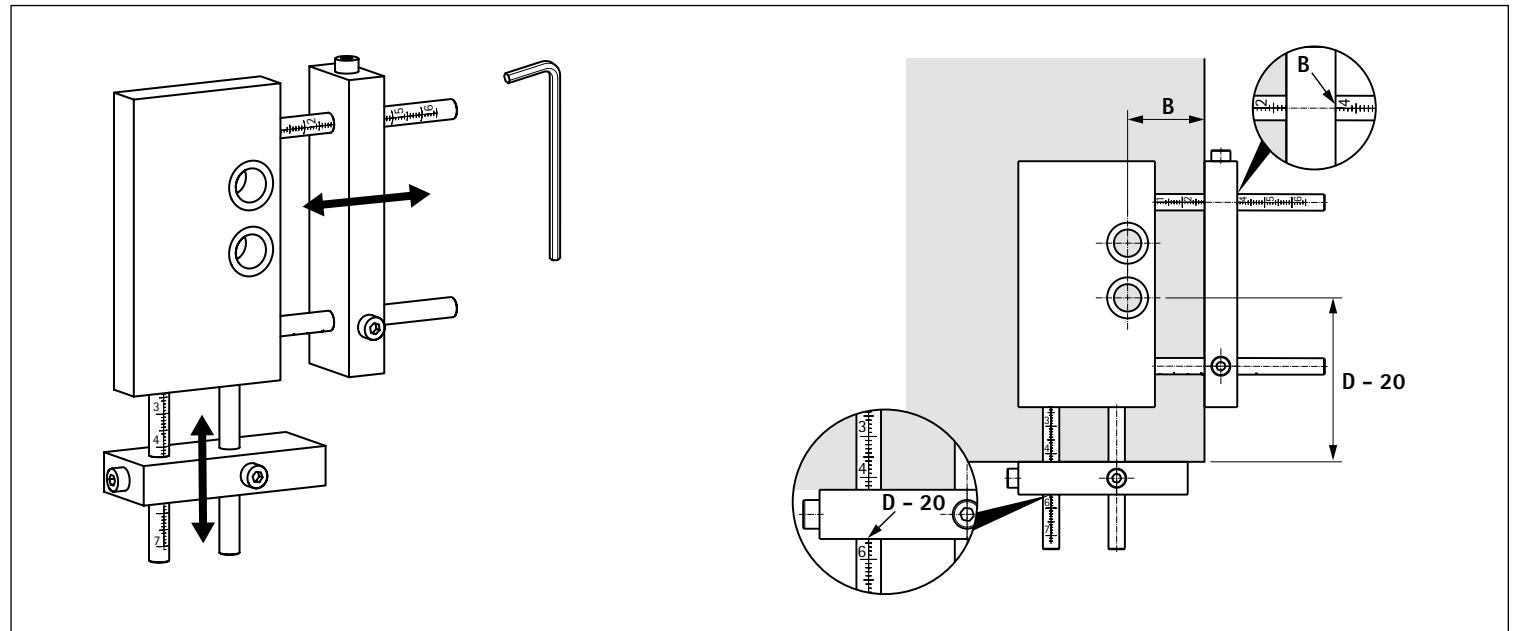
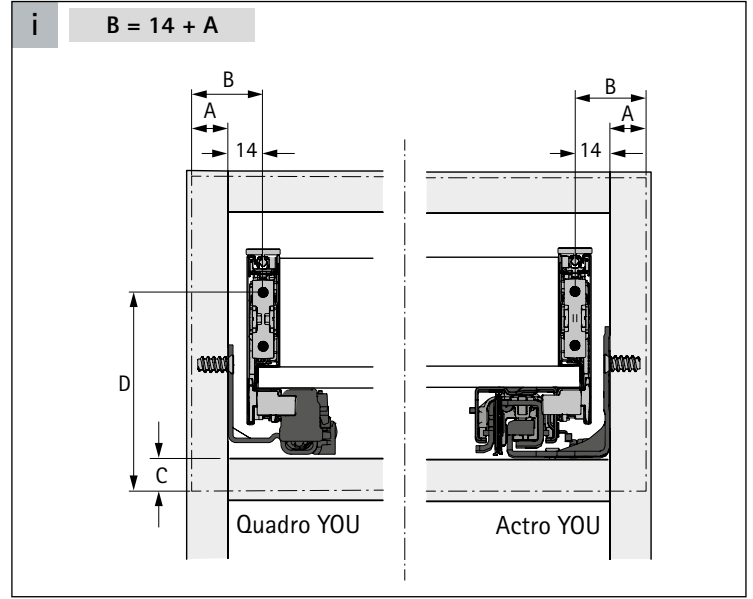
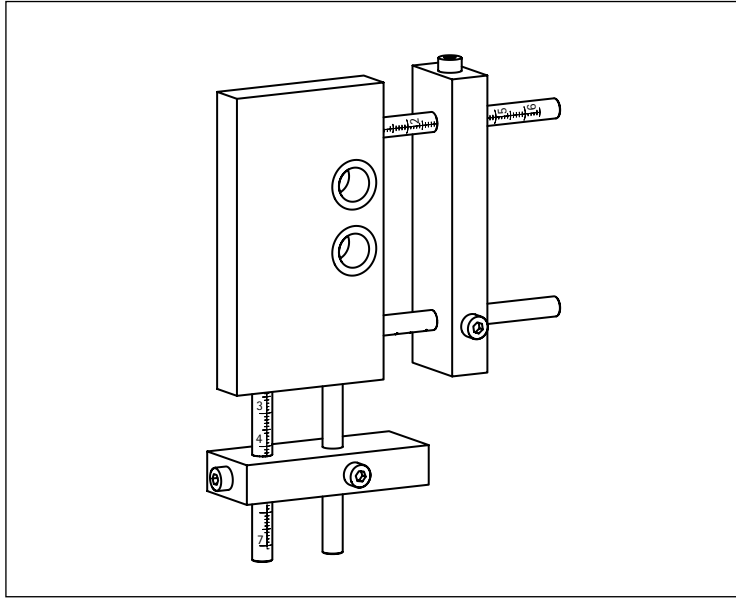
\* Push to open Silent

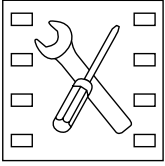
H 251



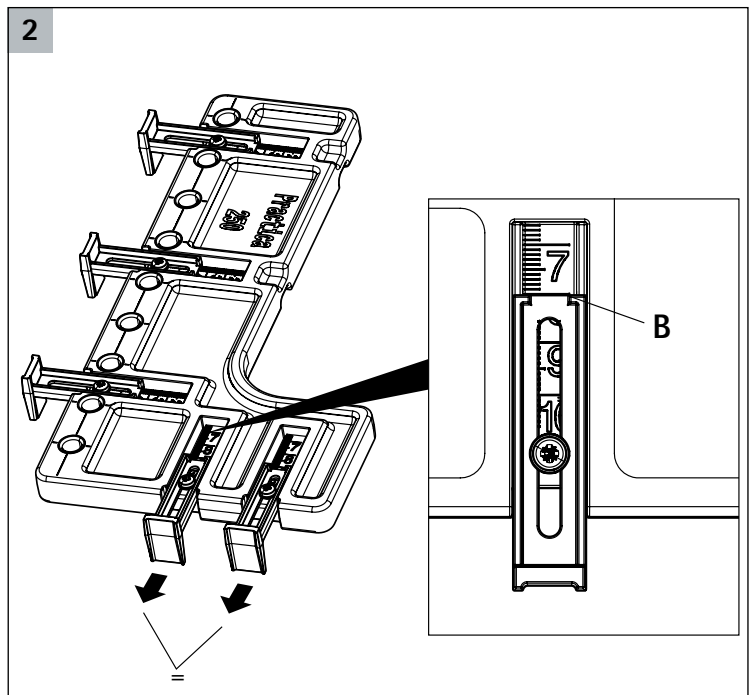
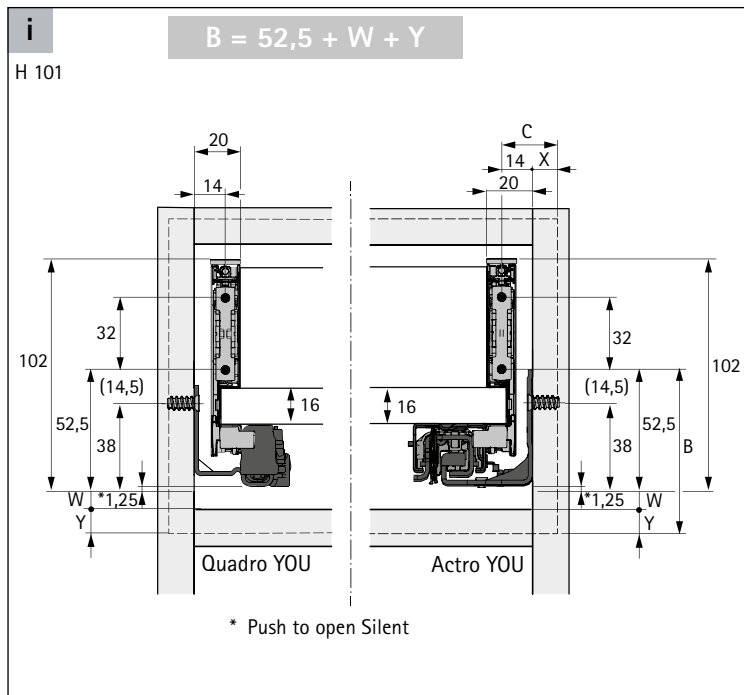
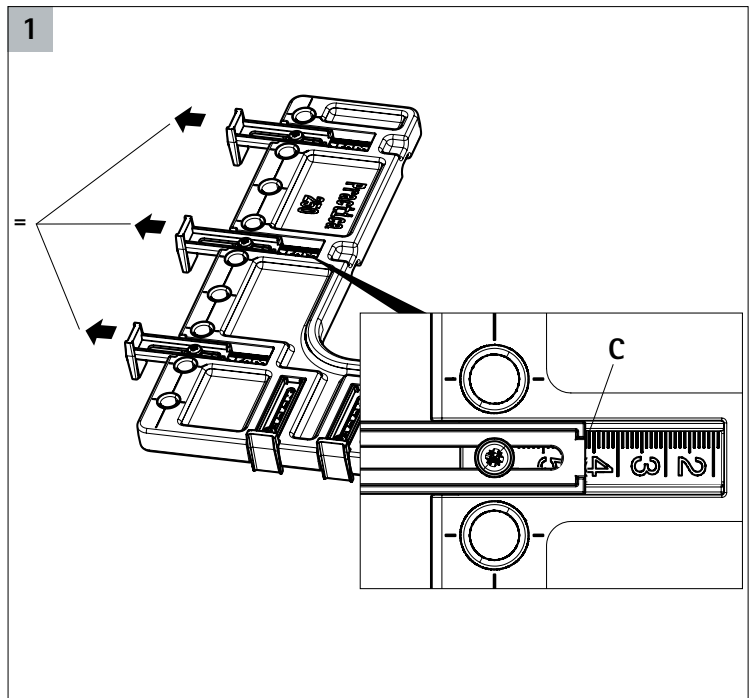
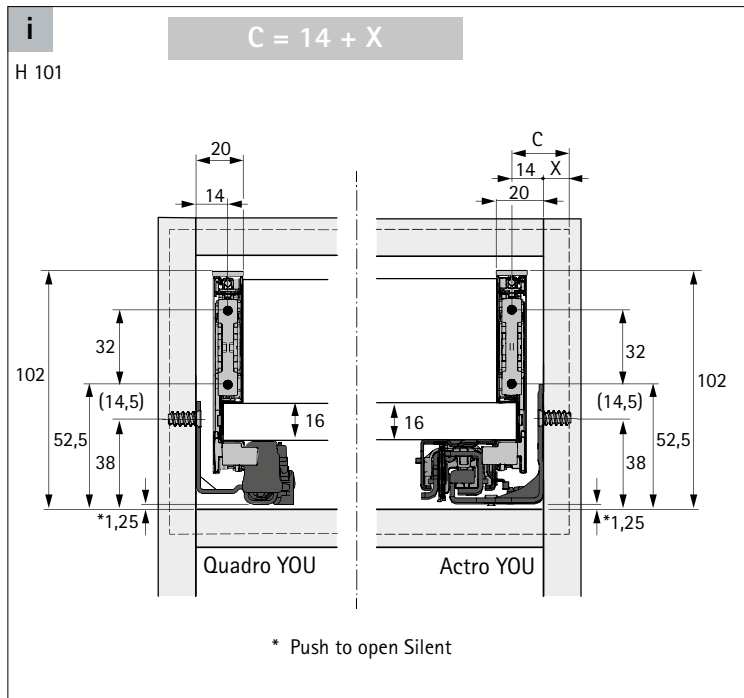
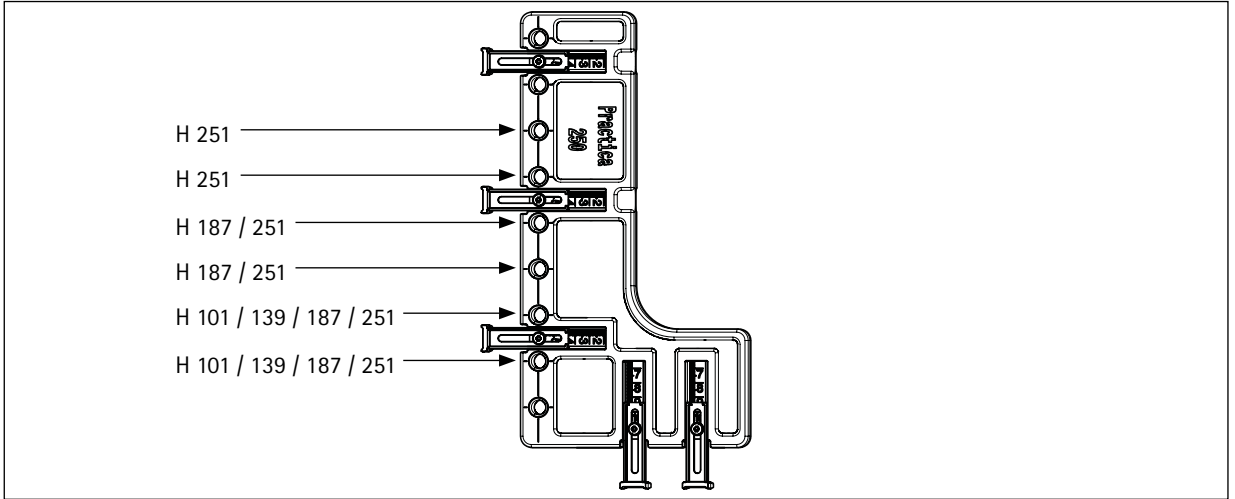
\* Push to open Silent



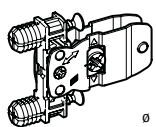




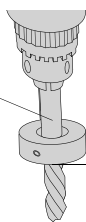
<http://www.hettich.com/short/6879fc>



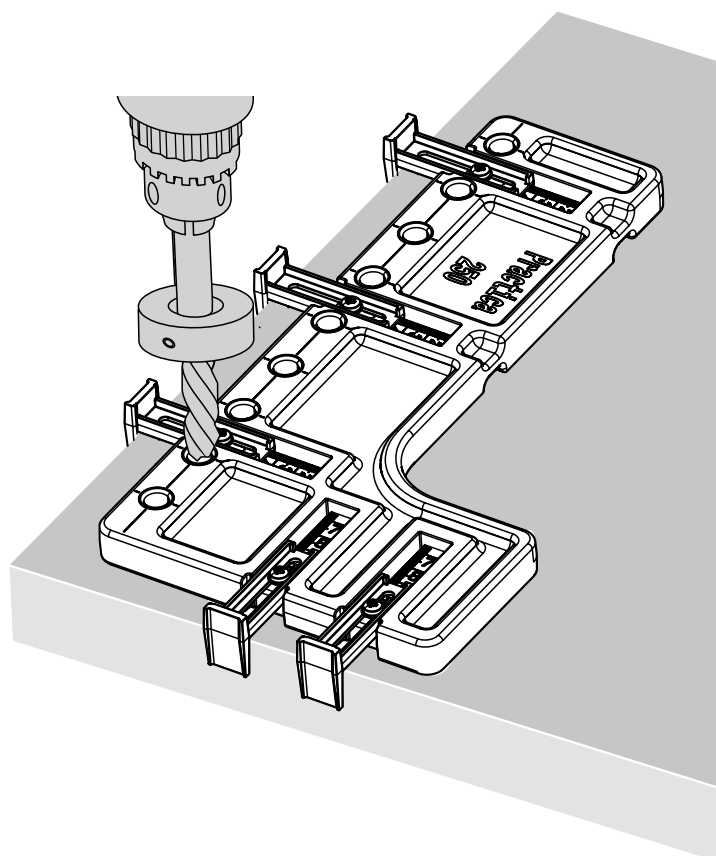
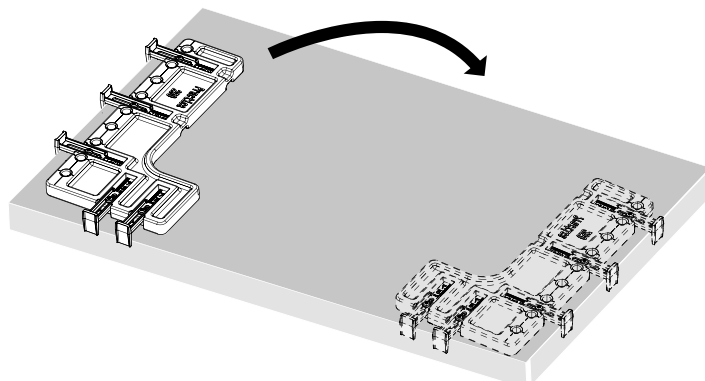
3a



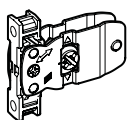
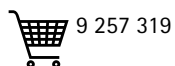
ø 10



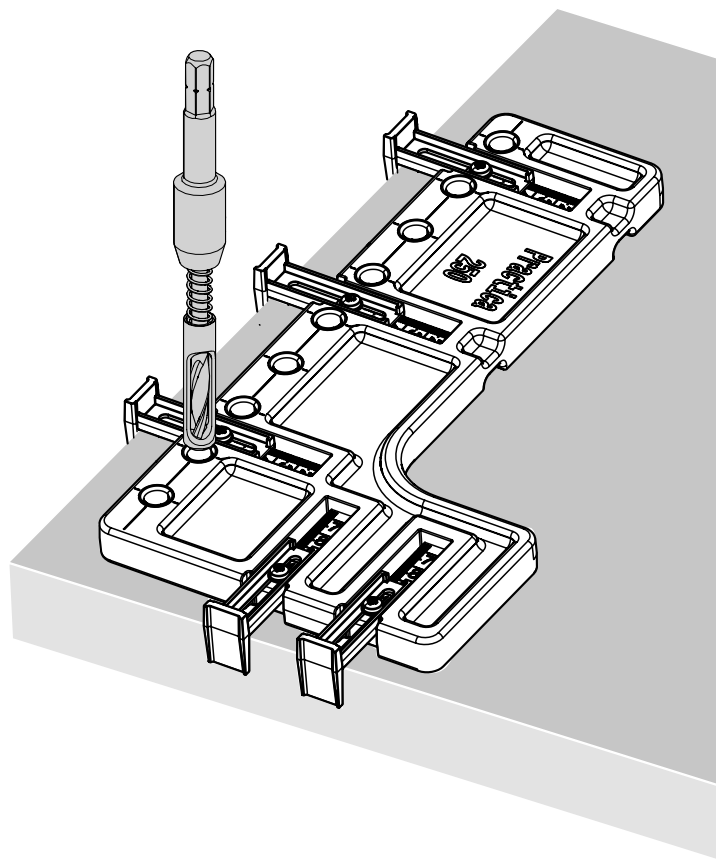
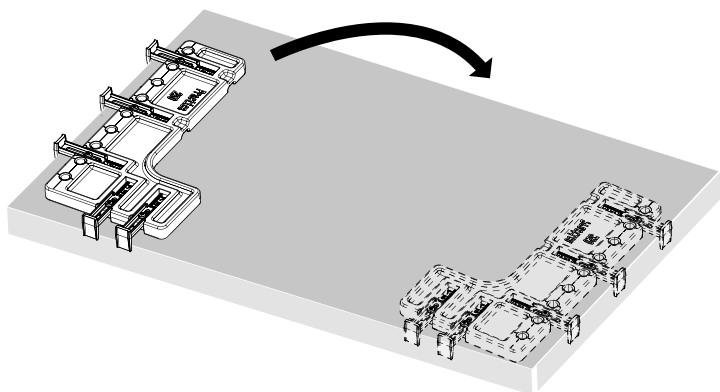
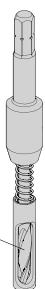
29 mm

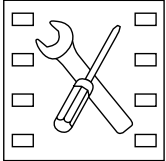
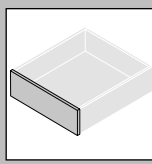


3b



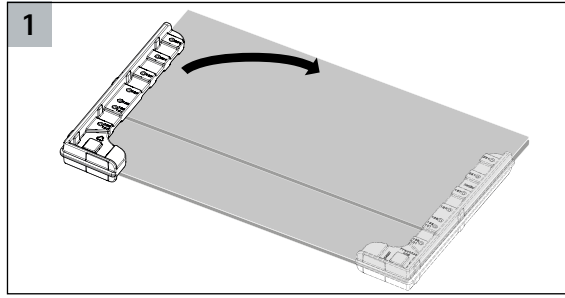
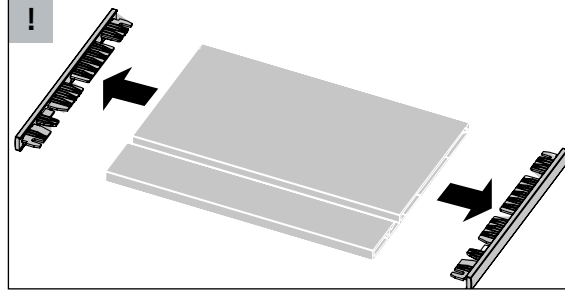
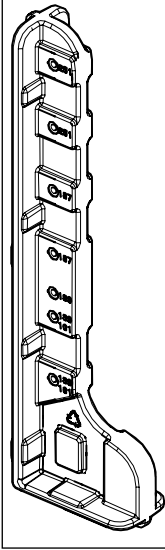
ø 2,5



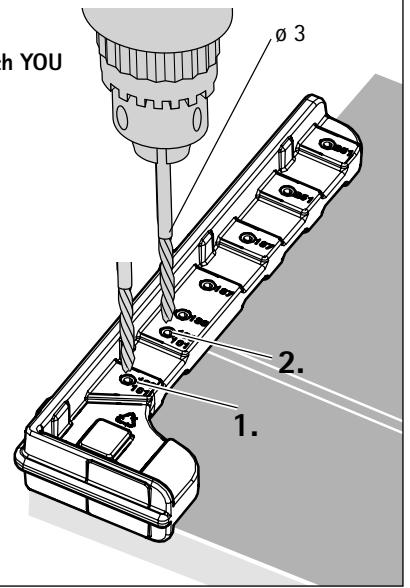


<http://www.hettich.com/short/fb40ed>

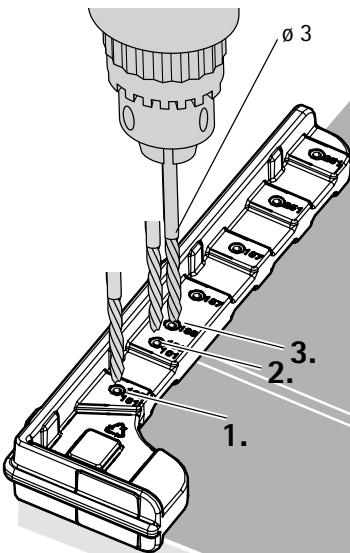
9254997



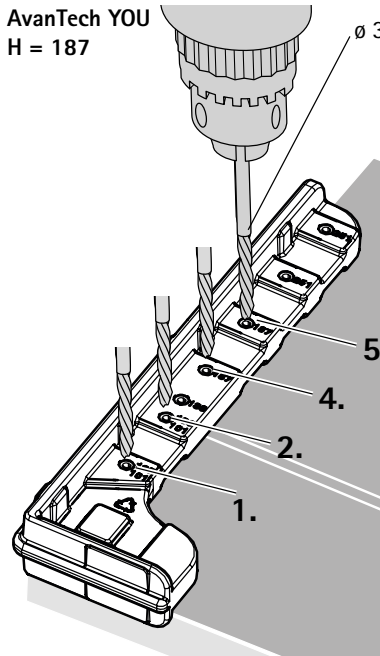
**1.2** AvanTech YOU  
H = 101



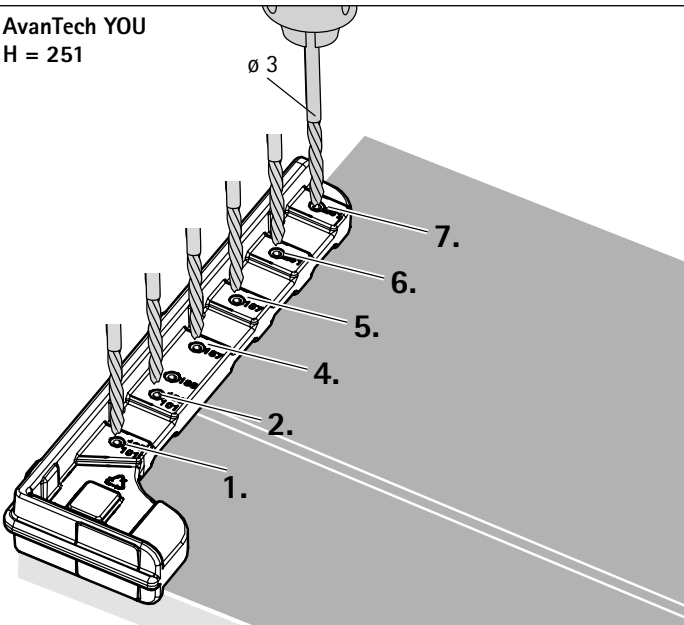
**1.3** AvanTech YOU  
H = 139



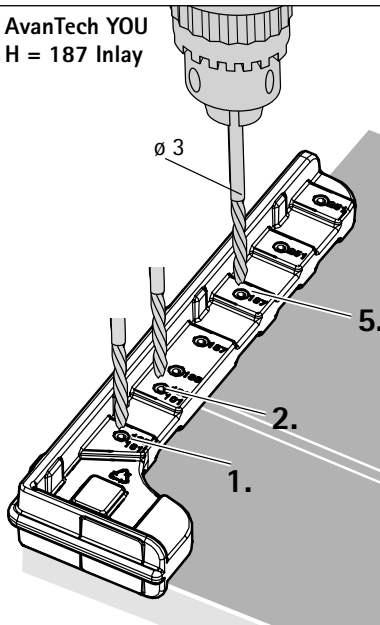
**1.4** AvanTech YOU  
H = 187

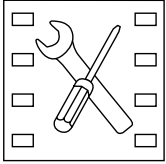
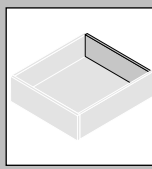


**1.5** AvanTech YOU  
H = 251

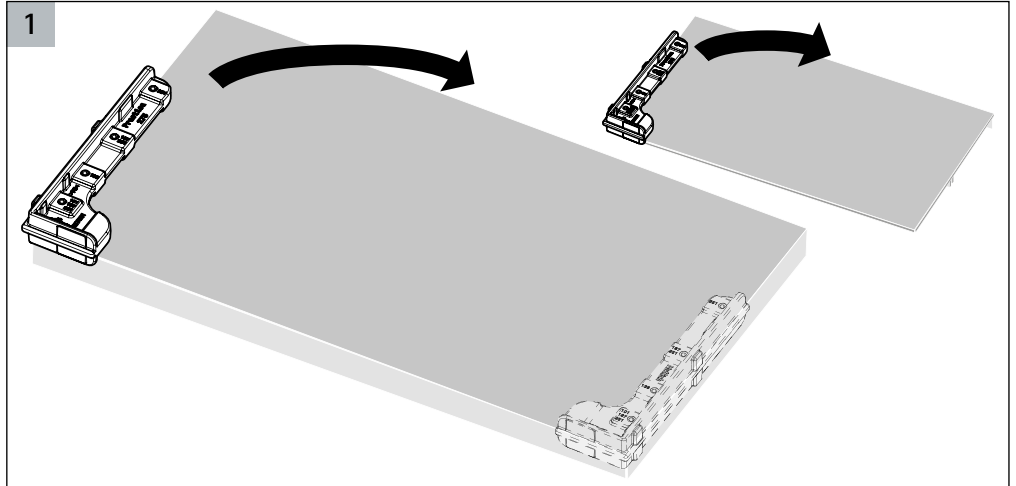
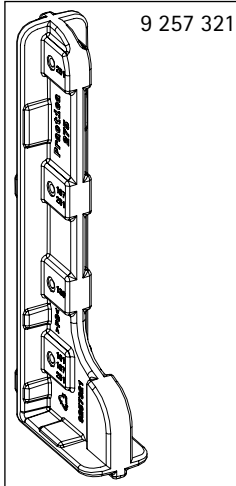


**1.6** AvanTech YOU  
H = 187 Inlay

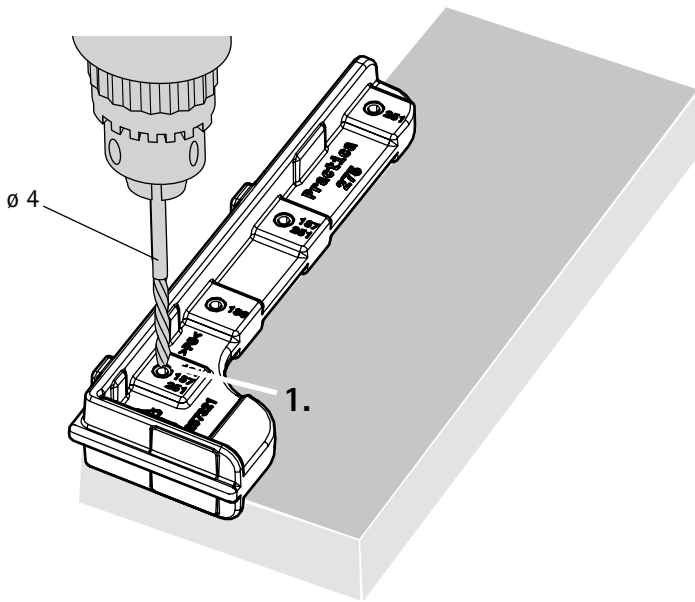




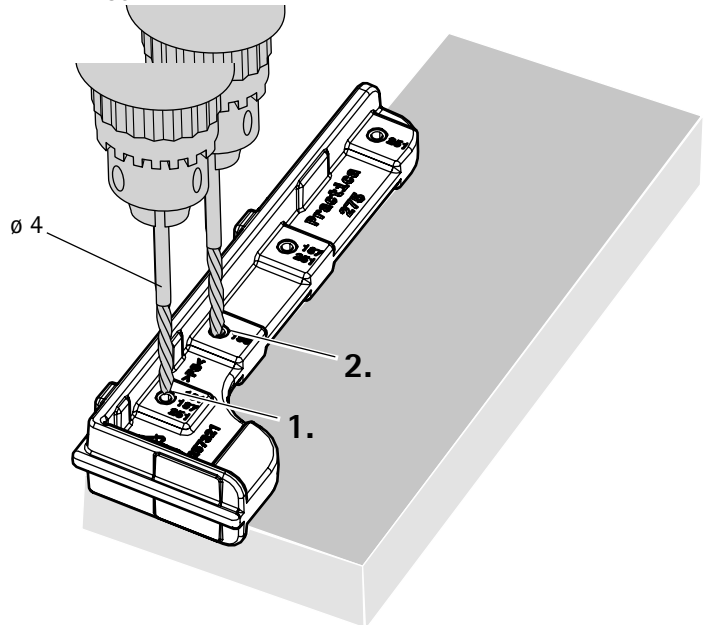
<http://www.hettich.com/short/4ba300>



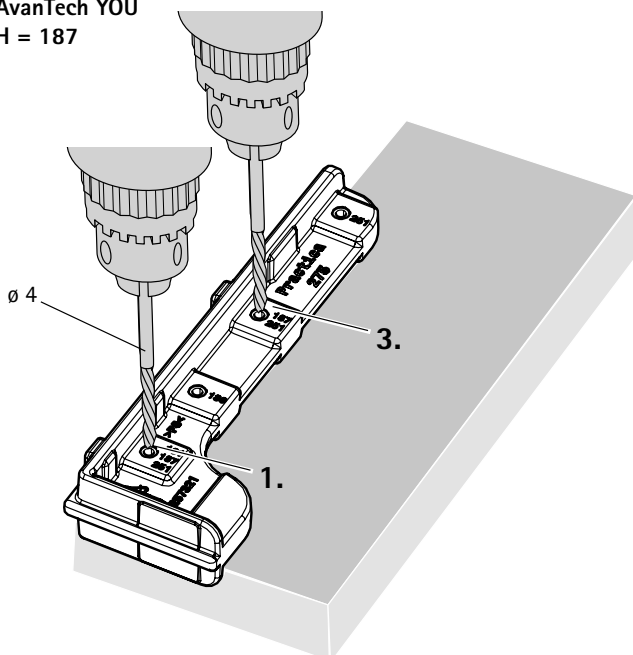
**2.1** AvanTech YOU  
H = 101



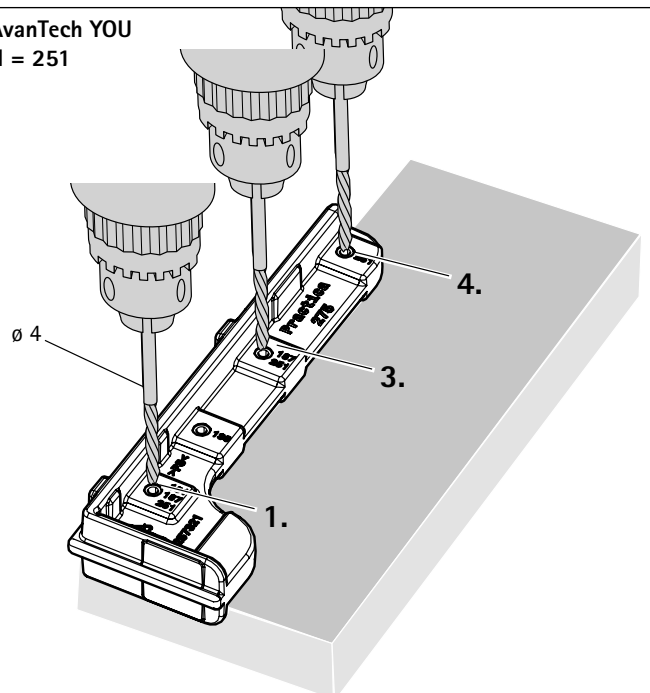
**2.2** AvanTech YOU  
H = 139

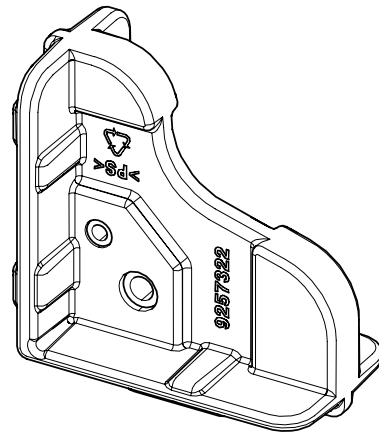


**2.3** AvanTech YOU  
H = 187



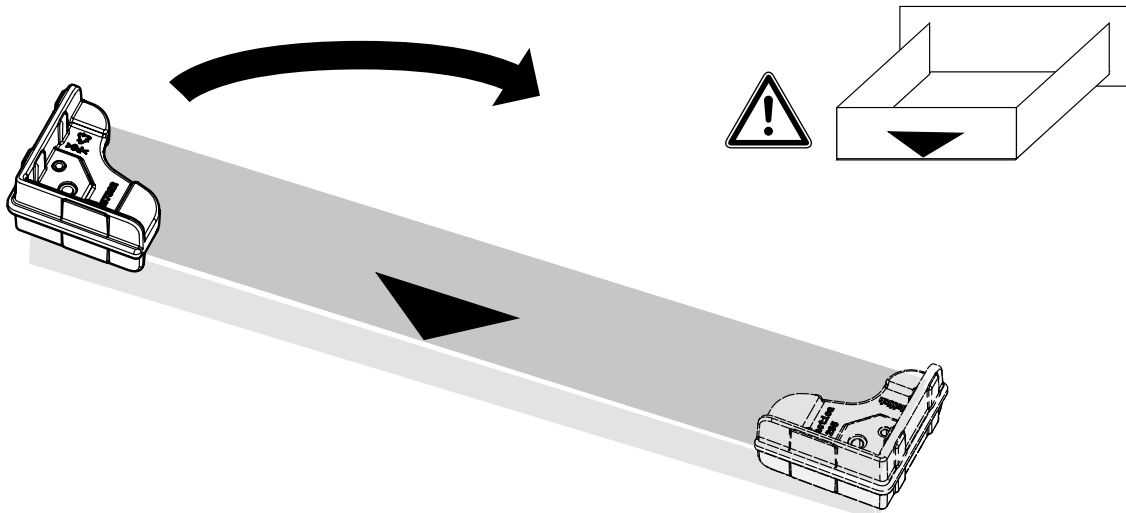
**2.4** AvanTech YOU  
H = 251



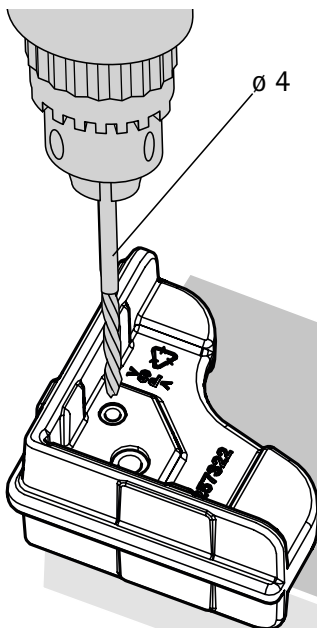


9 257 322

1



2 AvanTech YOU  
H = 77



3 AvanTech YOU  
H = 77

