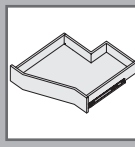


Push to open Silent

Flexible adapter for synchronisation



Technik für Möbel



R = L

9 236 718

2+2

www.hettich.com/short/abebab

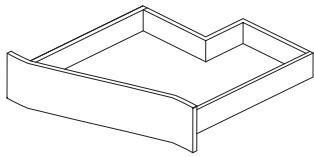
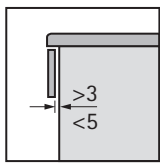
	KD	EB	X
QV6 / QV6+ InnoTech Atira	19	9,5	240
	18	10,5	242
	16	12,5	246
Actro / ArciTech	19	12	253
	18	13	255
	16	15	259

$V \text{ max.} = \tan 25^\circ \times (LB - X)$

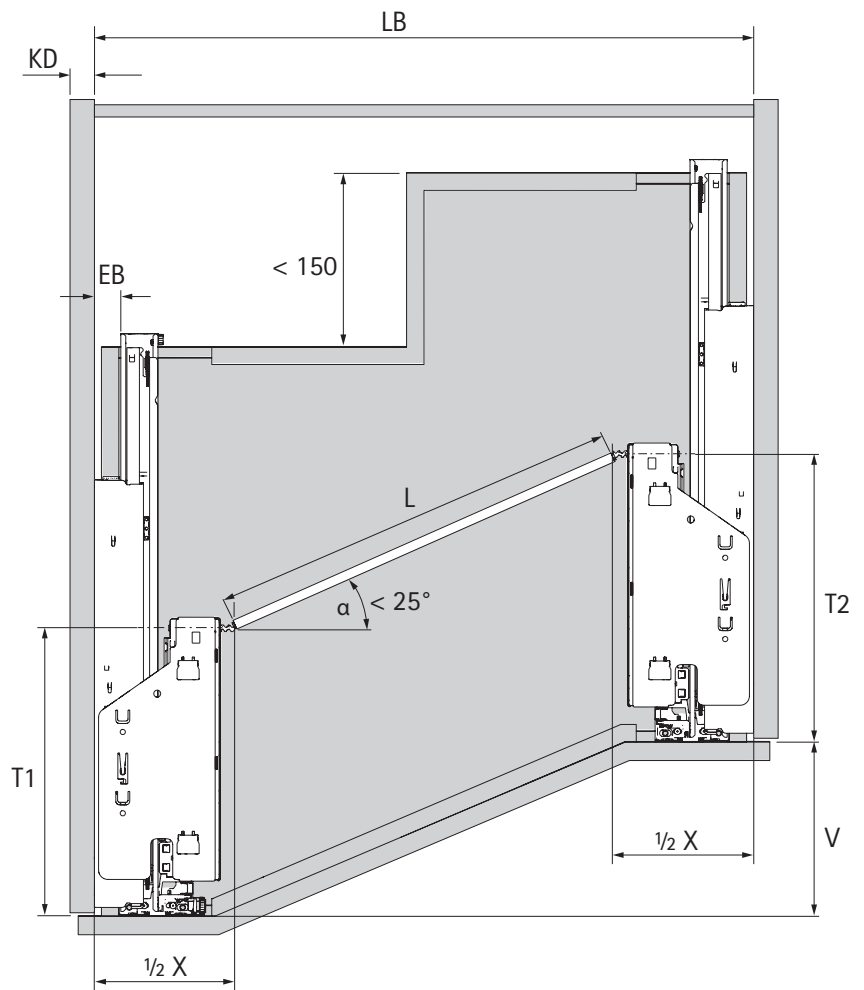
$\alpha = \arctan (V / (LB - X))$

$$L = \sqrt{(LB - X)^2 + V^2}$$

1. CLICK!
2. CLICK!
3. CLICK!
4. CLICK!



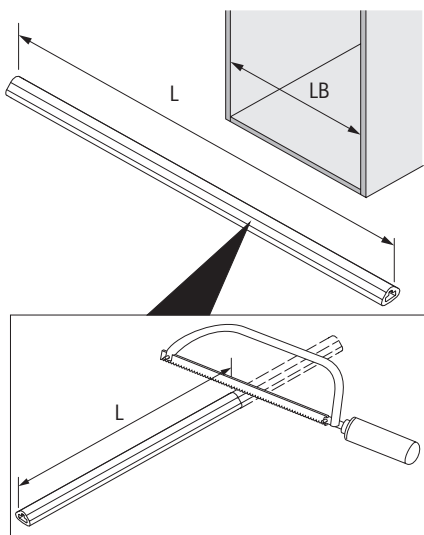
	EB	X
Quadro 4D	22	222
Quadro 4D USA	23	224
Quadro YOU	21	220
Actro YOU	21	241
Actro 5D	23	245



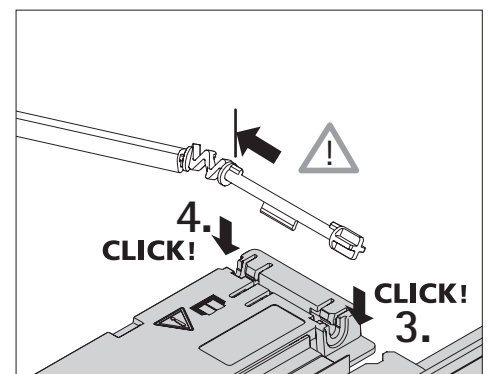
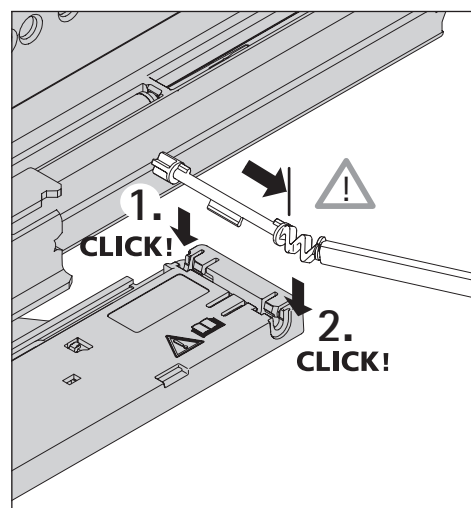
$$V \text{ max.} = \tan 25 \times (LB - X) - T2 + T1$$

$$\alpha = \arctan ((T2 + V - T1) / (LB - X))$$

	Quadro 4D		Quadro 4D USA		Quadro YOU		Actro YOU	Actro 5D
NL	250 - 320 mm	350 - 600 mm	12"	15" - 24"	250 - 320 mm	350 - 600 mm	-	-
T1	0	71 mm	0	2,8"	0	71 mm	0	0
T2	0	71 mm	0	2,8"	0	71 mm	0	0



$$L = \sqrt{(LB - X)^2 + (T2 + V - T1)^2}$$



Push to open Silent

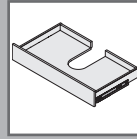
Umlenkung Synchronisation / Synchronisation redirection

Actro YOU, Quadro YOU - EB 21

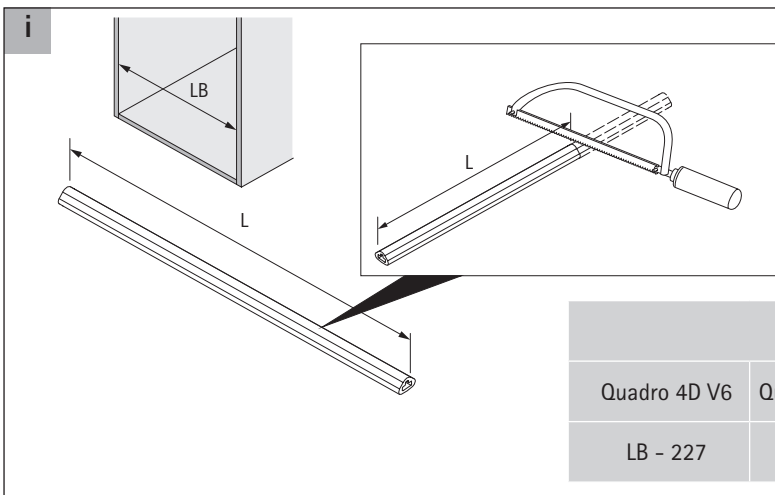
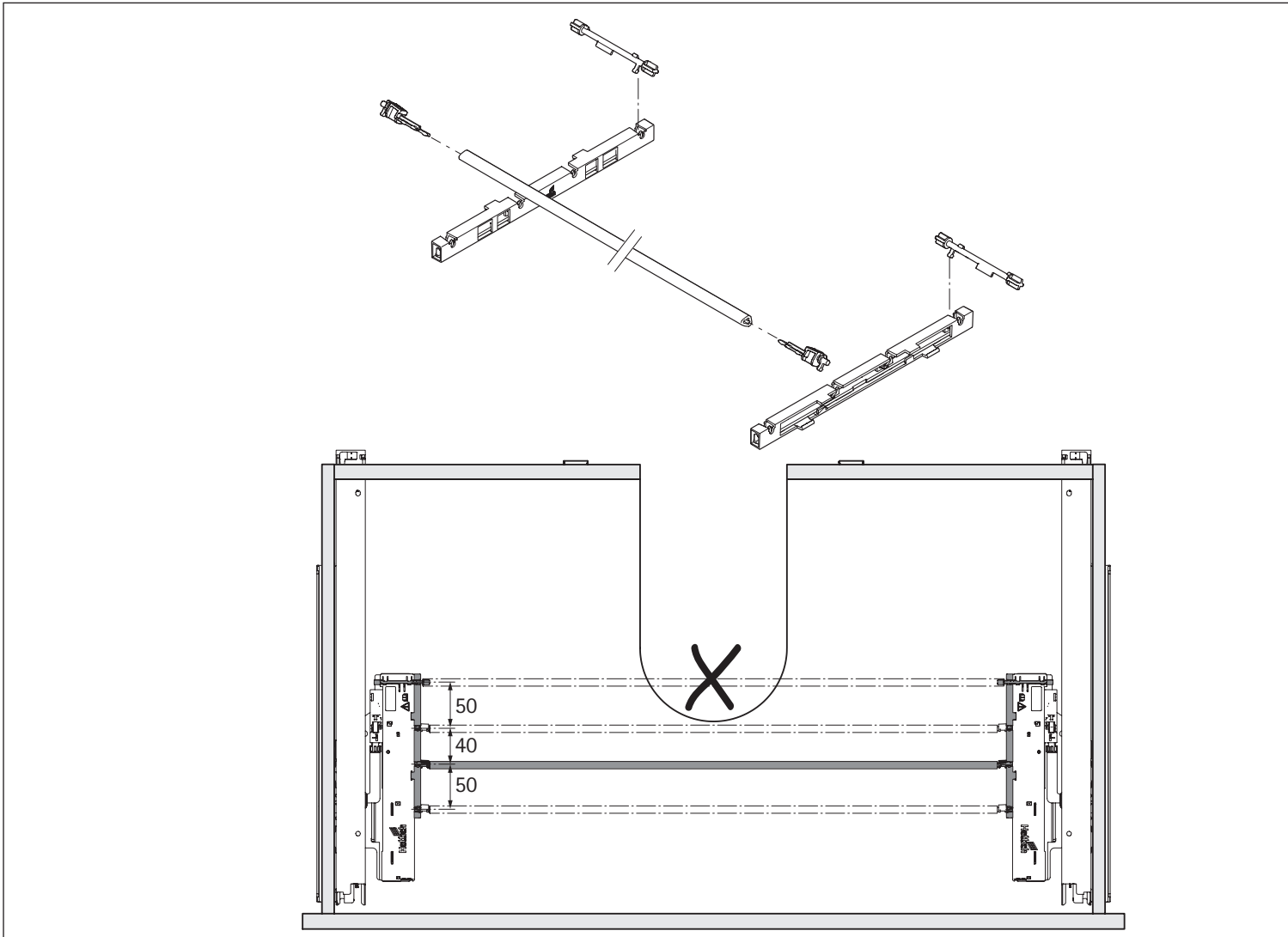
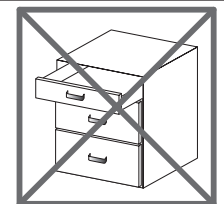
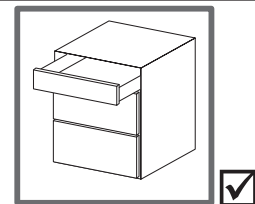
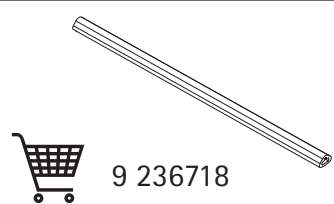
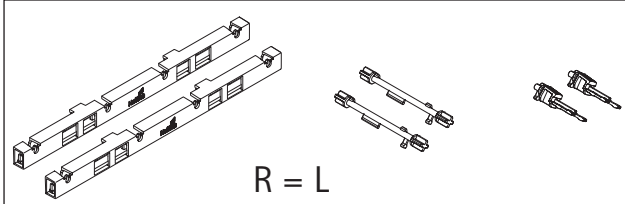
Actro 5D - EB 23

Quadro 4D V6 - EB 22

Quadro 4D V6 US - EB 23



Technik für Möbel



L				
Quadro 4D V6	Quadro 4D V6 US	Quadro YOU	Actro YOU	Actro 5D
LB - 227	LB - 229	LB - 225	LB - 247	LB - 250

