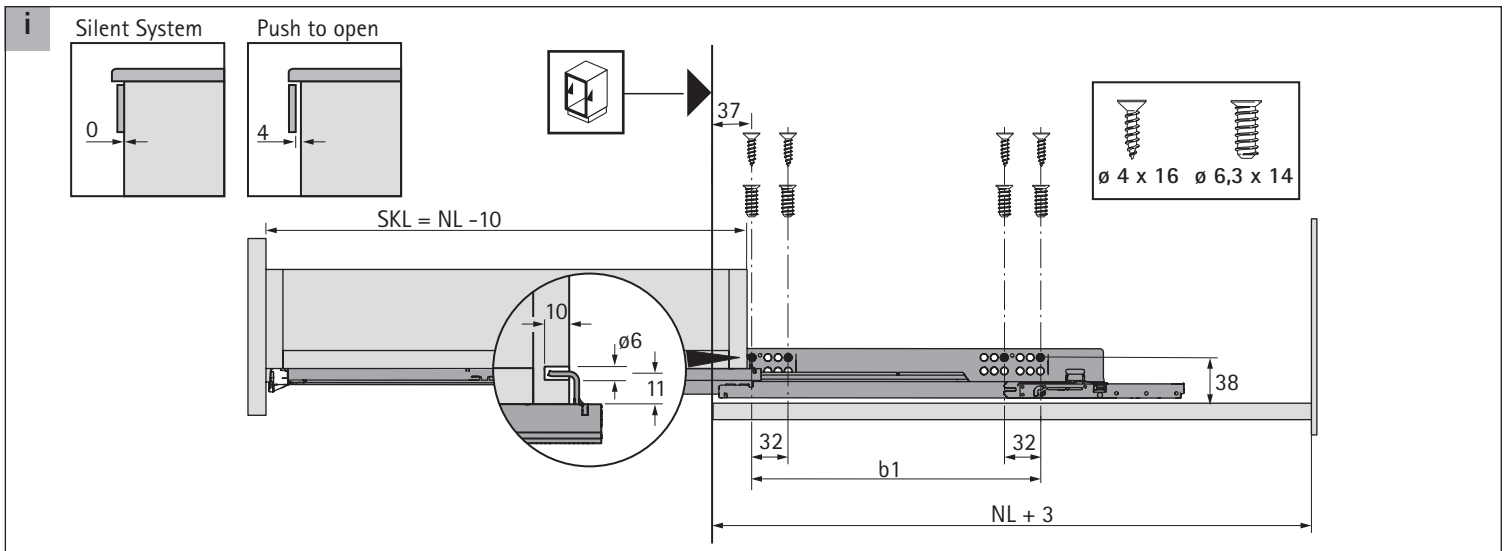
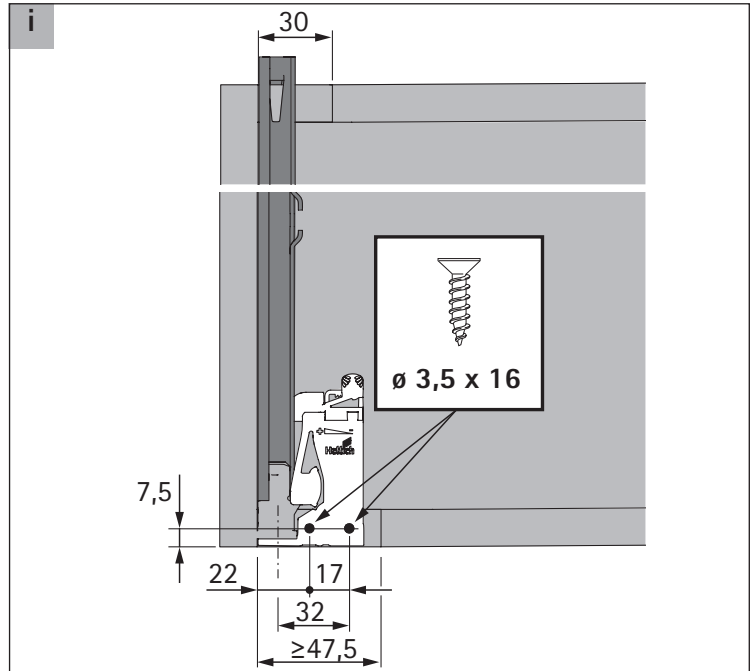
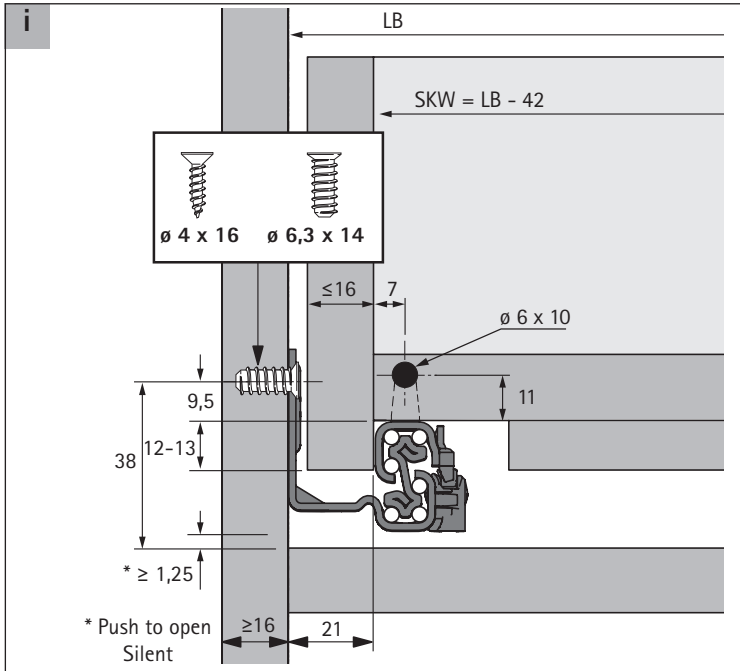
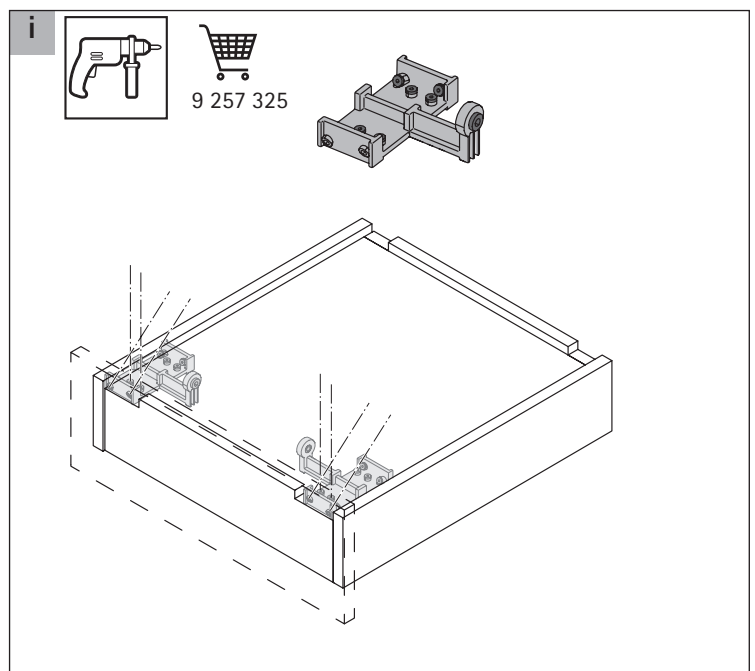


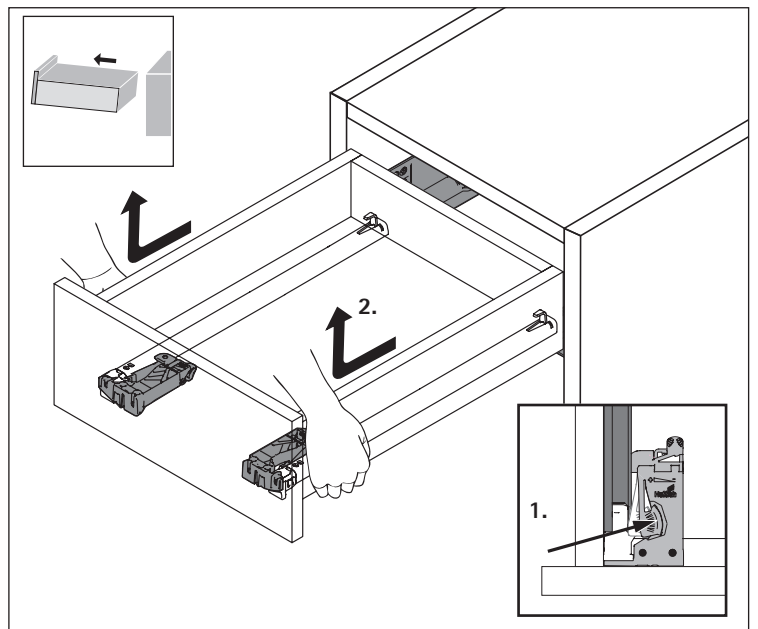
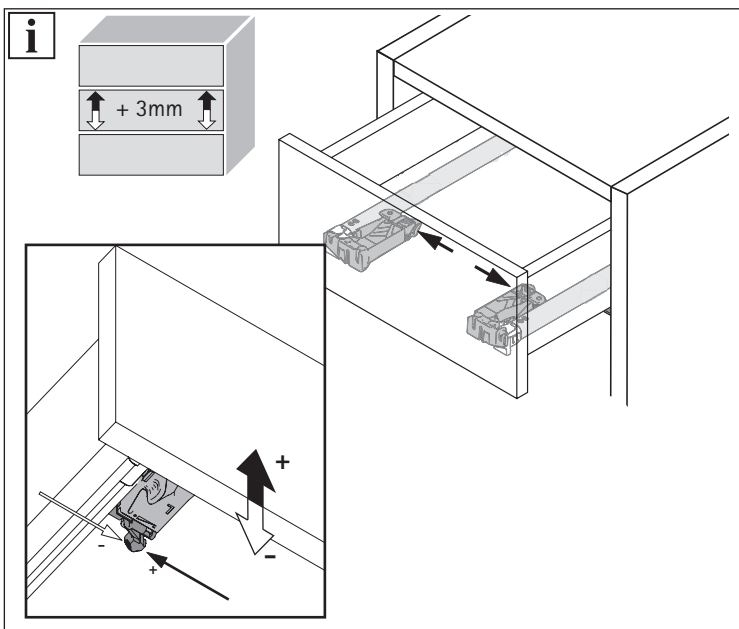
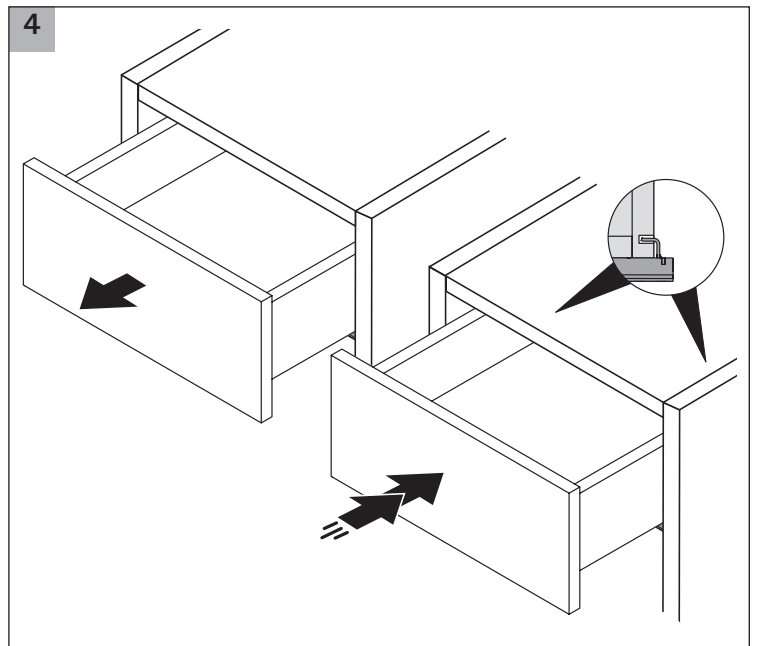
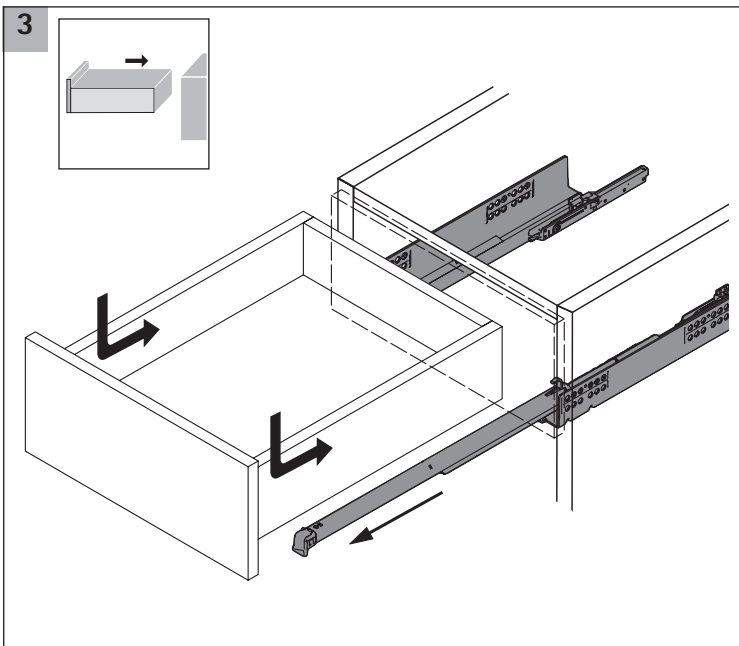
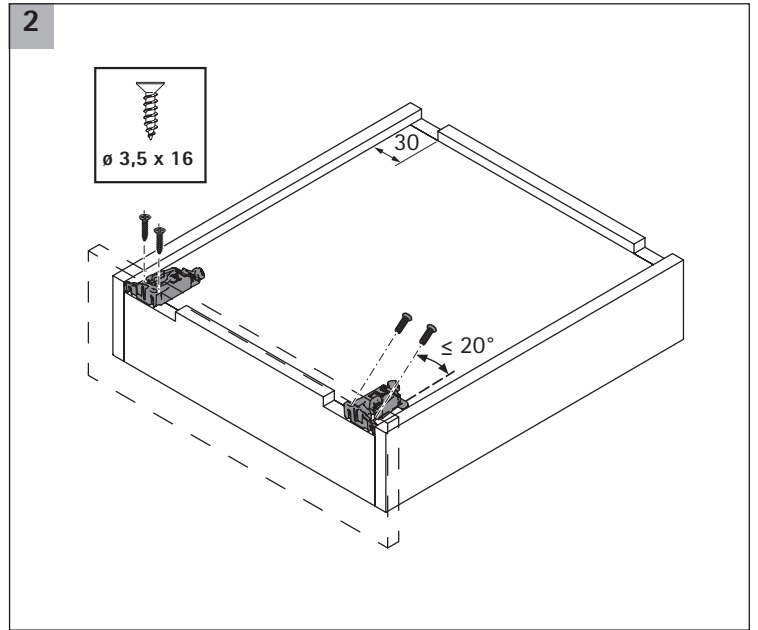
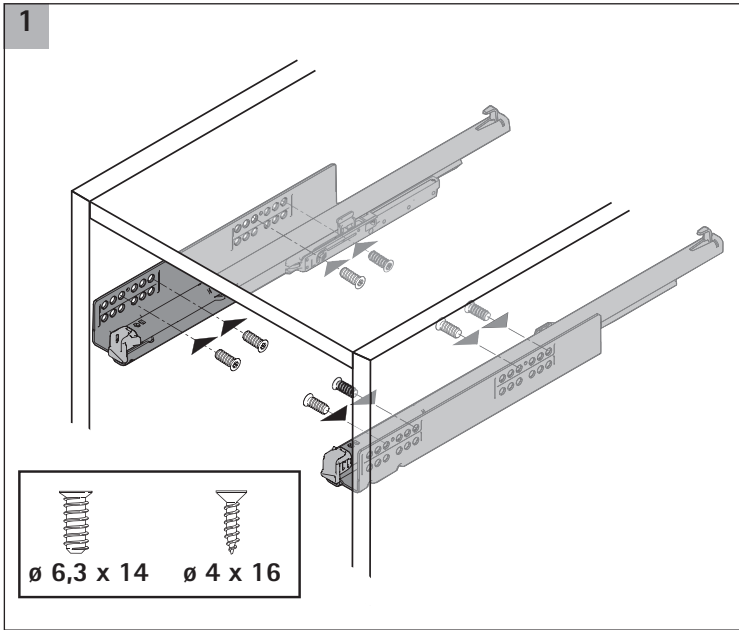
Quadro YOU Silent System / Push to open Slide-on, EB 21 (≤ 16 mm)

Technik für Möbel



NL mm	b mm	XS 10 kg	M 30 kg
250	160		
270	160		
300	160		
320	224		
350	224		
380	224		
400	224		
420	224		
450	256		
480	256		
500	256		
520	256		
550	256		
600	256		

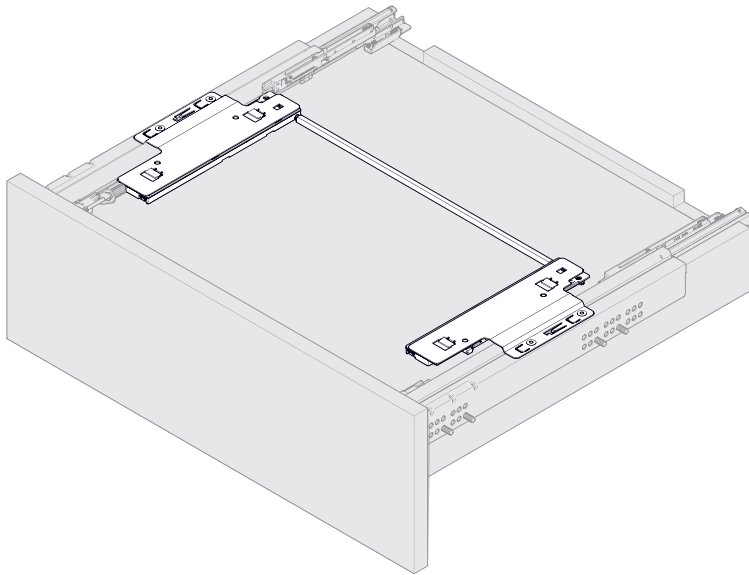
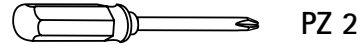




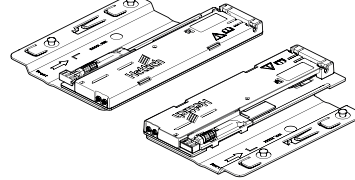
Quadro YOU

Push to open Silent

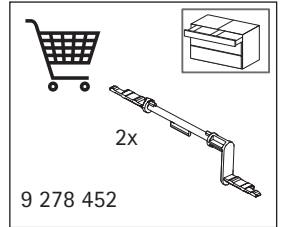
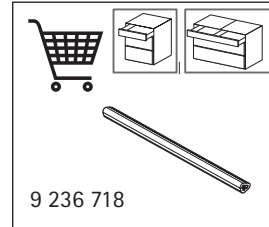
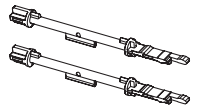
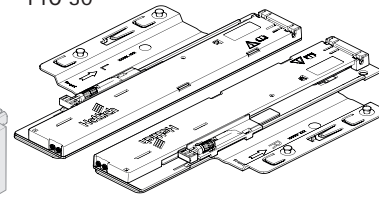
Technik für Möbel



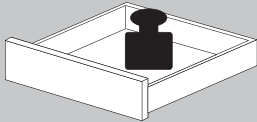
PTO 10/20



PTO 30



i 1

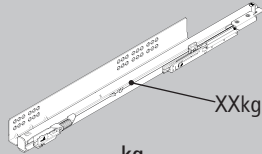


kg

3 - 10

8 - 20

10 - 30

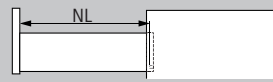


kg

10

30

30



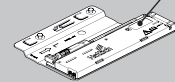
mm

250 - 350

250 - 600

350 - 600

PTO 10/20/30

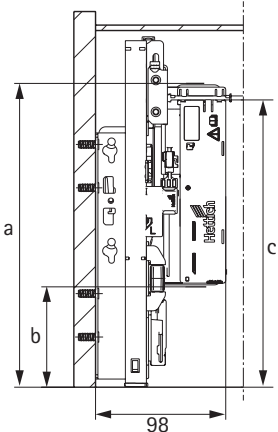


PTO 10

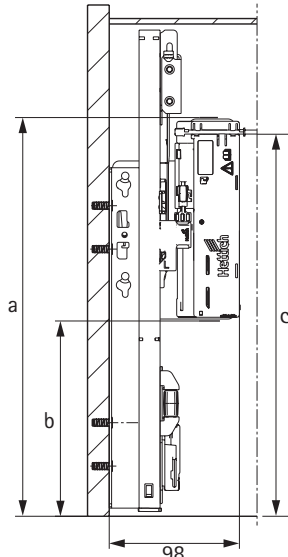
PTO 20

PTO 30

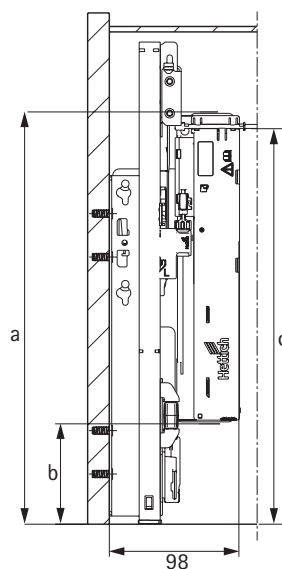
A
PTO 10/20
NL 250



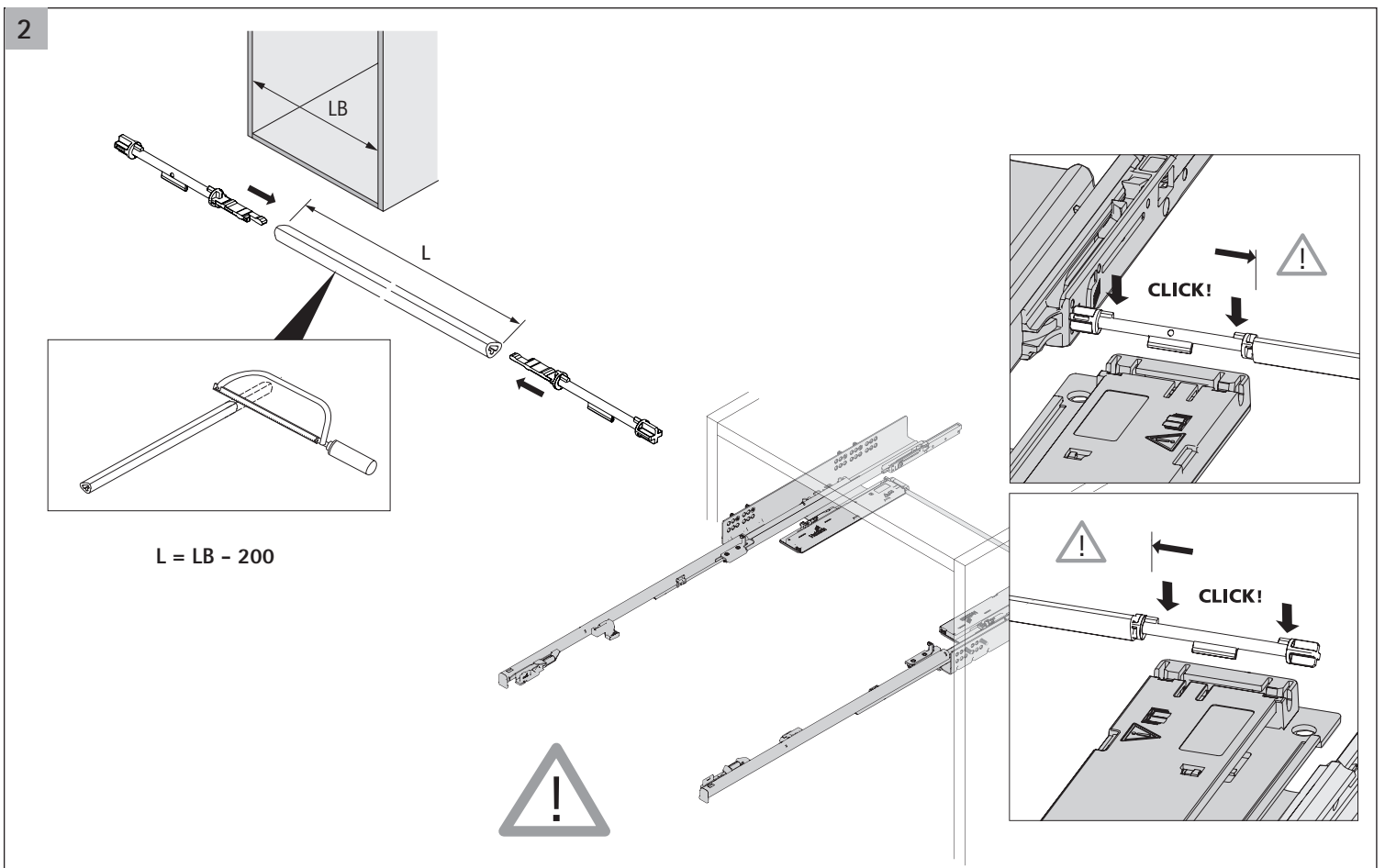
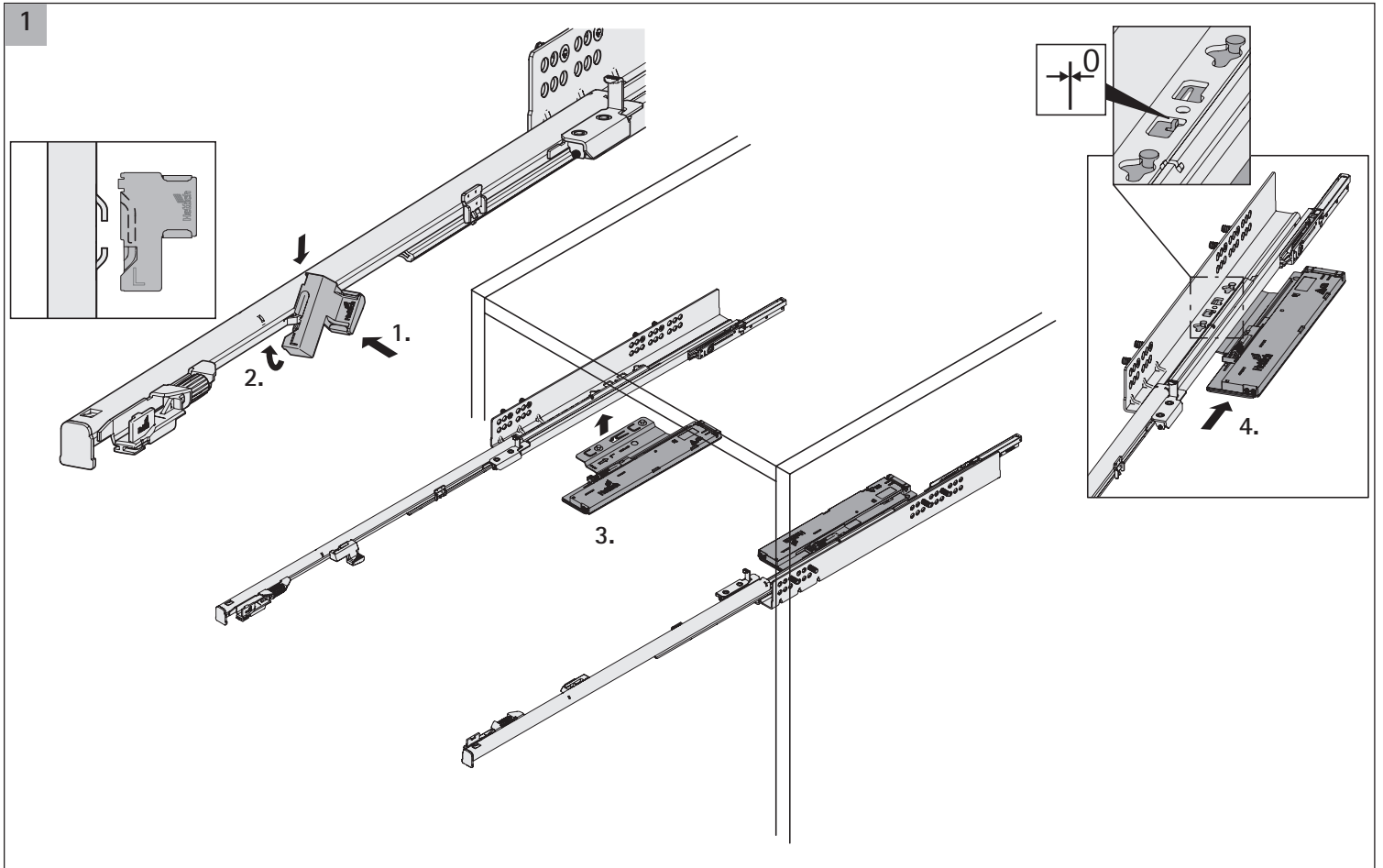
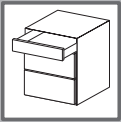
B
PTO 10/20
NL 350 - 600



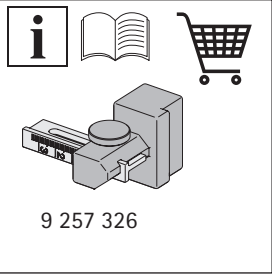
C
PTO 30
NL 350 - 600



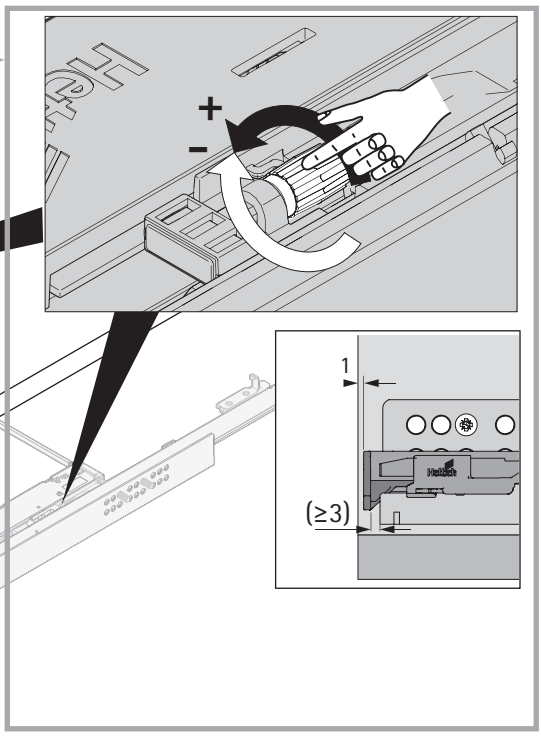
	A	B	C
a	224	294	304
b	74	144	174
c	210	280	290



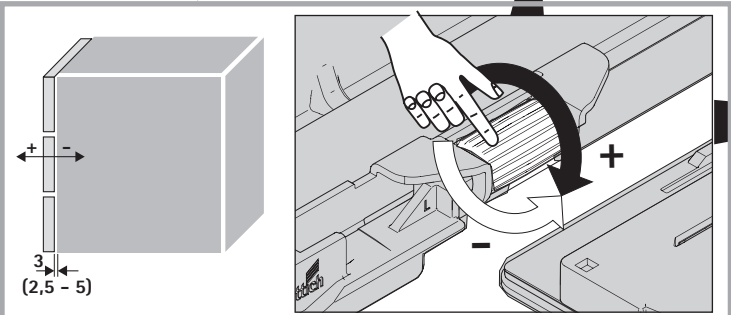
3



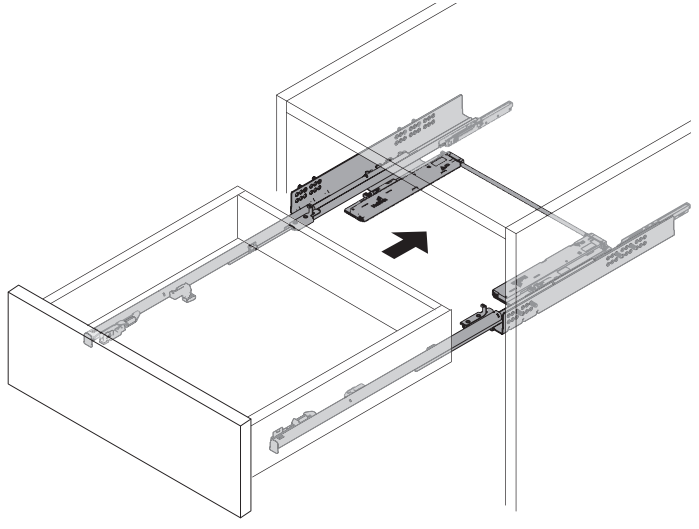
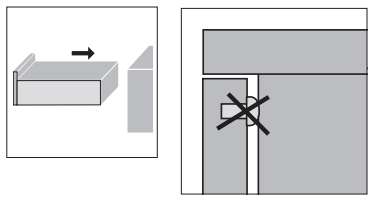
1.



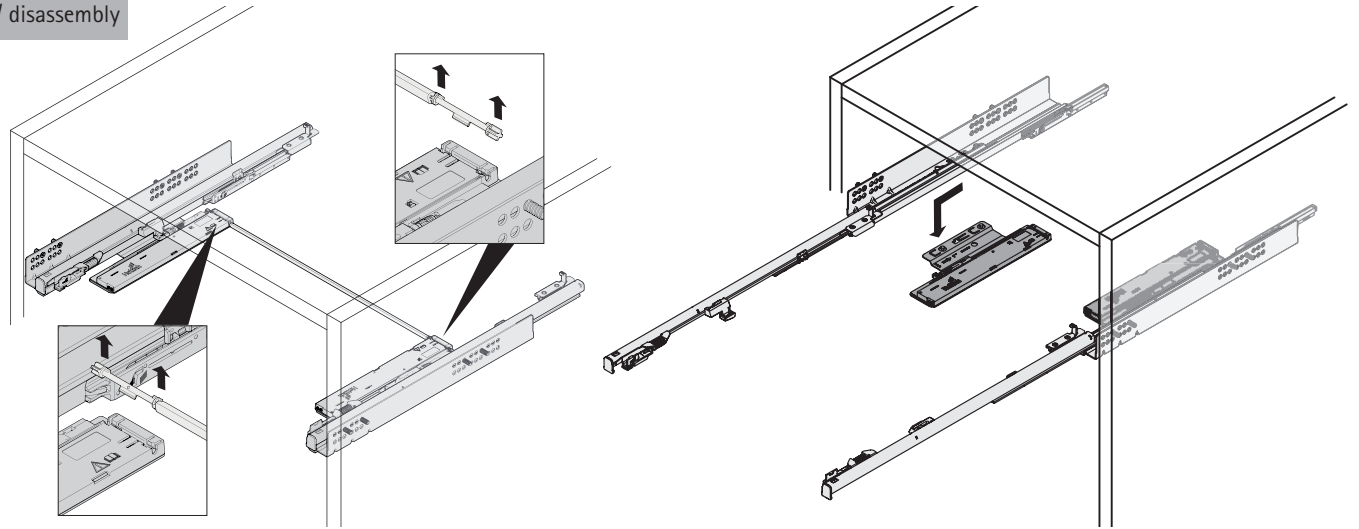
2.

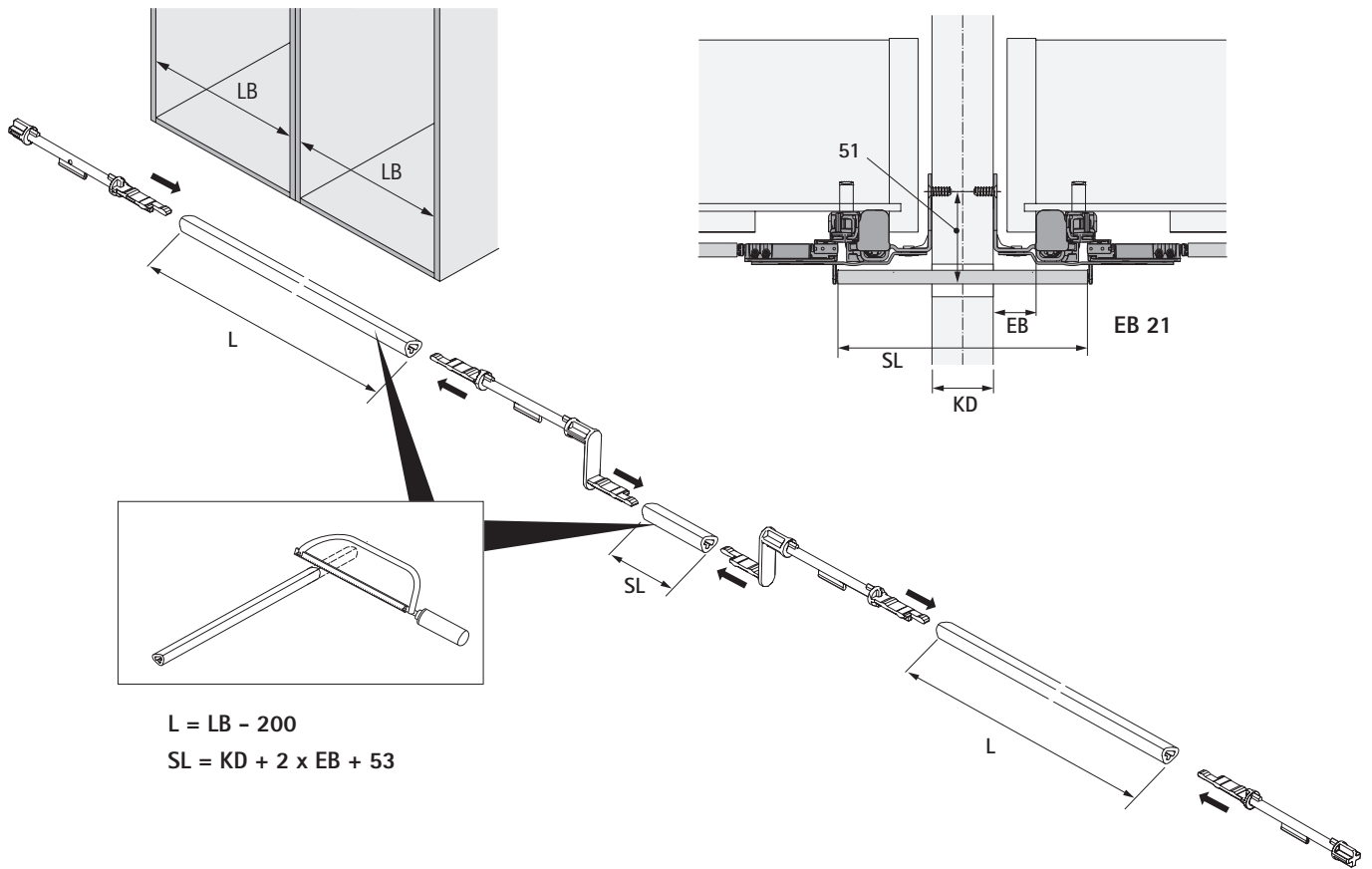
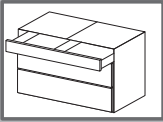


4



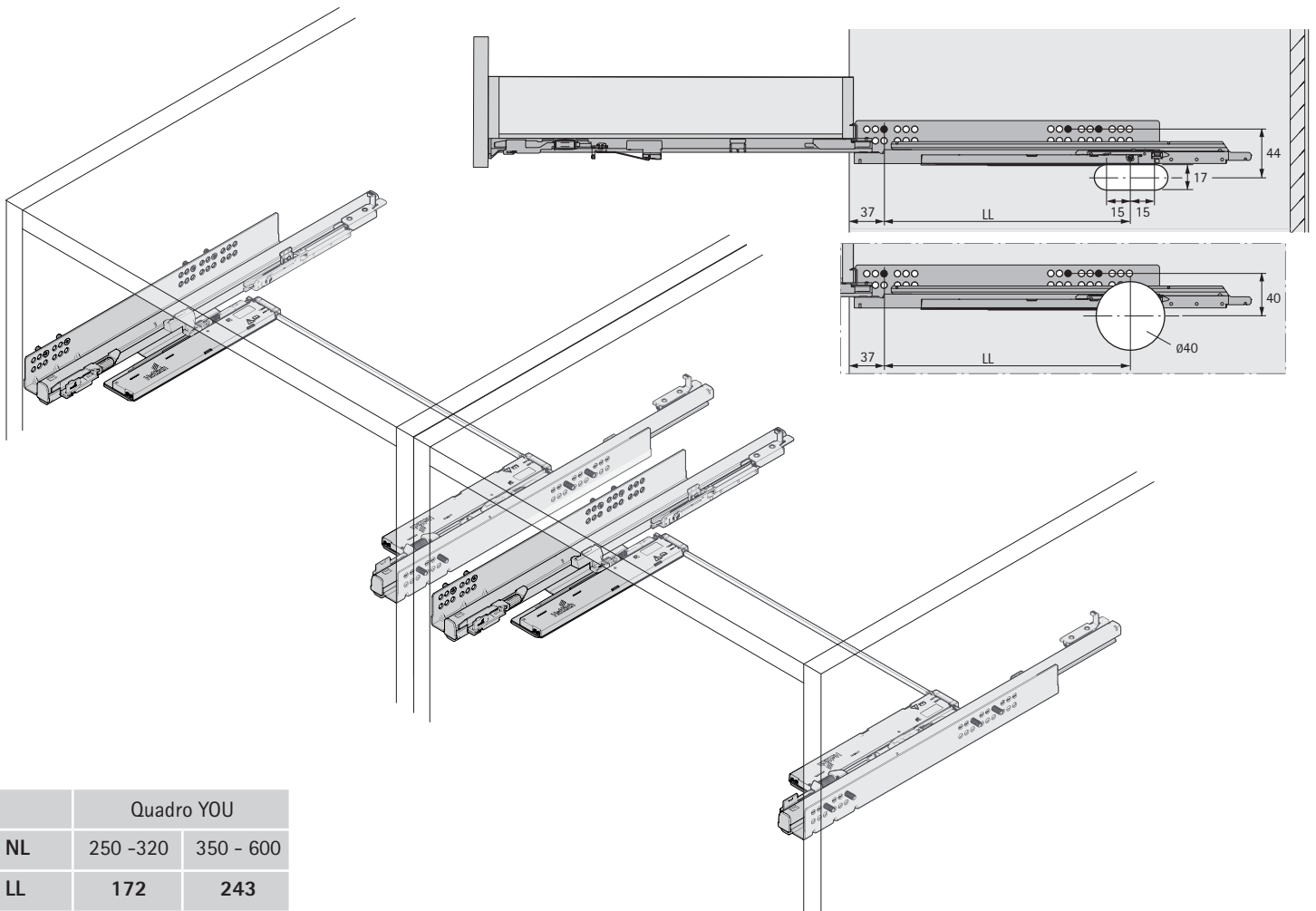
Demontage / disassembly





$$L = LB - 200$$

$$SL = KD + 2 \times EB + 53$$

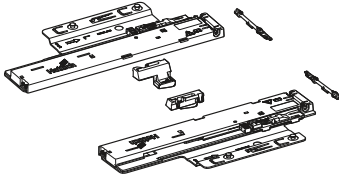


Quadro YOU		
NL	250 - 320	350 - 600
LL	172	243

AvanTech YOU double walled drawer system

► Push to open Silent opening system for Quadro YOU

Push to open Silent opening system for Quadro YOU



- Can be used with AvanTech YOU system drawer on Quadro YOU drawer runner with Silent System
- Optional synchronisation possible

Set comprises:

- 1 Push to open Silent unit, left and right
- 1 activator, left and right
- 2 adapters for synchronisation

Total weight kg	Load class Quadro kg	Nominal length mm	Order no.	PU
< 10	10	270 - 350	9 257 894	1 set
8 - 20	30	270 - 600	9 257 895	1 set
10 - 30	30	350 - 600	9 257 896	1 set

Recommendation for drawer (front panel height up to approx. 150 mm, light loading)*

Nominal length mm	Nominal width mm												
	275	300	350	400	450	500	550	600	700	800	900	1000	1200
270													
300													
350													
400													
450													
500													
550													
600													

Recommendation for pot-and-pan drawer (front panel height up to approx. 300 mm, medium duty loading)*

Nominal length mm	Nominal width mm												
	275	300	350	400	450	500	550	600	700	800	900	1000	1200
270													
300													
350													
400													
450													
500													
550													
600													

Recommendation for pot-and-pan drawer, heavy duty (front panel height up to approx. 300 mm, heavy duty loading, e.g. with stacks of plates)*

Nominal length mm	Nominal width mm												
	275	300	350	400	450	500	550	600	700	800	900	1000	1200
270													
300													
350													
400													
450													
500													
550													
600													

Order no. Push to open Silent:

9 257 894

9 257 895

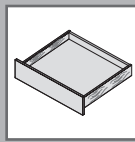
9 257 896

* Recommendations for applications (front panel 19 mm chipboard, normal household loading), please refer to our online configurator to get more exact recommendations for customer chosen front panel dimensions and materials.

Quadro YOU Push to open

for wooden drawer

Push to open Synchro/Multisynchronisation



Technik für Möbel



i

1 **2** **3** Quadro YOU

1a

1 **2**

$L = LB - 91$

1b

1 **2** **3** **2**

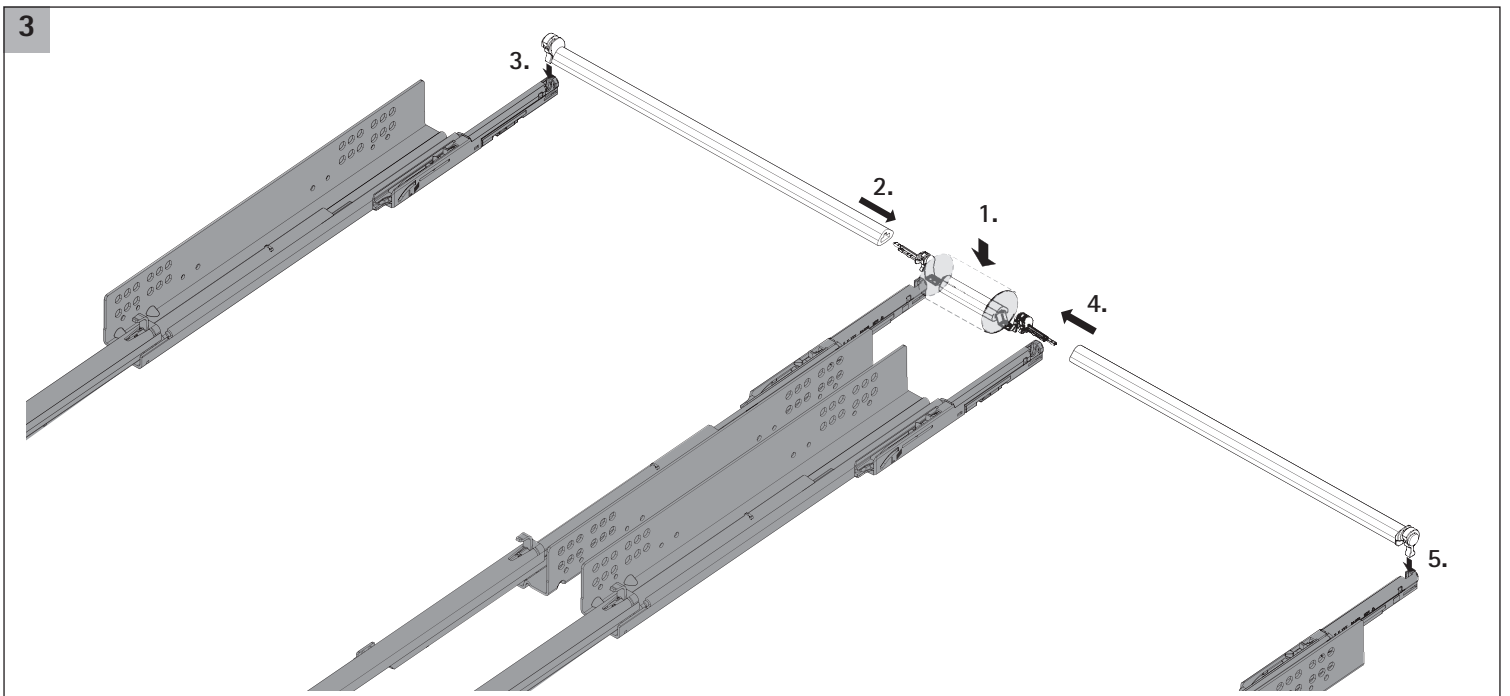
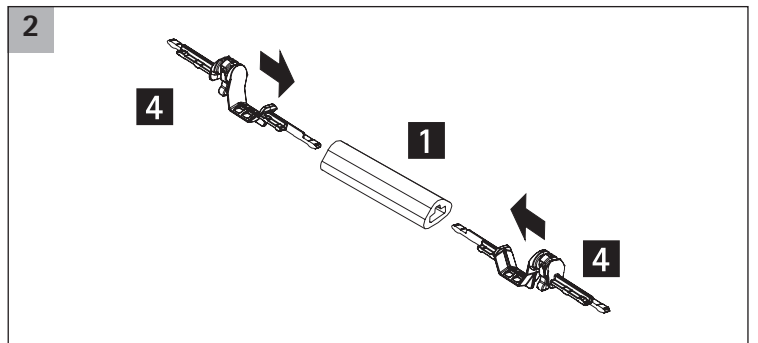
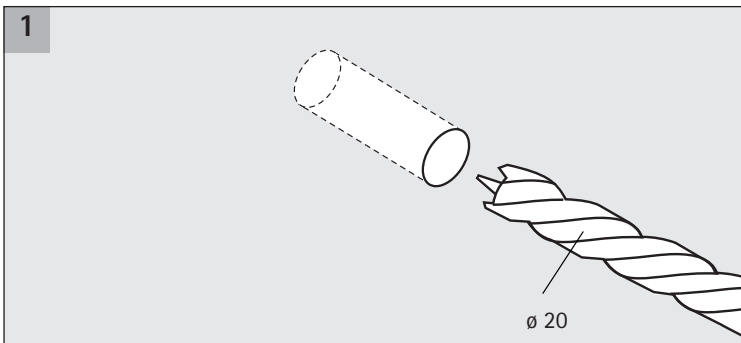
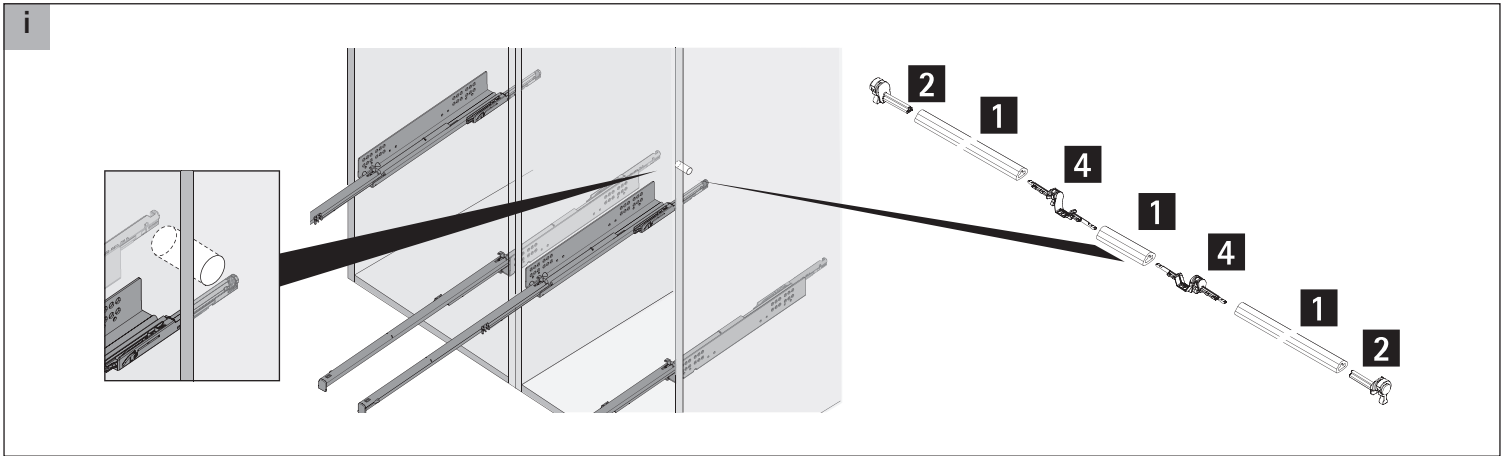
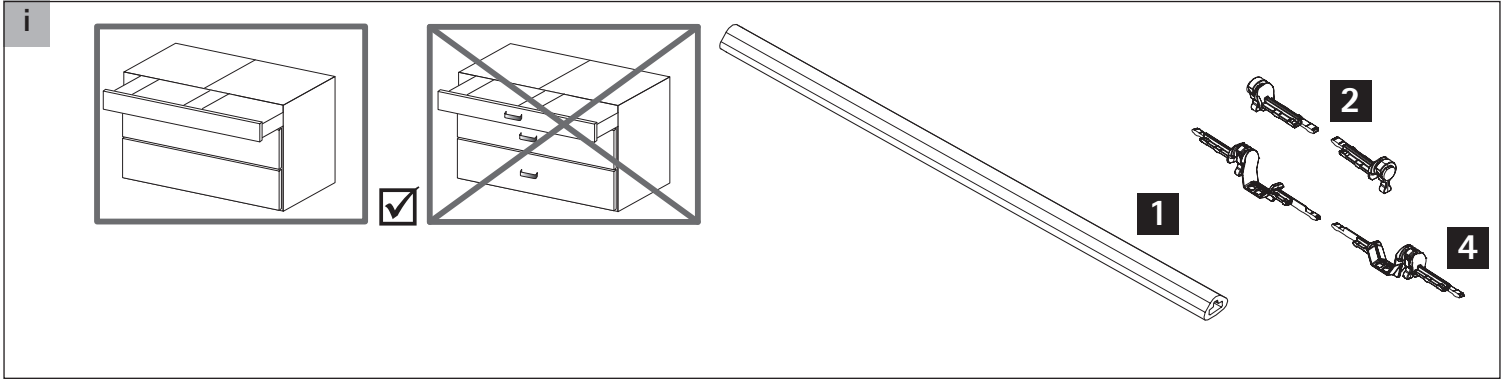
$L = X + Y + 2$

$\geq 2/3$ $\leq 1/3$

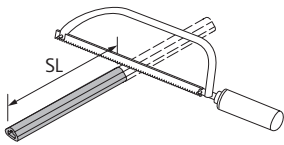
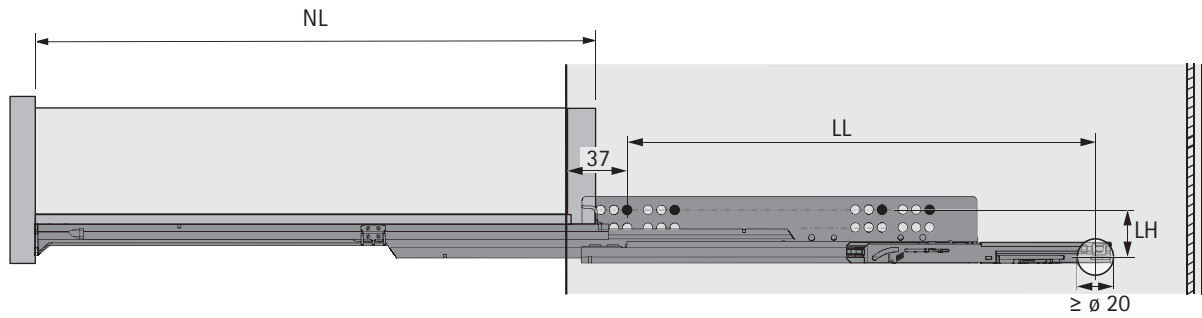
2

1 **2**

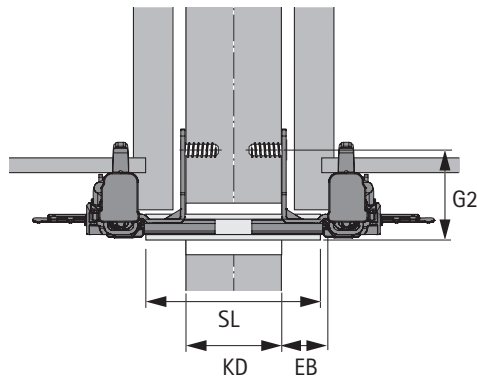
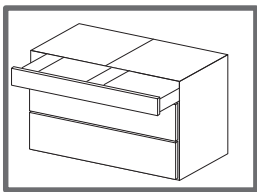
Push to open Multisynchronisation



i



$$SL = KD + 2 \times EB - 6$$



4

Quadro YOU

NL mm	250	270	300	320	350	380	400	420	450	480	500	520	550	600
LL mm	204	204	204	247	247	322	340	346	369	369	394	394	430	437

	LH mm		G2 mm
Quadro YOU	33	Quadro YOU	40