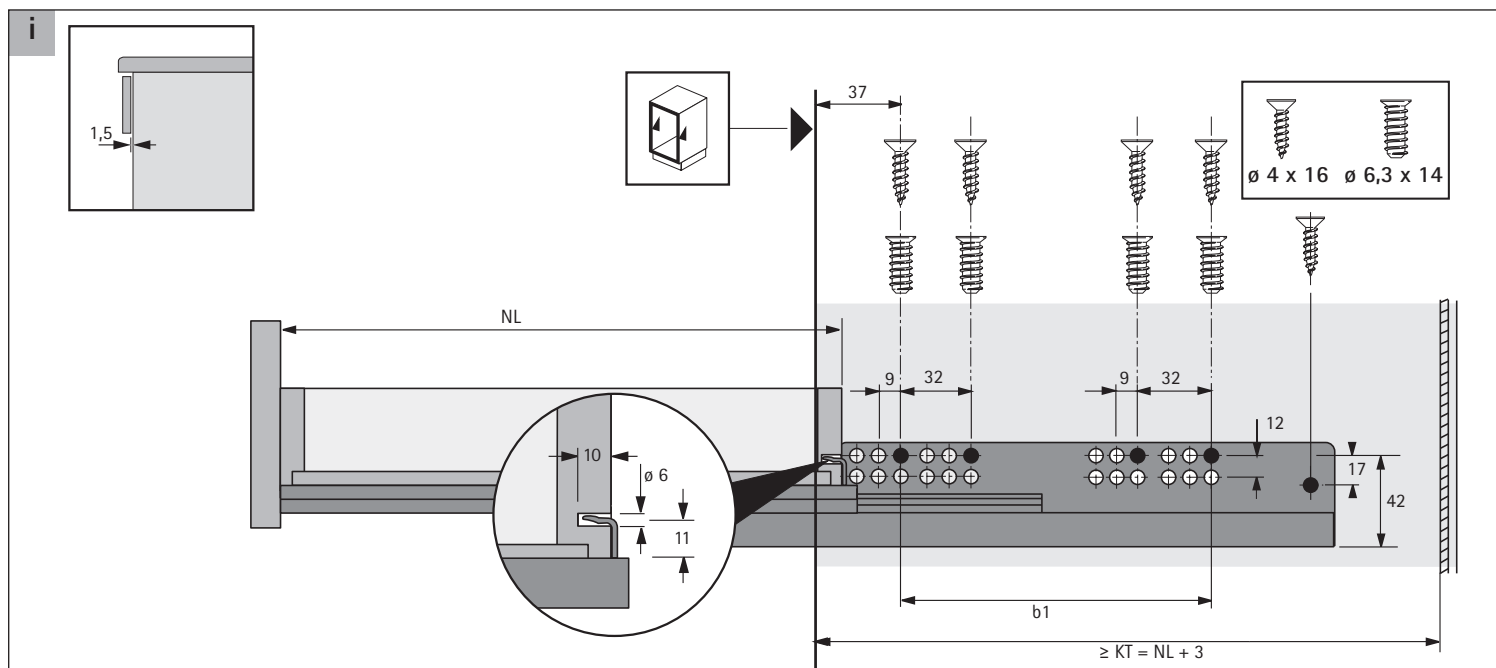
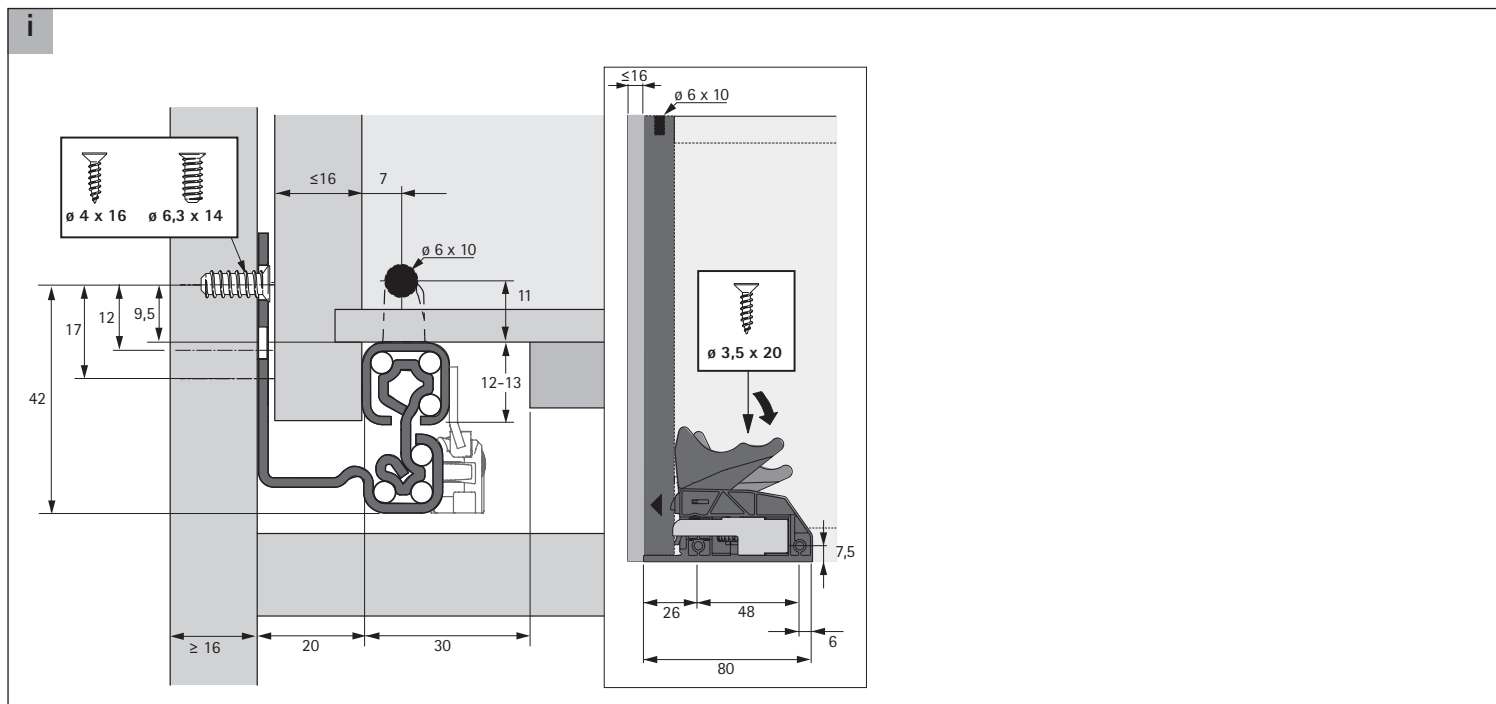


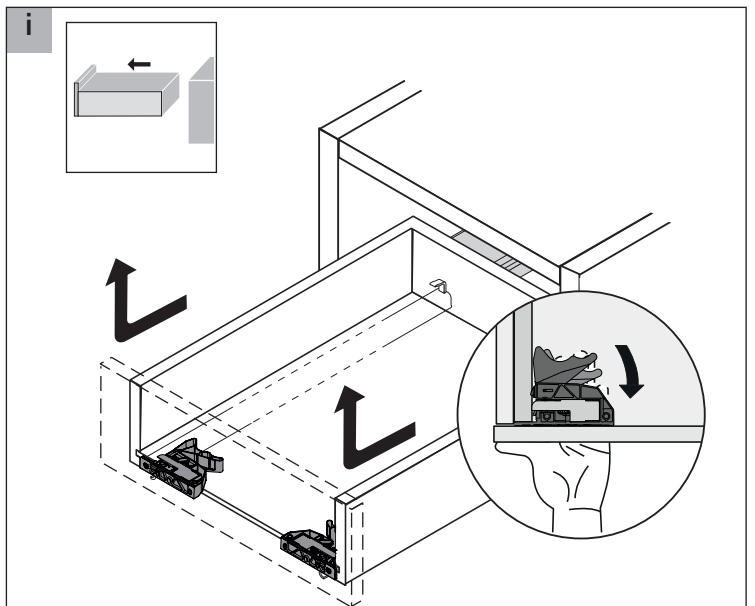
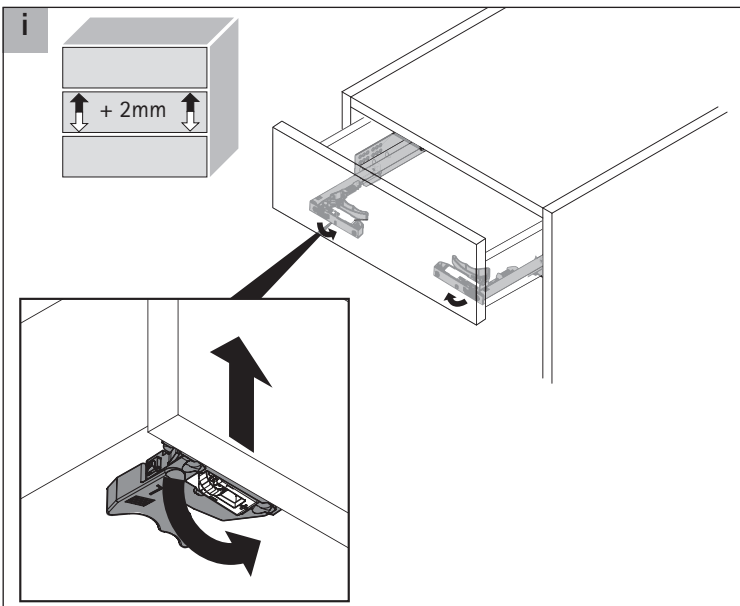
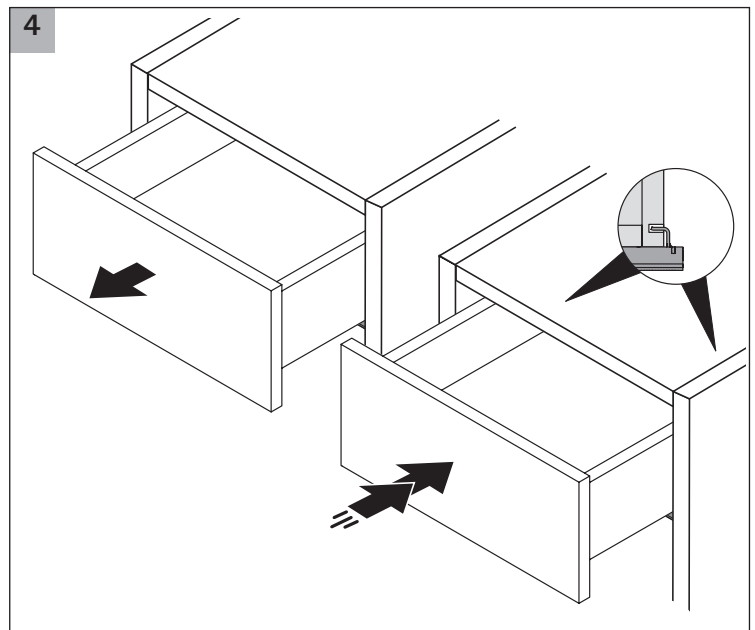
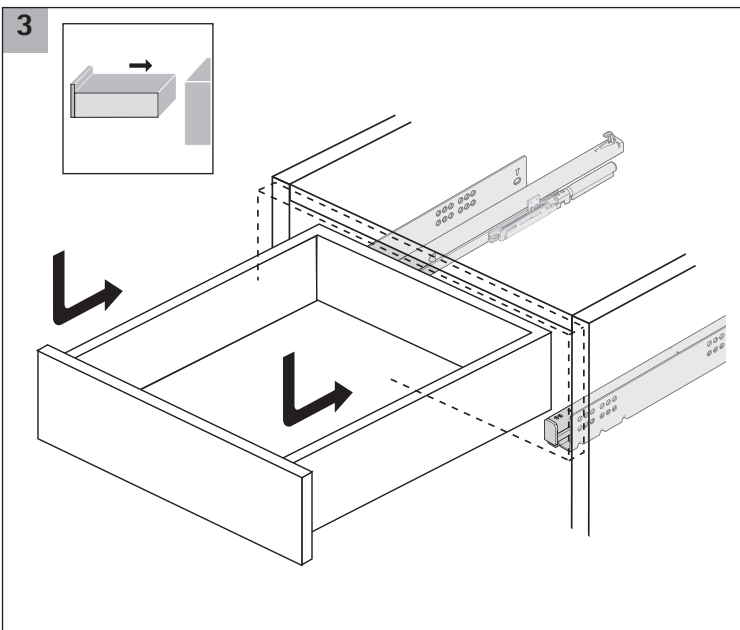
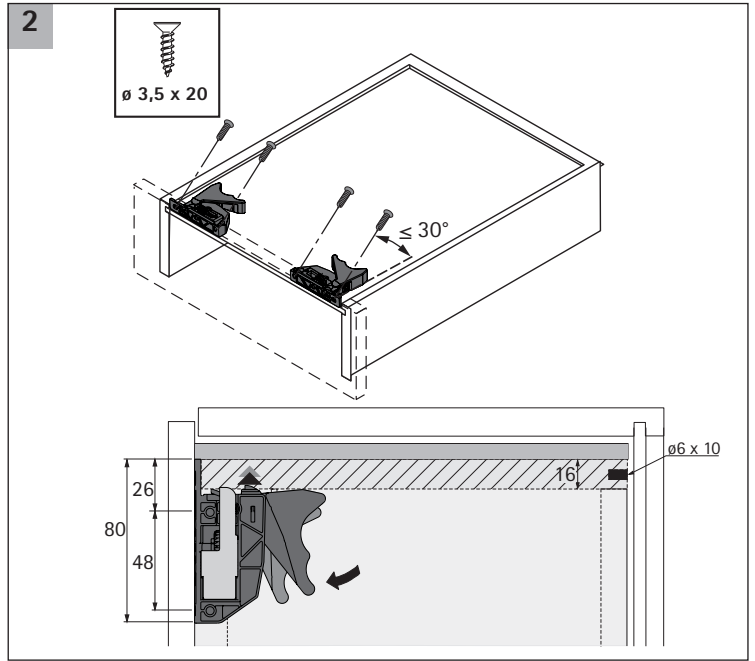
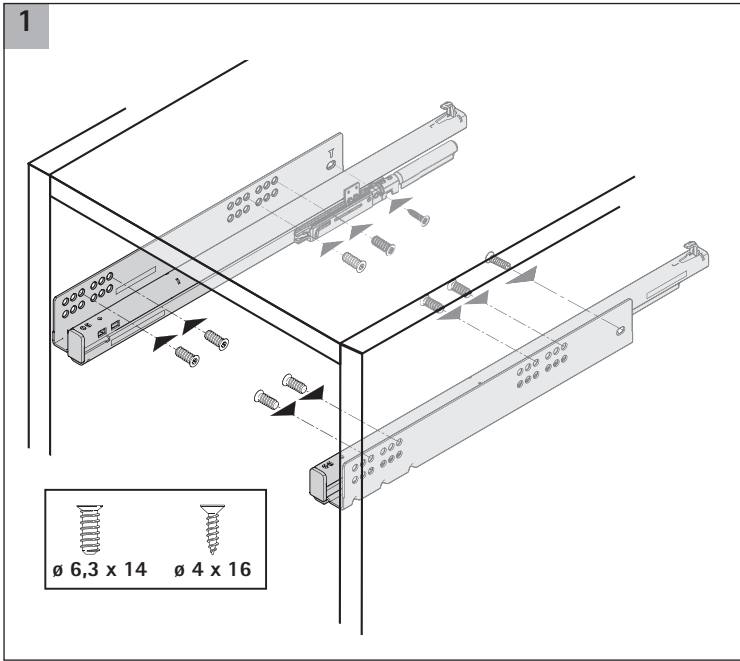
Quadro V6+ Silent System

Slide on, EB 20 (≤ 16 mm)

Technik für Möbel

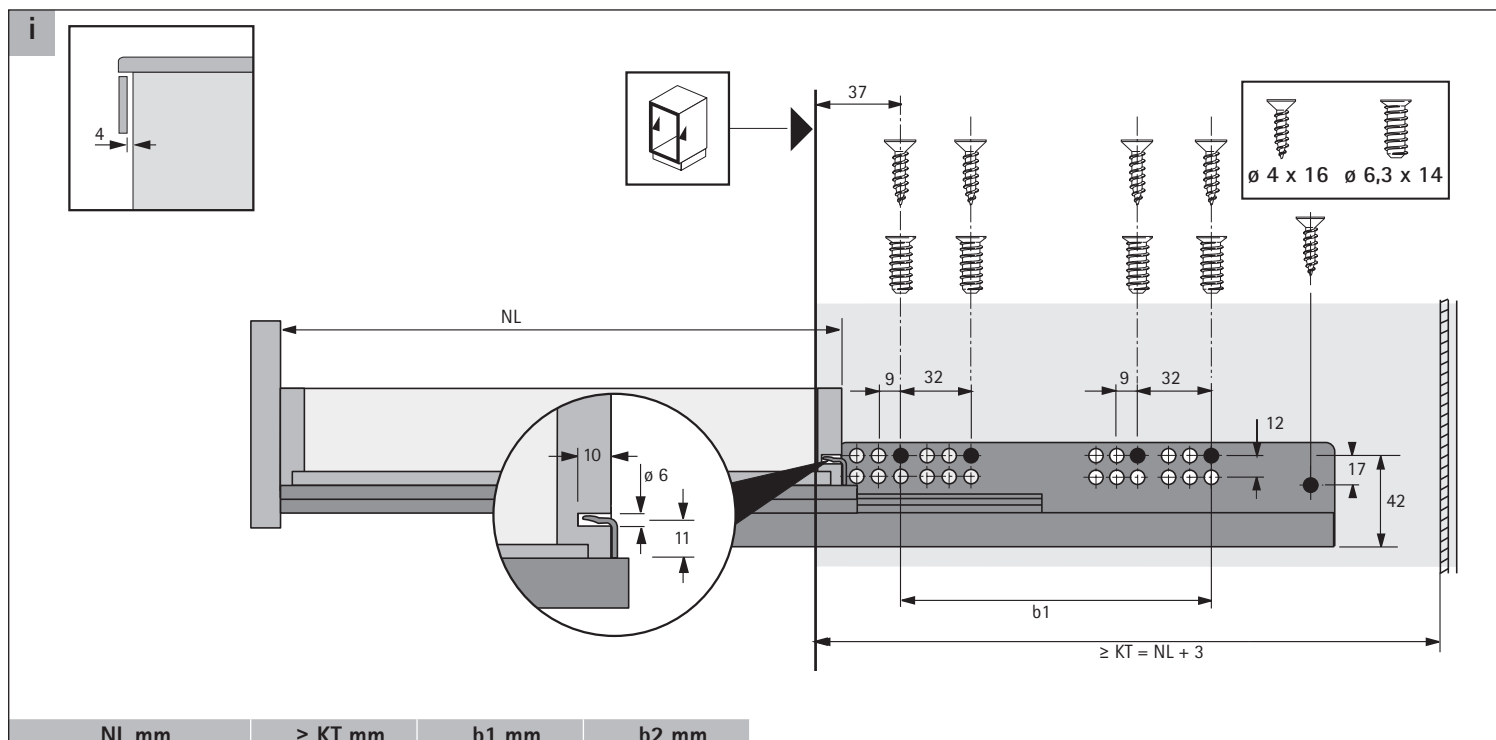
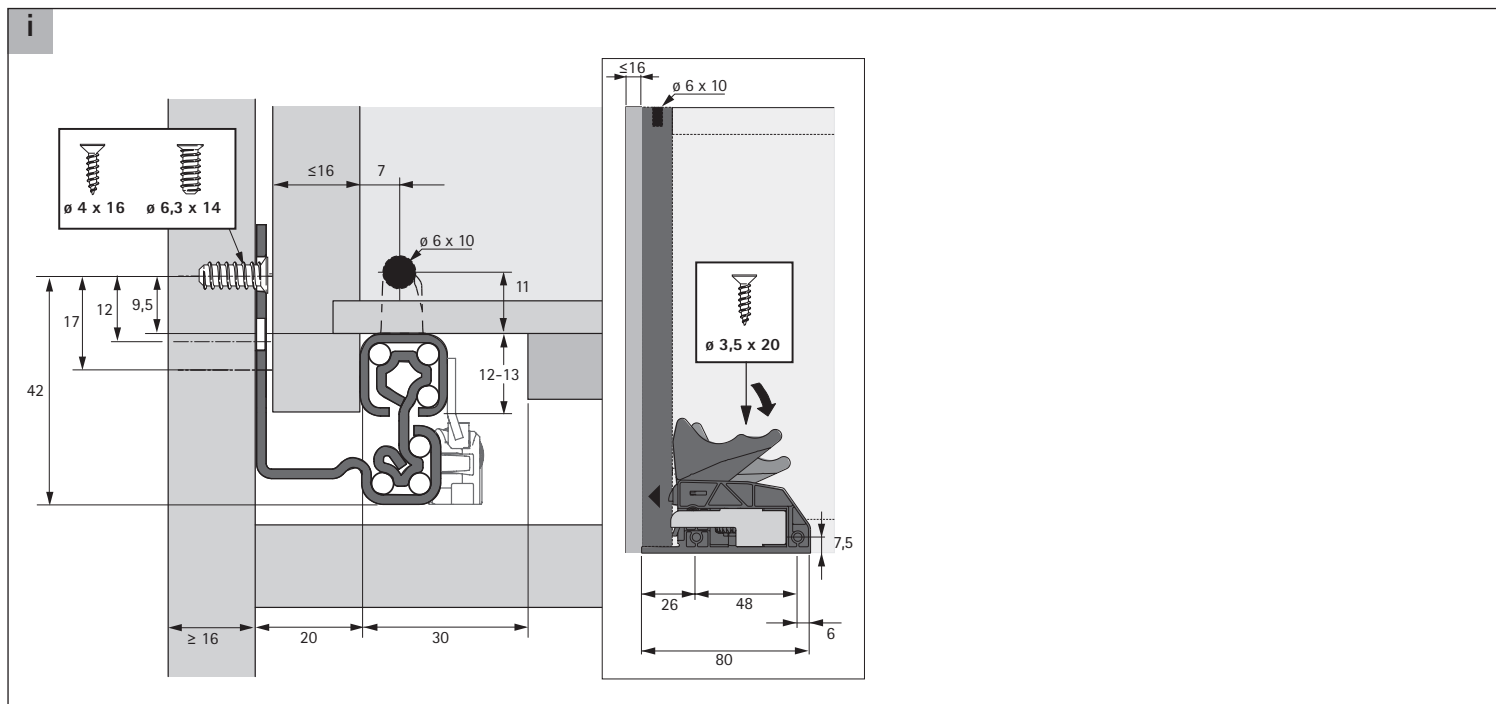


| NL mm | $\geq KT$ mm | b1 mm | b2 mm |
|-------|--------------|-------|-------|
| 350 | 363 | 192 | 21 |
| 380 | 393 | 224 | 19 |
| 400 | 413 | 224 | 32 |
| 420 | 433 | 224 | 32 |
| 450 | 463 | 256 | 32 |
| 480 | 493 | 256 | 32 |
| 500 | 513 | 288 | 64 |
| 520 | 533 | 288 | 64 |
| 550 | 563 | 288 | 64 |
| 580 | 593 | 352 | 64 |
| 600 | 613 | 352 | 64 |



Quadro V6+ Push to open Slide on, EB 20 (≤ 16 mm)

Technik für Möbel



| NL mm | \geq KT mm | b1 mm | b2 mm |
|-------|--------------|-------|-------|
| 350 | 363 | 192 | 21 |
| 380 | 393 | 224 | 19 |
| 400 | 413 | 224 | 32 |
| 420 | 433 | 224 | 32 |
| 450 | 463 | 256 | 32 |
| 480 | 493 | 256 | 32 |
| 500 | 513 | 288 | 64 |
| 520 | 533 | 288 | 64 |
| 550 | 563 | 288 | 64 |
| 580 | 593 | 352 | 64 |
| 600 | 613 | 352 | 64 |