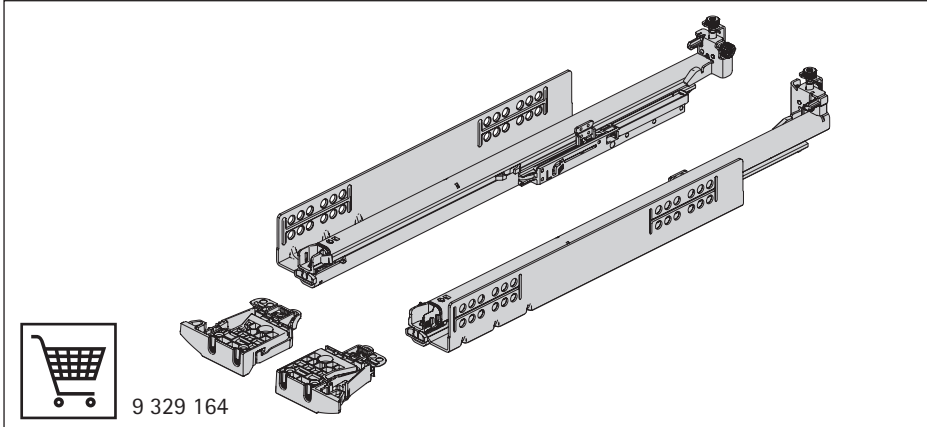


# Quadro V6 5D

## Silent System / Push to open



9 329 164

**i**

[www.hettich.com/short/lic2aq0](http://www.hettich.com/short/lic2aq0)

PZ 2

$\varnothing 3,5 \times 20$	$\varnothing 3,5 \times 16$	$\varnothing 6 \times 14$	$\varnothing 4 \times 16$
-----------------------------	-----------------------------	---------------------------	---------------------------

**i**

$SKL = (NL - 10) \pm 0,5$

$LT = NL + 3$

$\leq 600$

$\varnothing 6 \times 14$   $\varnothing 4 \times 16$

$\varnothing 6$   $11$

0 Silent System

37 32

4 Push to open

NL mm	b1 mm
250	160
270	160
300	160
320	224
350	224
380	224
400	224
420	224
450	256
480	256
500	256
520	256
550	256
600	256

**i**

$SKW = (LB - 42) - 1,5$

$\varnothing 6,3 \times 14$   $\varnothing 4 \times 16$

$\varnothing 4 \times 40$

$\varnothing 6 \times 10$

$\geq 7$

$\geq 50$

$\geq 1,25$  Push to open Silent

21  $\leq 16$  7 11

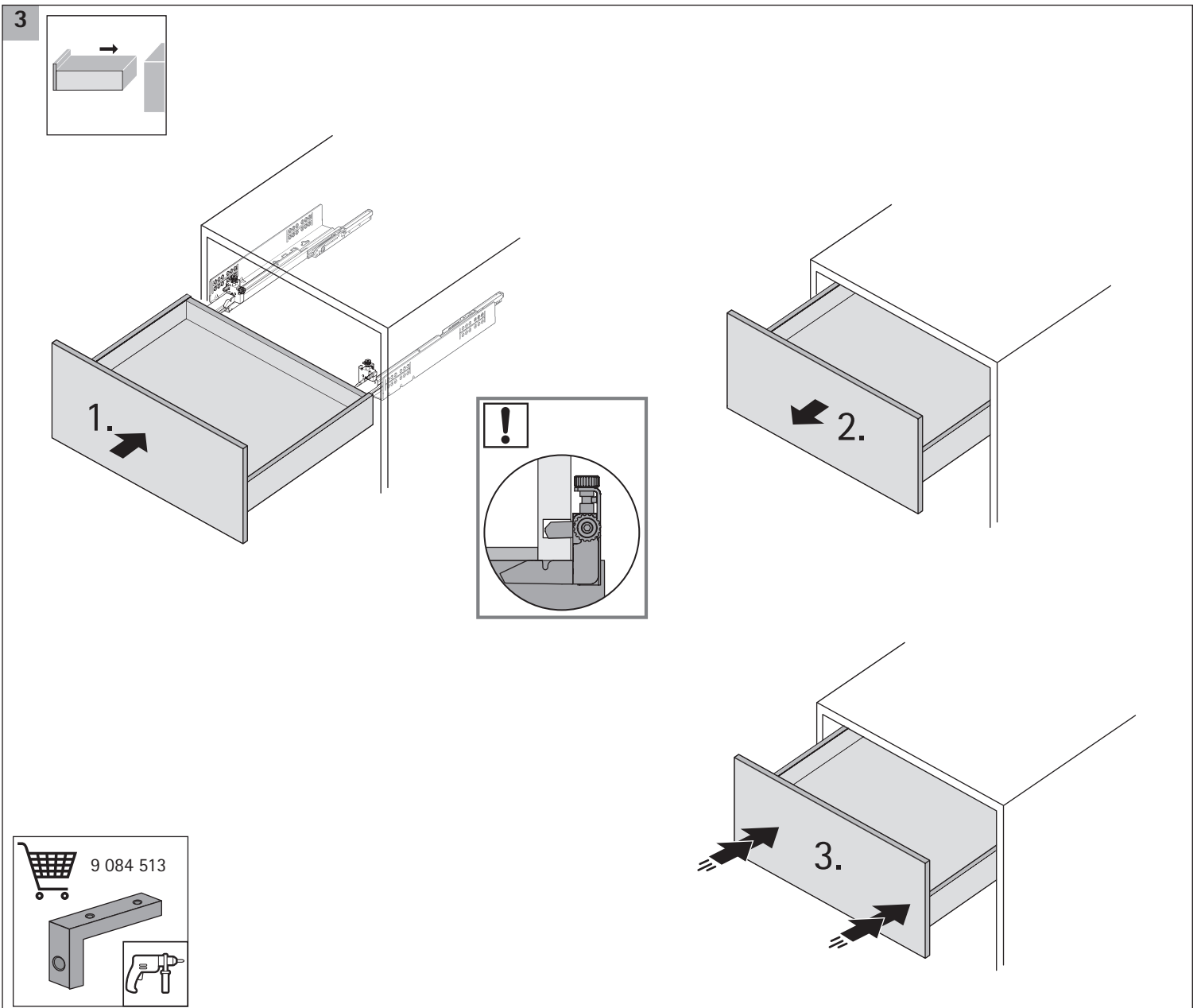
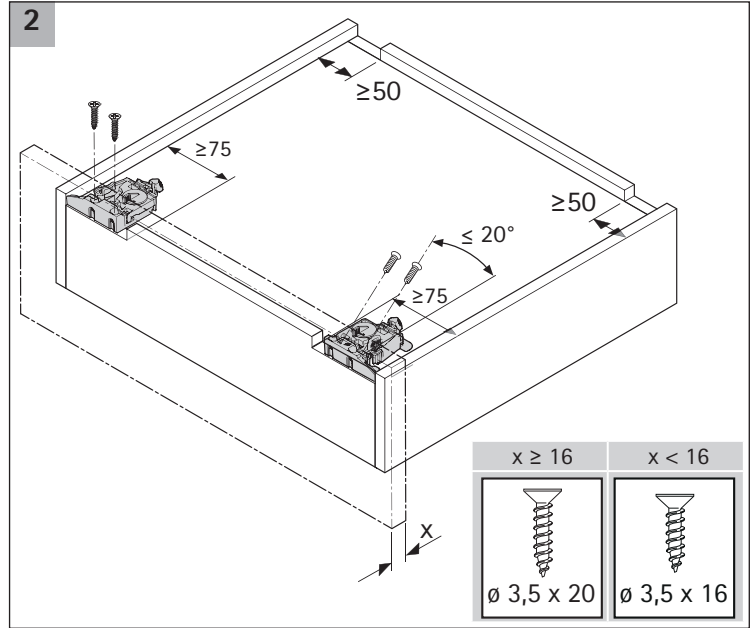
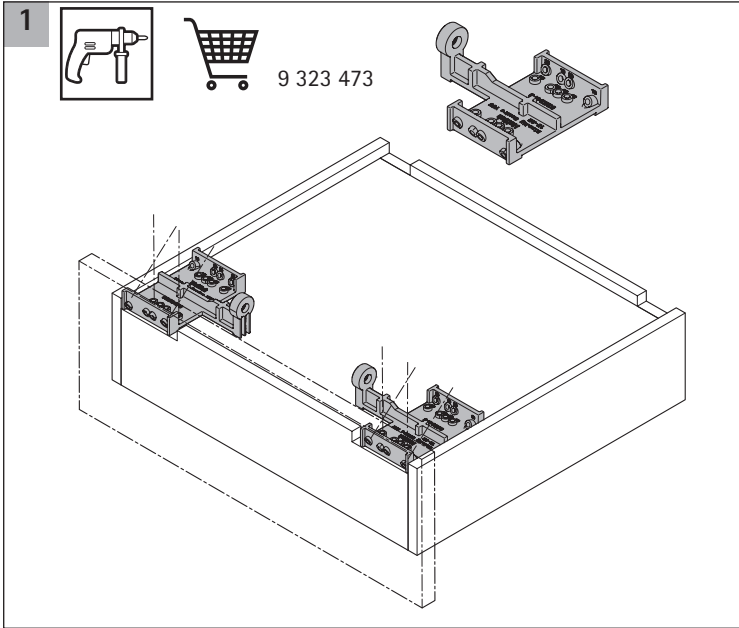
12 9,5 12-13 38

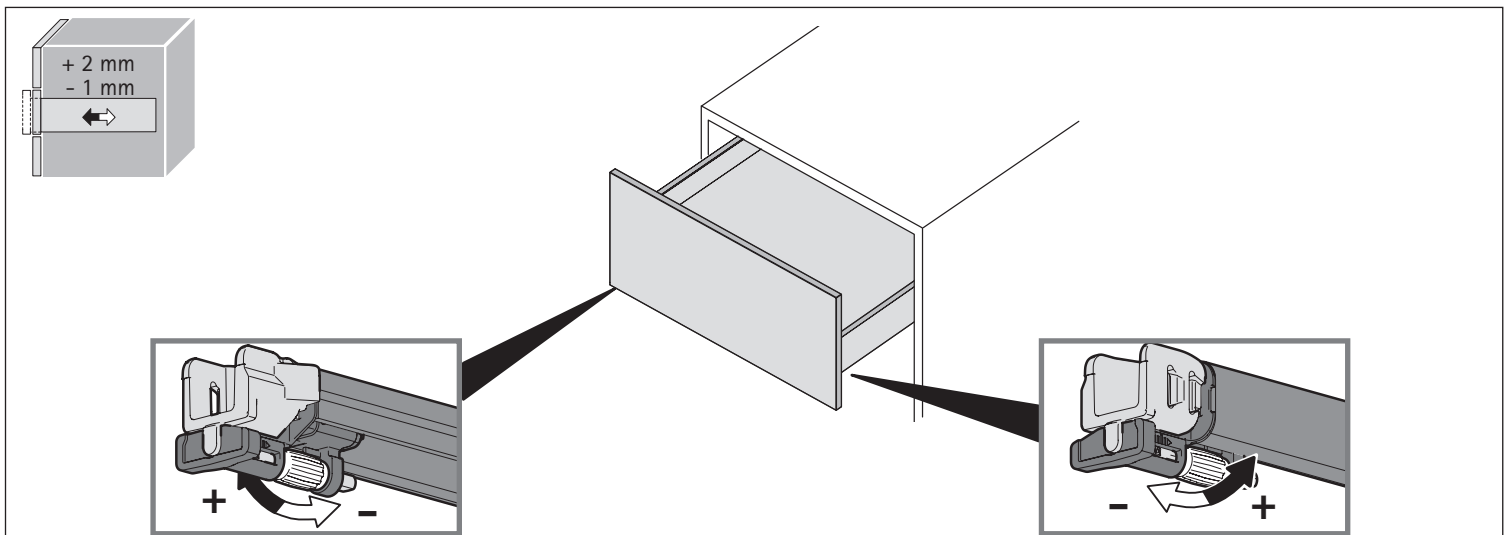
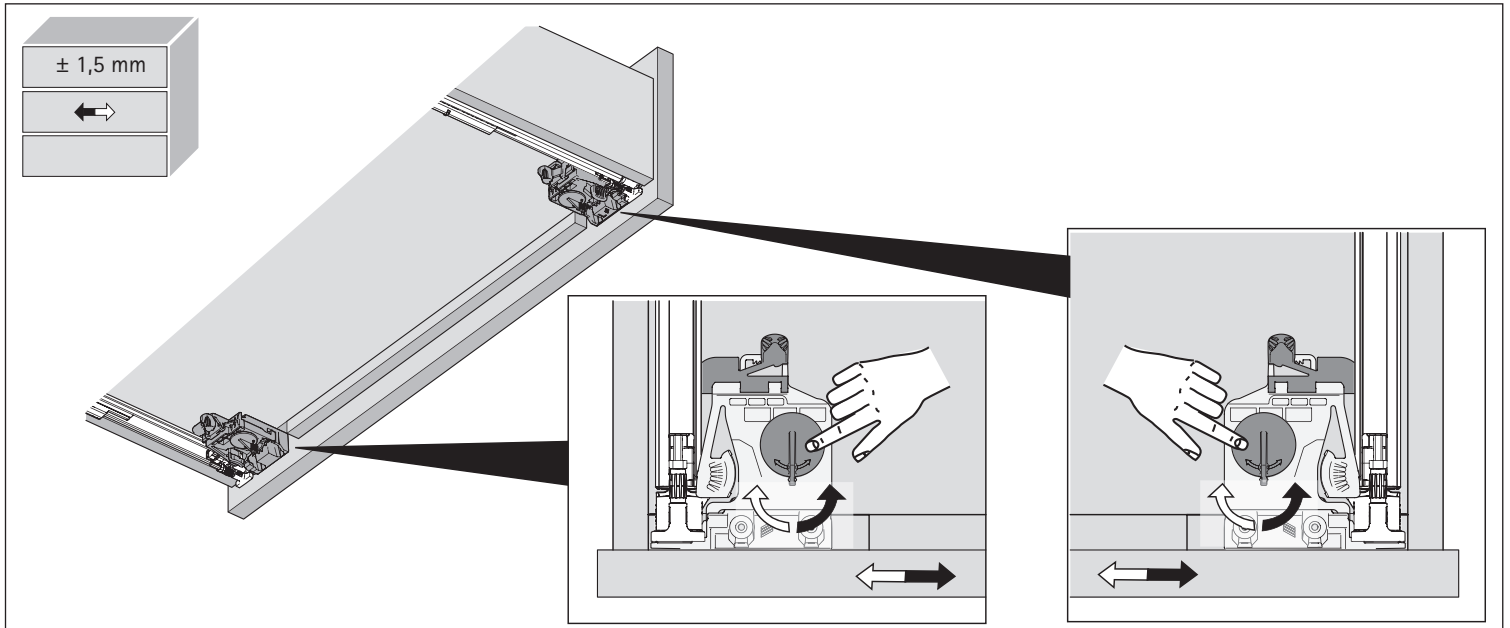
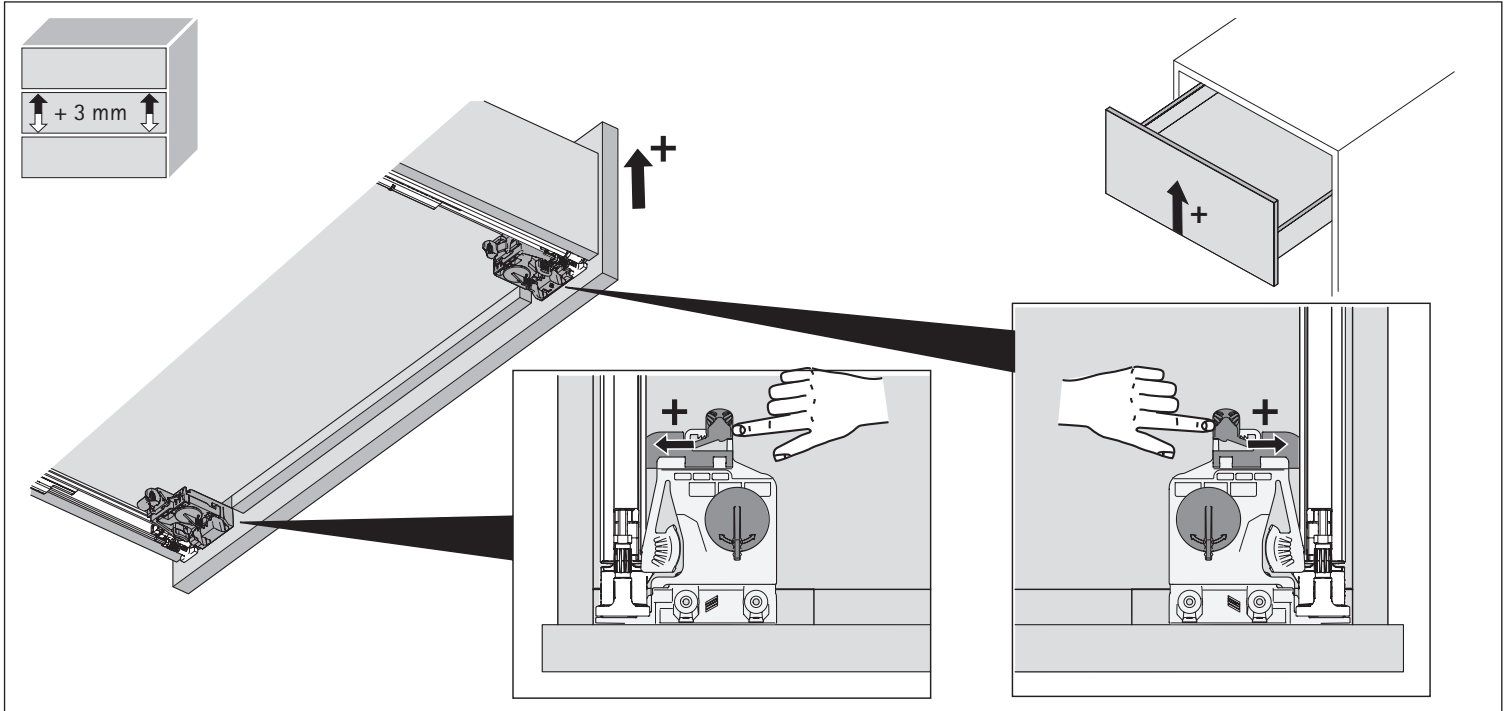
20 27,5 9

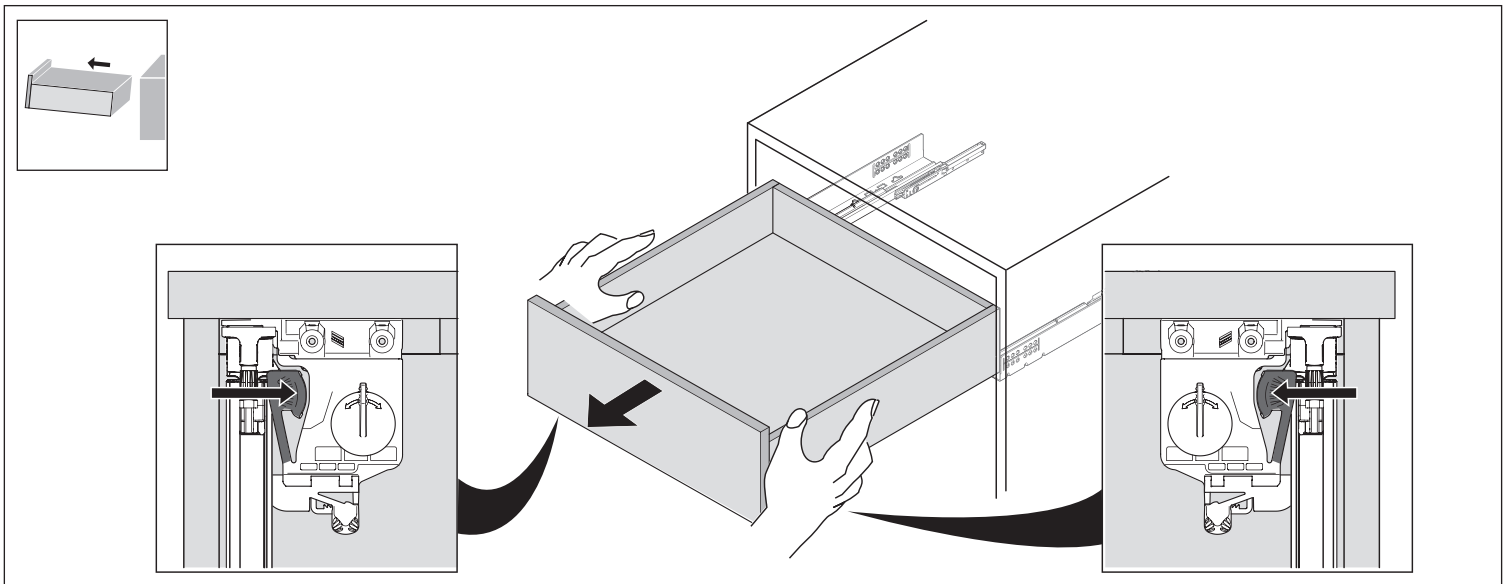
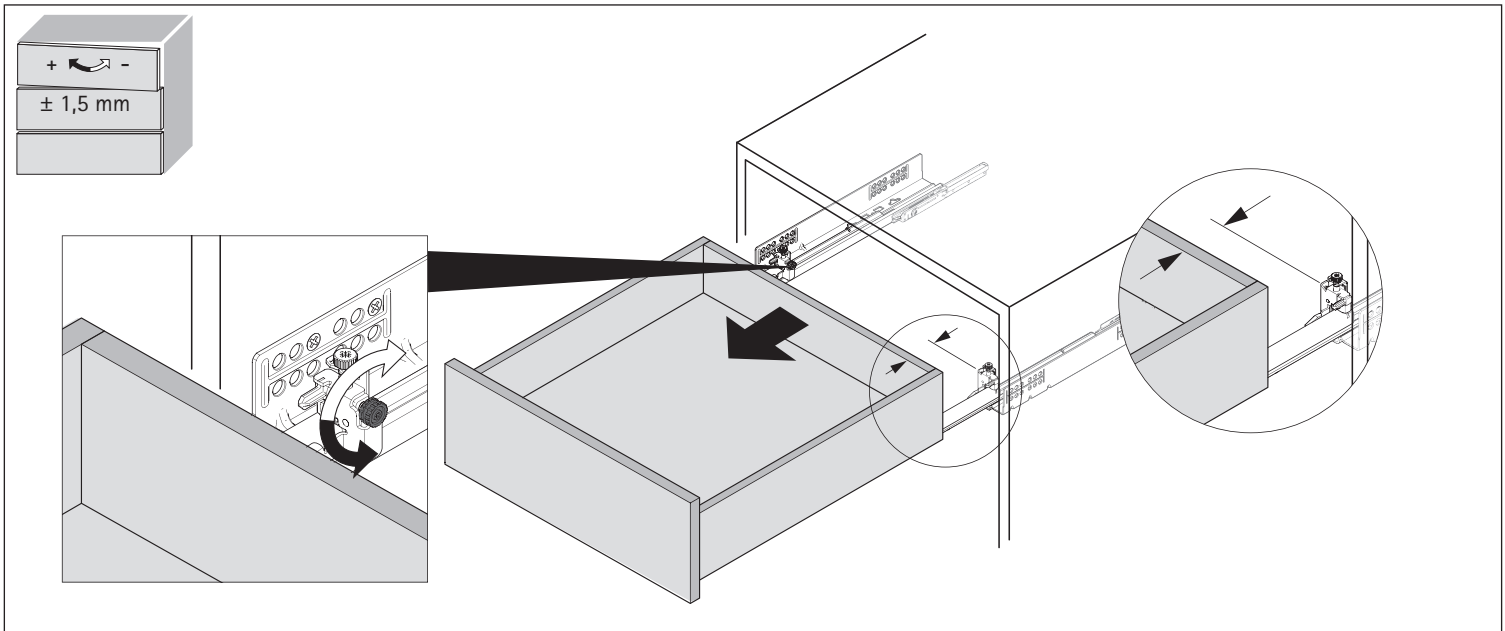
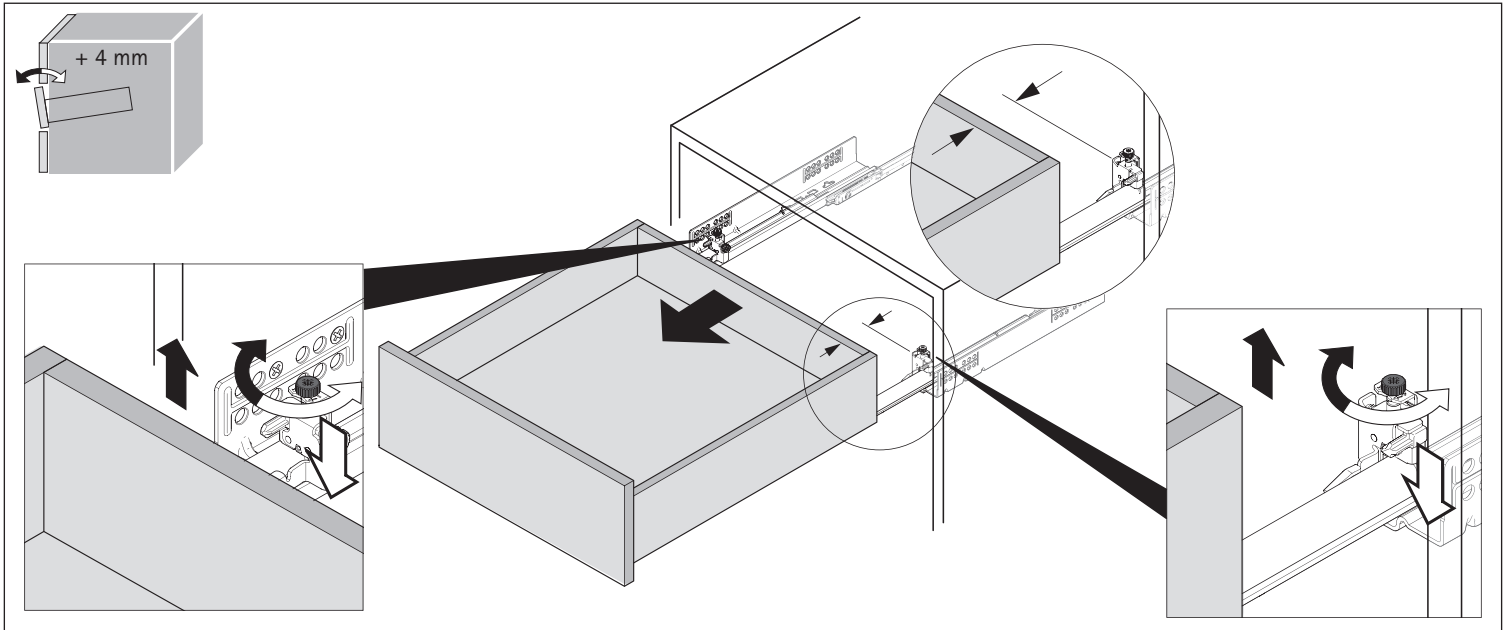
8

31 24 75

NL - 20 mm



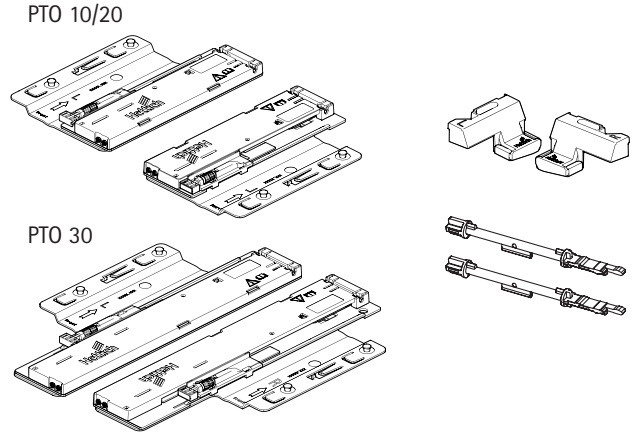
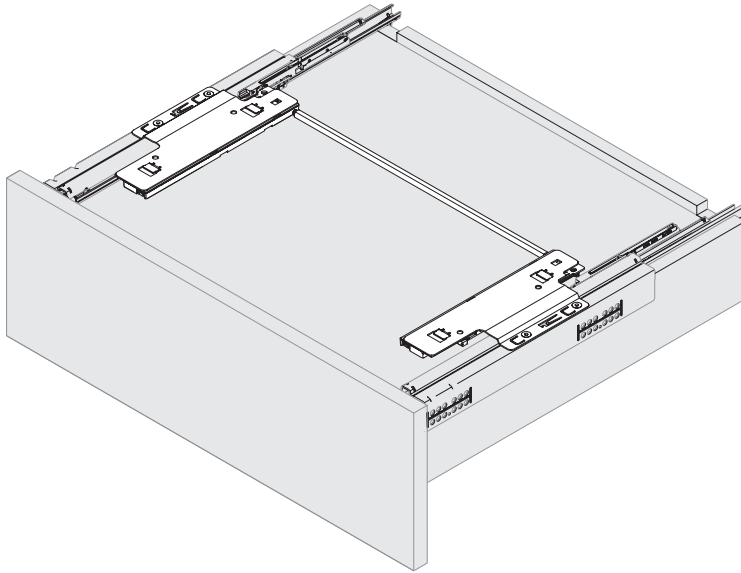
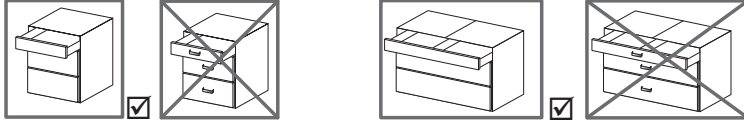
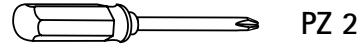




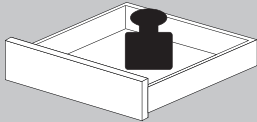


# Quadro V6 5D Push to open Silent

Technik für Möbel



i 1

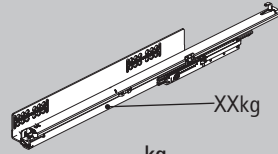


kg

3 - 10

8 - 20

10 - 30

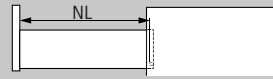


kg

10

30

30



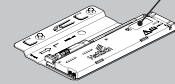
mm

250 - 350

250 - 600

350 - 600

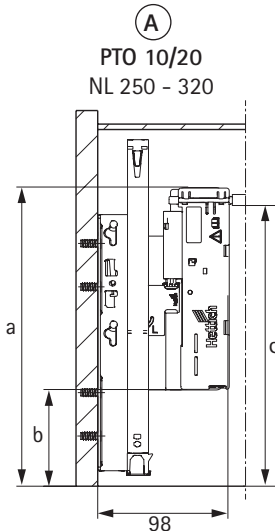
PTO 10/20/30



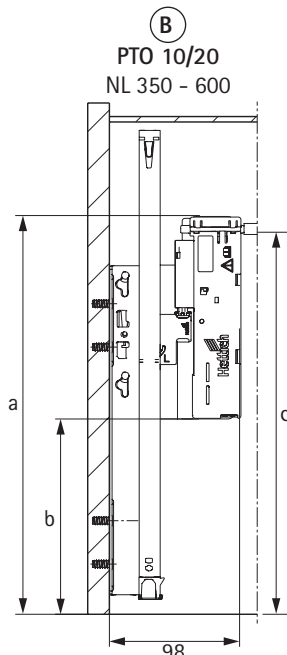
PTO 10

PTO 20

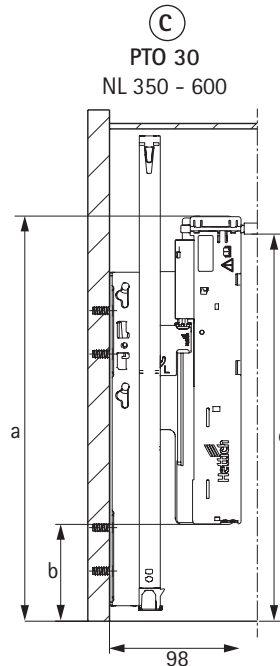
PTO 30



**A**  
PTO 10/20  
NL 250 - 320

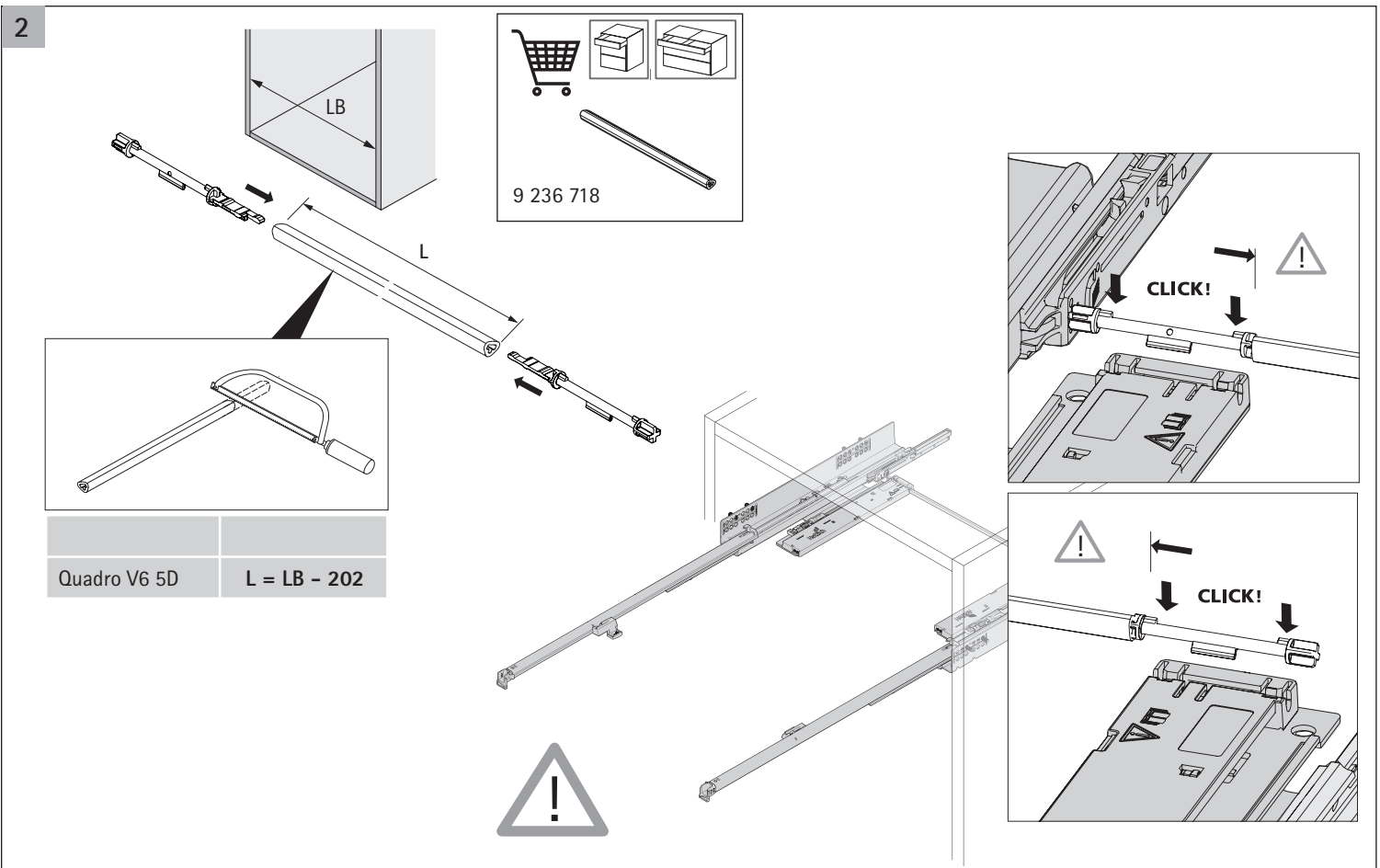
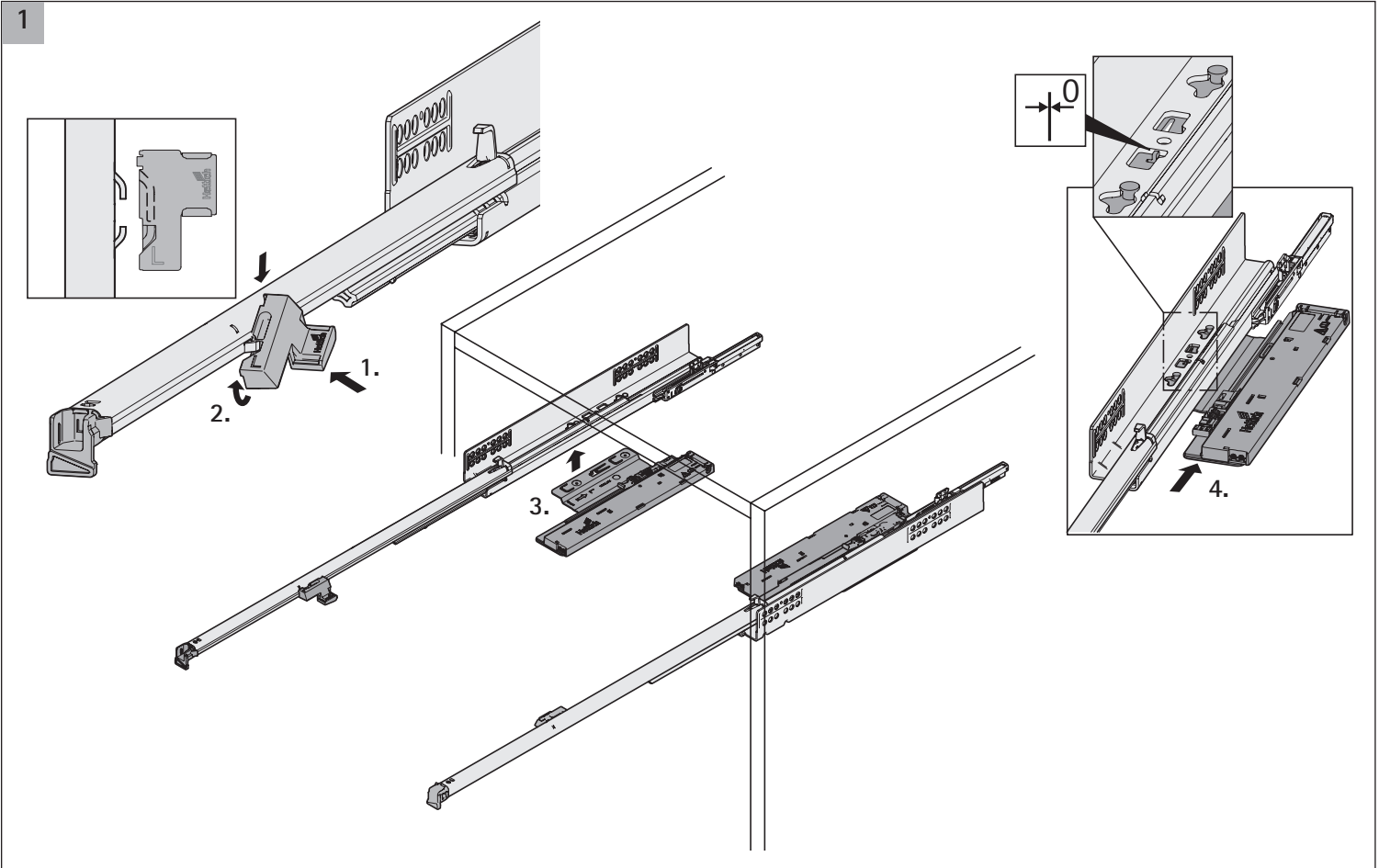
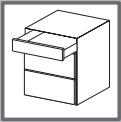


**B**  
PTO 10/20  
NL 350 - 600

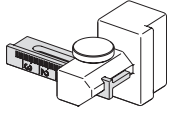


**C**  
PTO 30  
NL 350 - 600

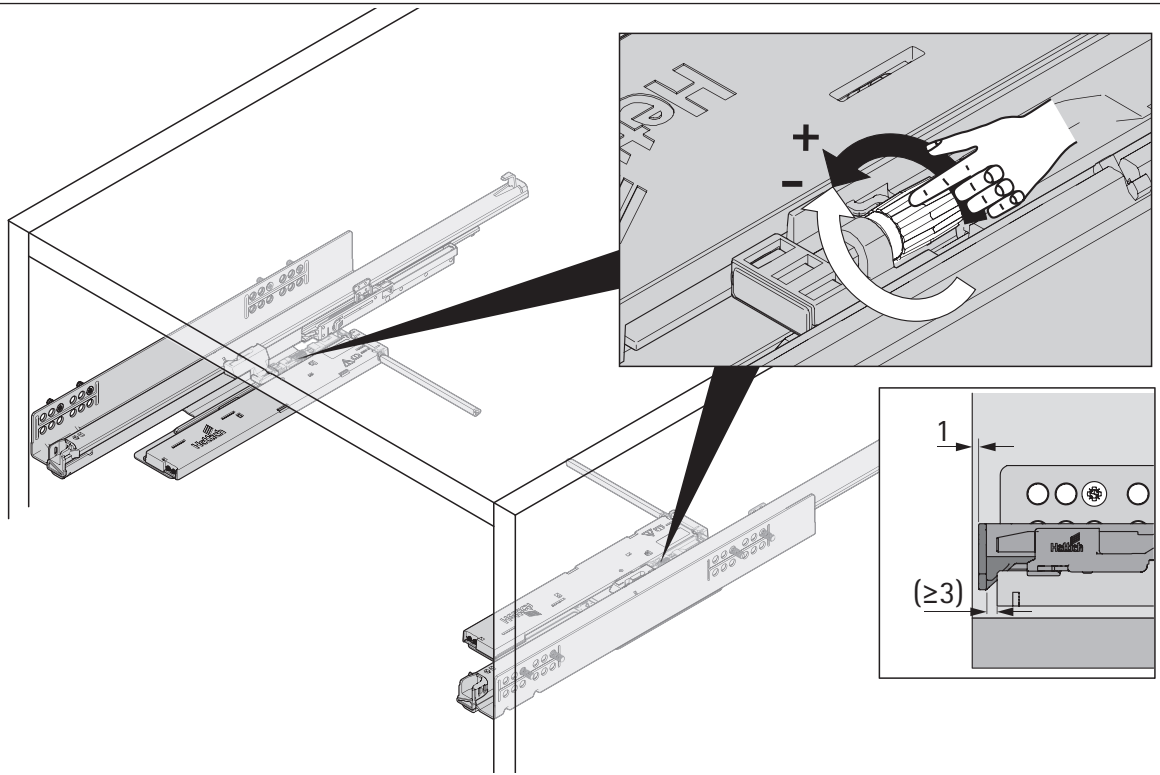
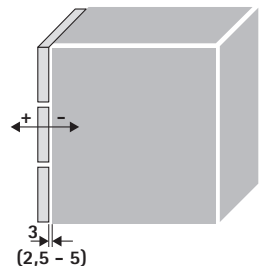
	A	B	C
a	215	286	296
b	65	136	66
c	201	272	282



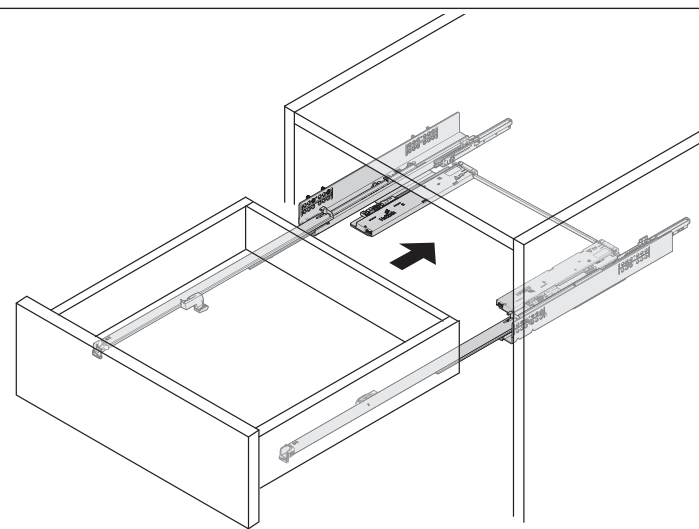
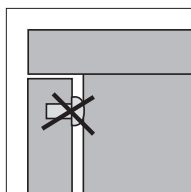
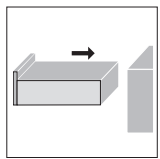
3



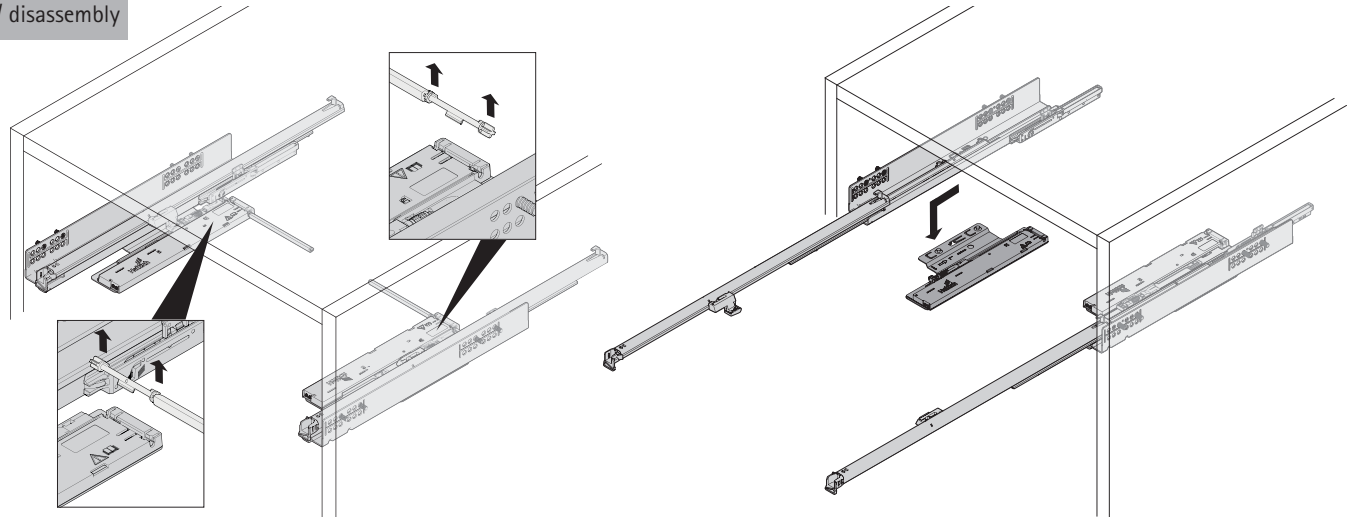
9 257 326

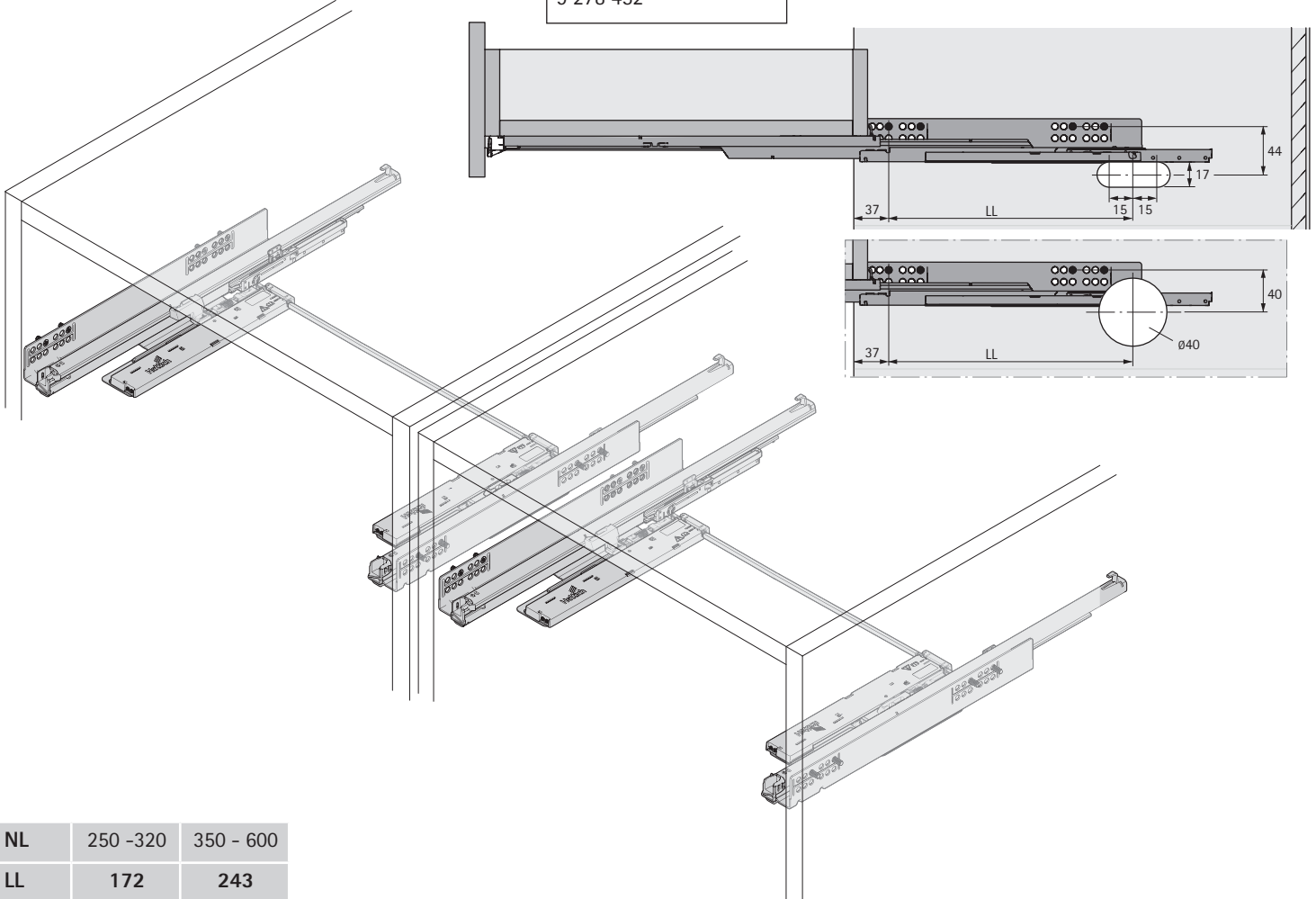
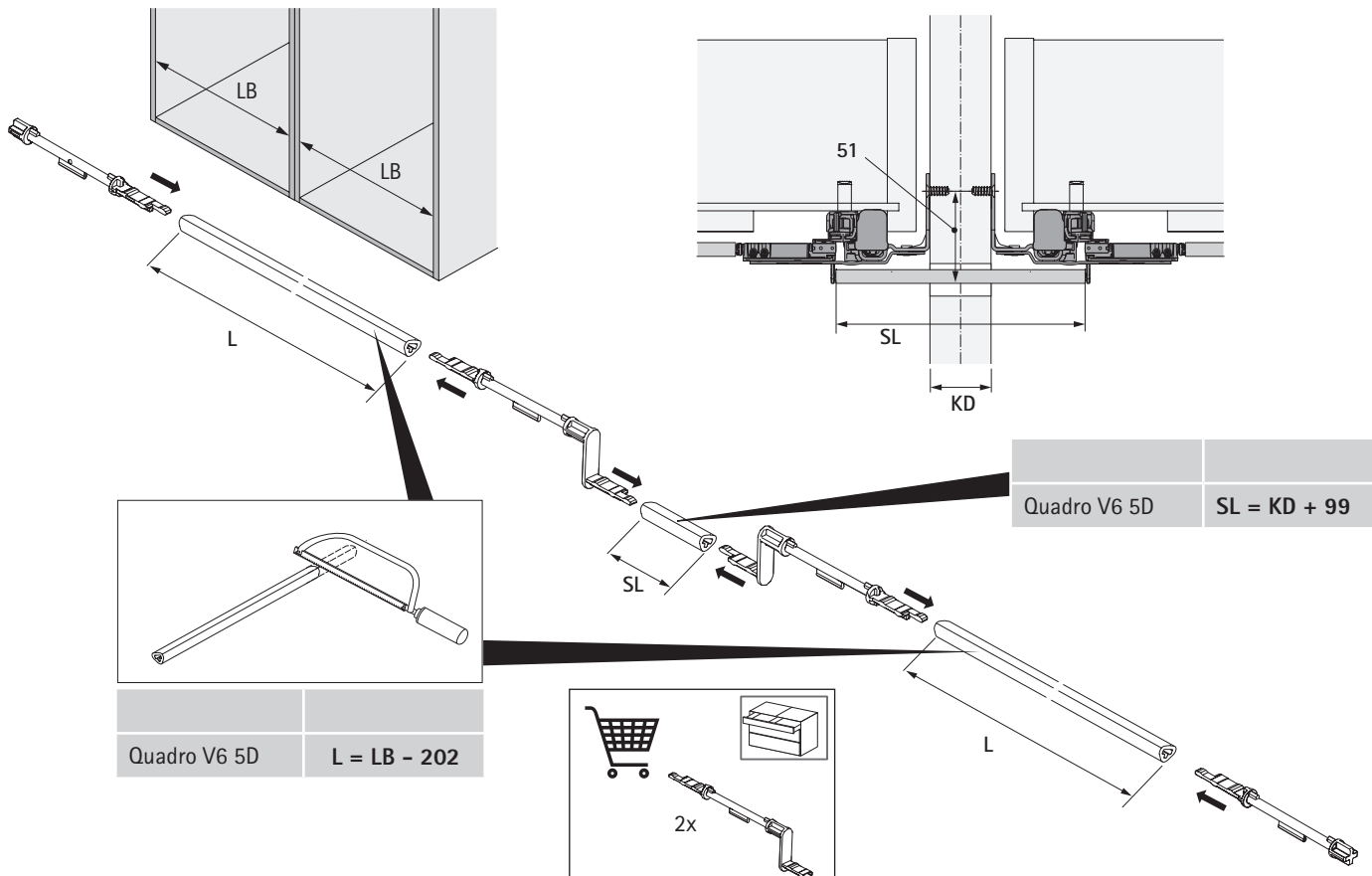
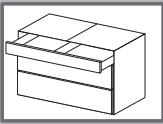


4



Demontage / disassembly





NL	250 - 320	350 - 600
LL	172	243

# Runner systems for wooden drawers

- ▶ **Quadro accessories**
- ▶ **Push to open Silent für Quadro V6 5D**

## Push to open Silent opening system



- ▶ For optimum performance and activation, fitting an optional synchronisation function is recommended

Set comprises:

- ▶ 1 Push to open Silent unit, left and right
- ▶ 1 activator, left and right
- ▶ 2 adapters for synchronisation

Total weight kg	Load class for Quadro	Nominal length mm	Order no.	PU
< 10	XS (10 kg)	250 - 350	<b>9 257 894</b>	1 set
8 - 20	M (30 kg)	250 - 600	<b>9 257 895</b>	1 set
10 - 30	M (30 kg)	350 - 600	<b>9 257 896</b>	1 set

## Recommendation for drawer (front panel height up to approx. 150 mm, light duty loading)\*

Nominal length mm	Nominal width mm													
	275	300	350	400	450	500	550	600	700	800	900	1000	1200	
250 - 300														
320 - 350														
380 - 550														
580 - 600														

## Recommendation for pot-and-pan drawer (front panel height up to approx. 300 mm, medium duty loading)\*

Nominal length mm	Nominal width mm													
	275	300	350	400	450	500	550	600	700	800	900	1000	1200	
250 - 300														
320 - 350														
380 - 550														
580 - 600														

## Recommendation for pot-and-pan drawer, heavy duty (front panel height up to approx. 300 mm, heavy duty loading, e.g. with stacks of plates)\*

Nominal length mm	Nominal width mm													
	275	300	350	400	450	500	550	600	700	800	900	1000	1200	
250 - 300														
320 - 350														
380 - 550														
580 - 600														

Order no. Push to open Silent:

**9 257 894**

**9 257 895**

**9 257 896**

\* Recommendations for standard applications (front panel 19 mm chipboard, normal household loading), please refer to our online configurator to get more exact recommendations for customer chosen front panel dimensions and materials.

### Advice

- ▶ Quality criteria

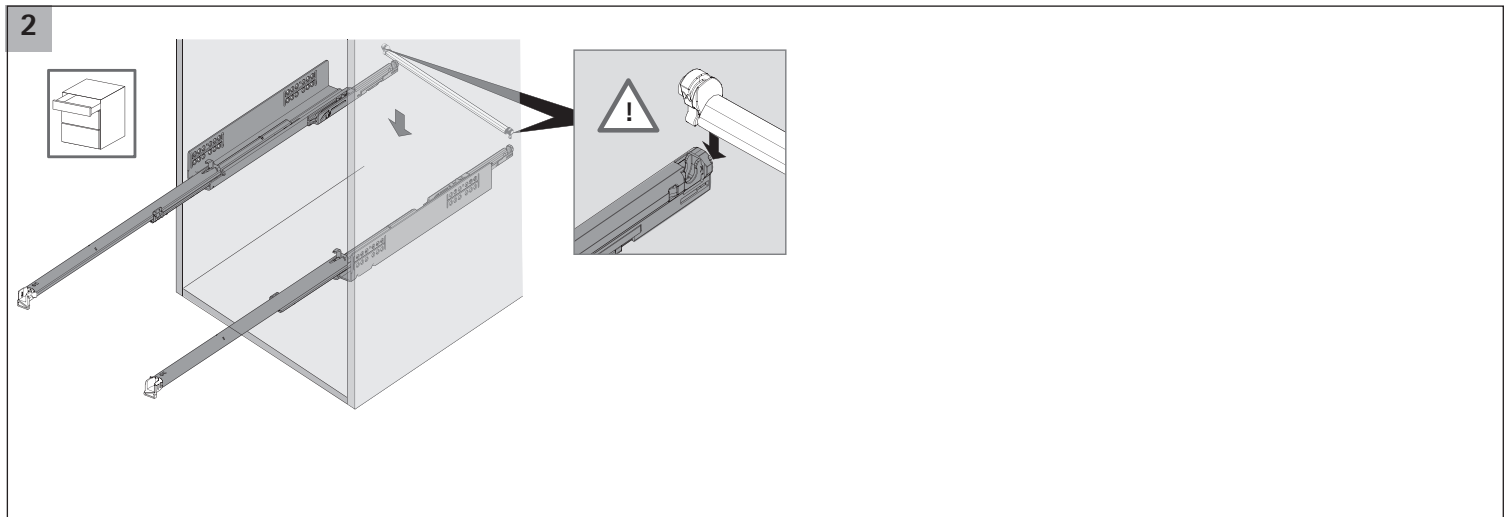
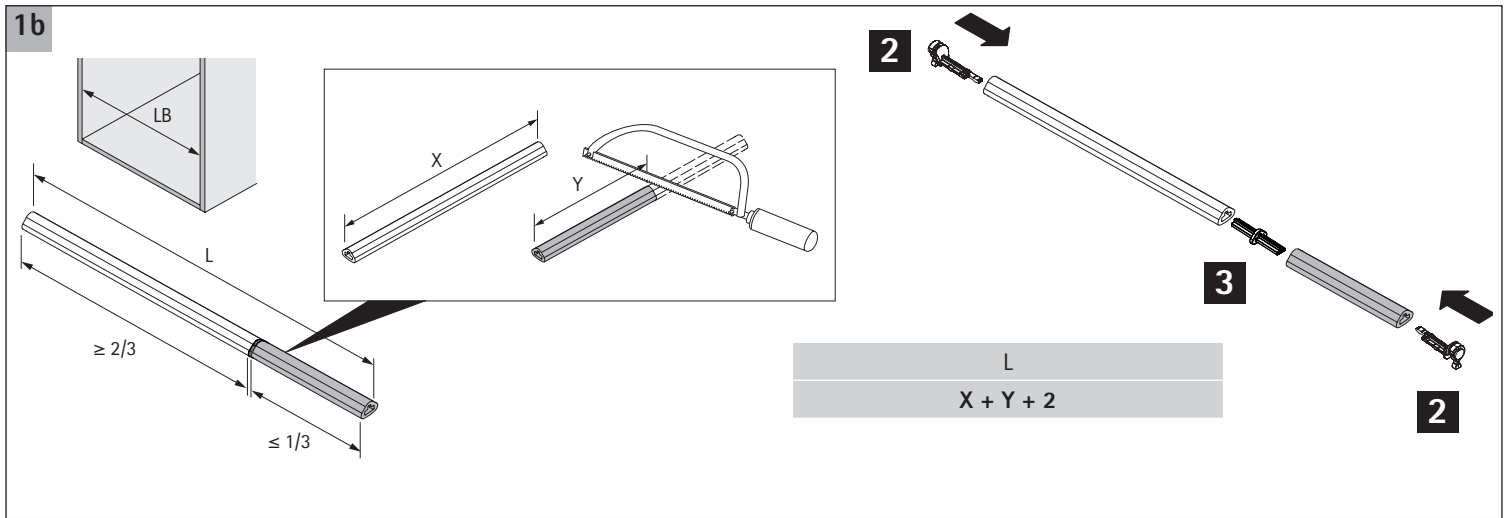
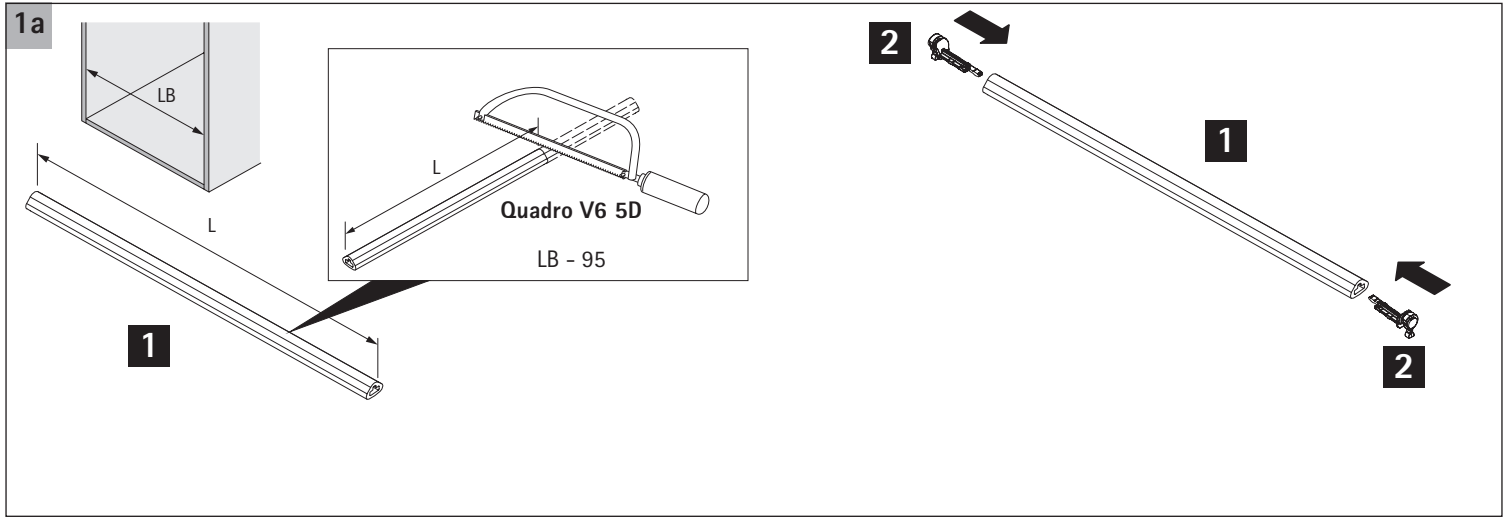
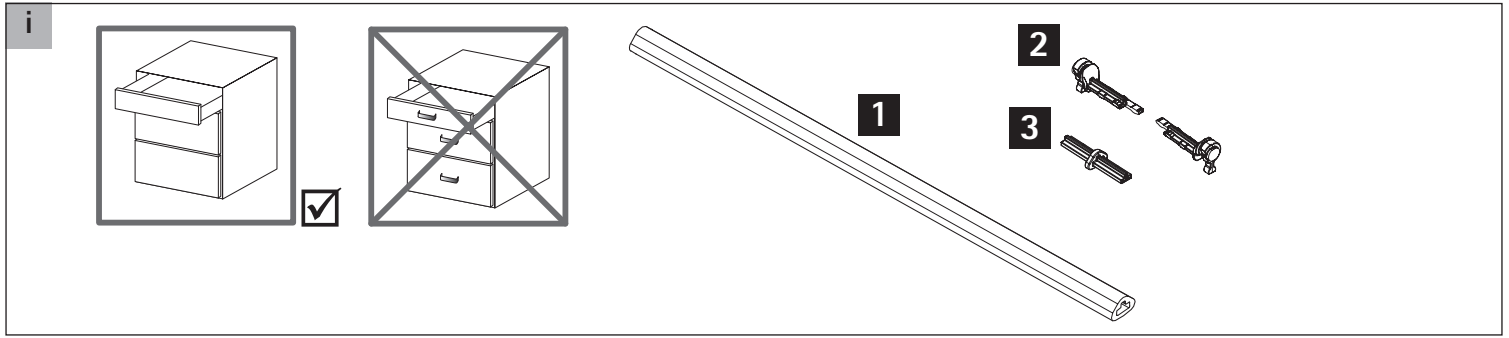
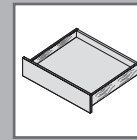
801



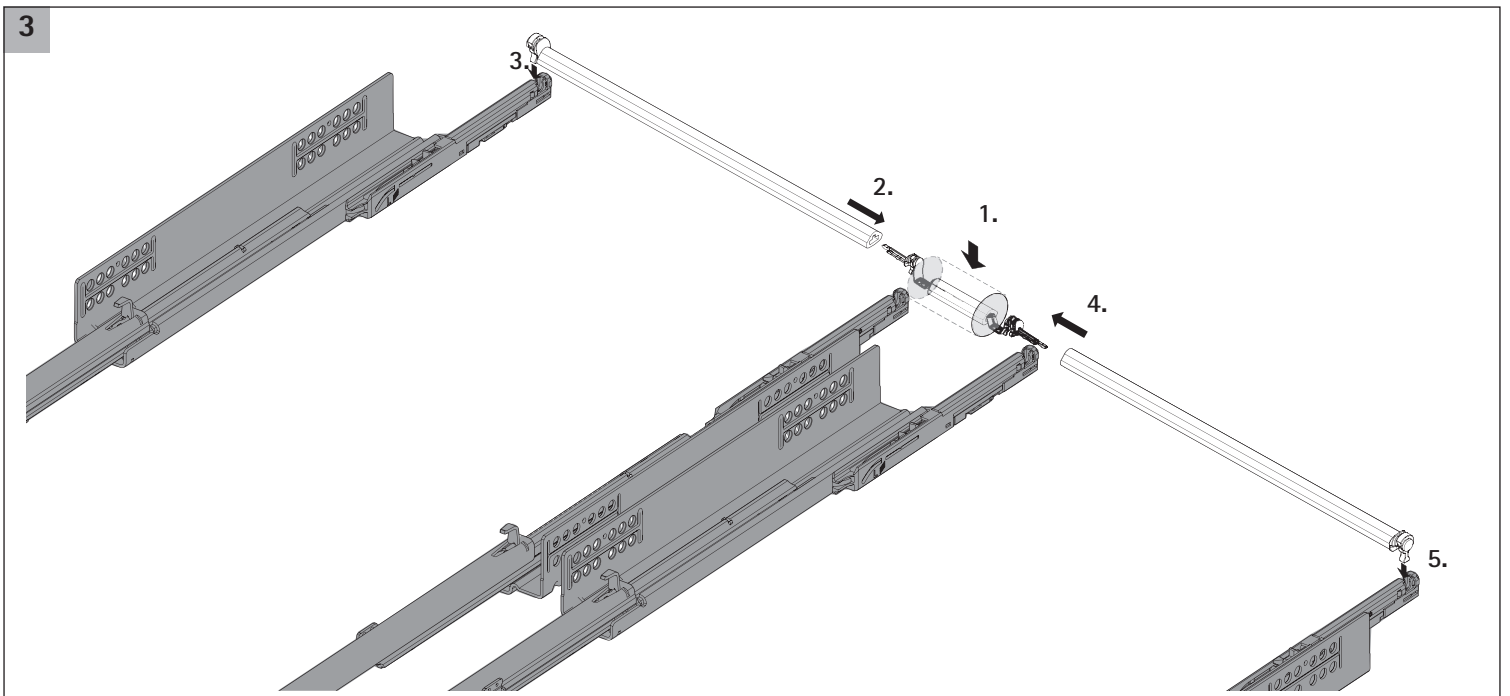
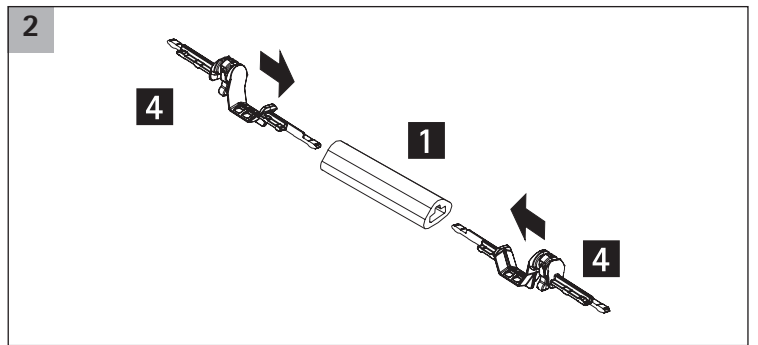
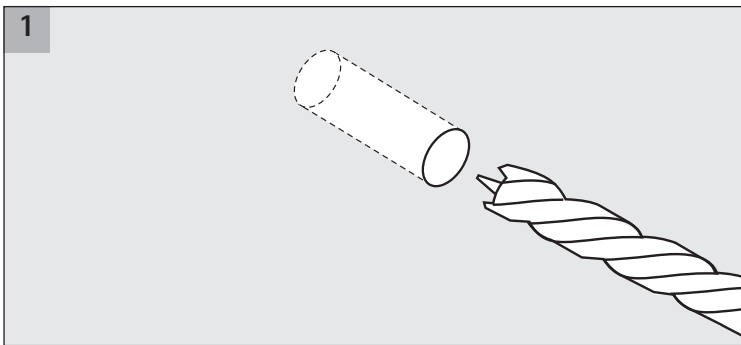
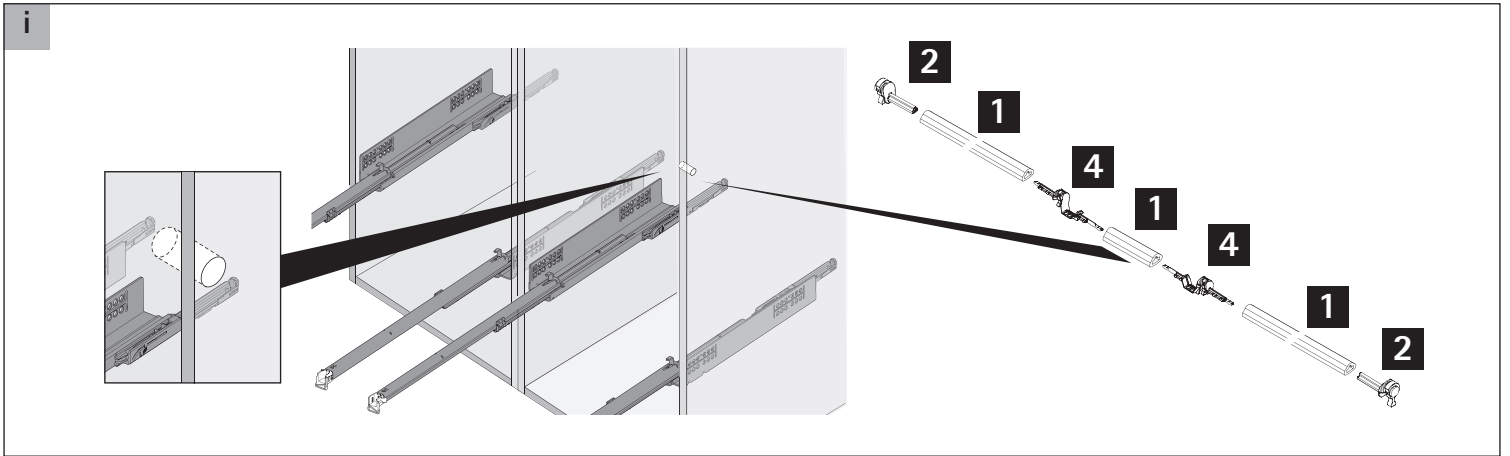
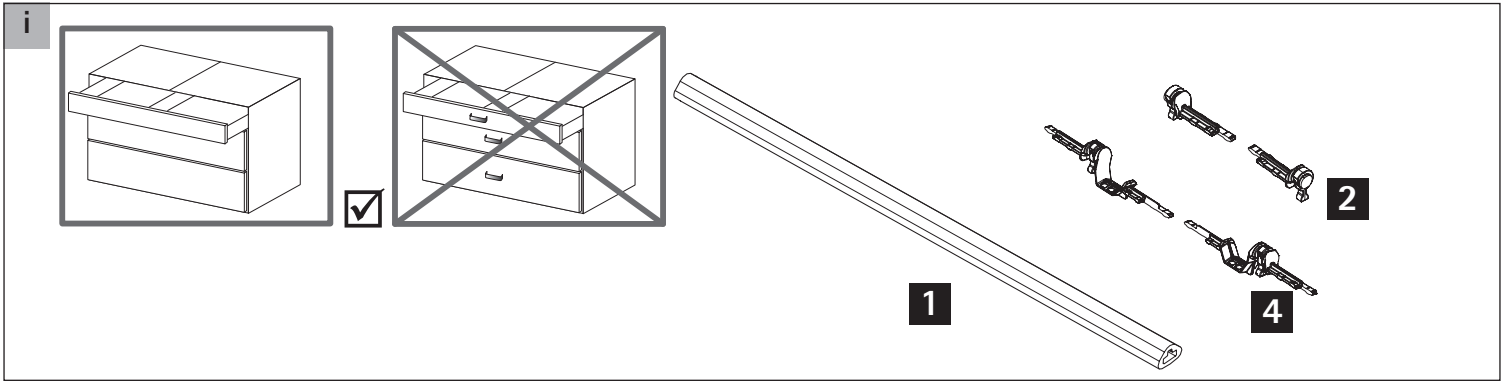
[hettich.com/short/6c940e](https://hettich.com/short/6c940e)

# Quadro V6 5D für Holzschubkästen / for wooden drawer

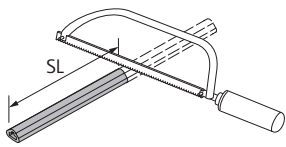
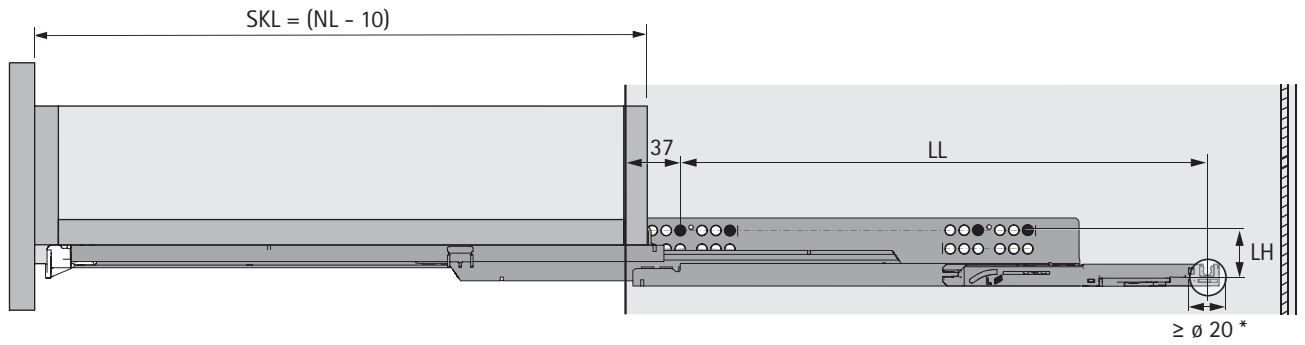
Push to open Synchro/Multisynchronisation



# Push to open Multisynchronisation

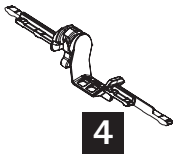
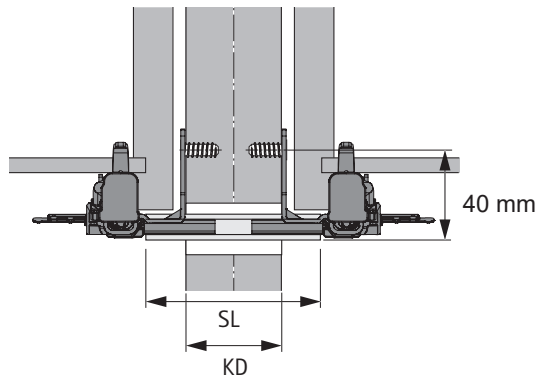
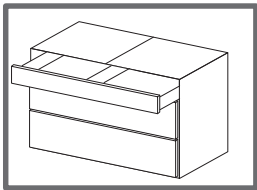


i



**Quadro V6 5D:**  
 $SL = KD + 40$

	LH mm
Quadro V6 5D	33



**4**

	Quadro V6 5D														
NL mm	250	270	300	320	350	380	400	420	450	480	500	520	550	580	600
LL mm	204	204	204	247	247	322	340	346	369	369	394	394	430	437	437