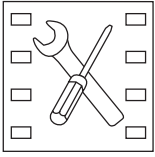
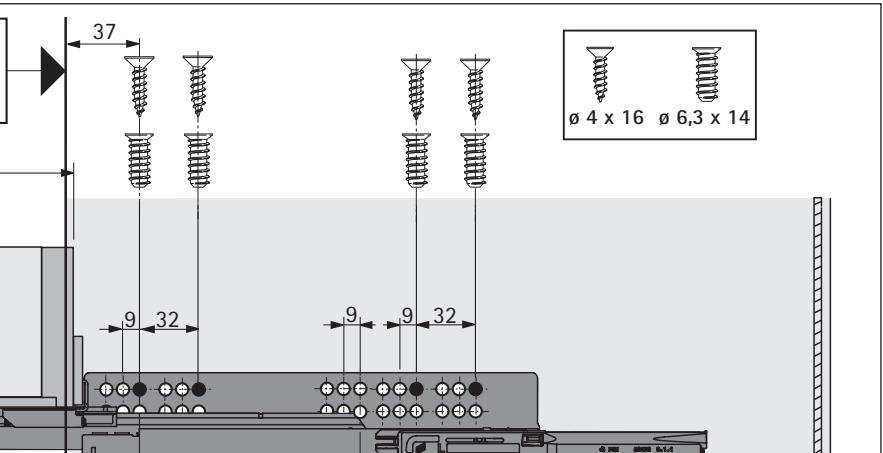
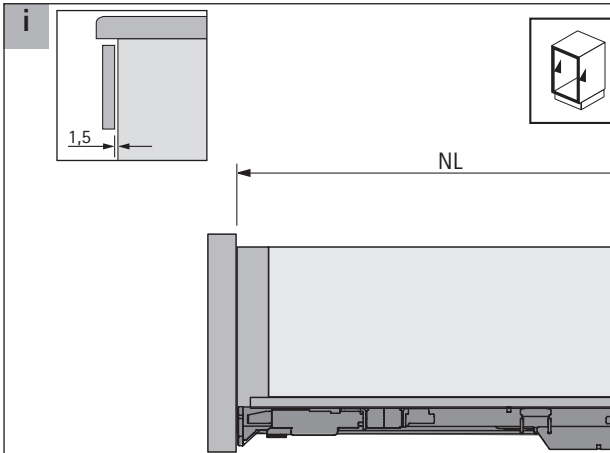
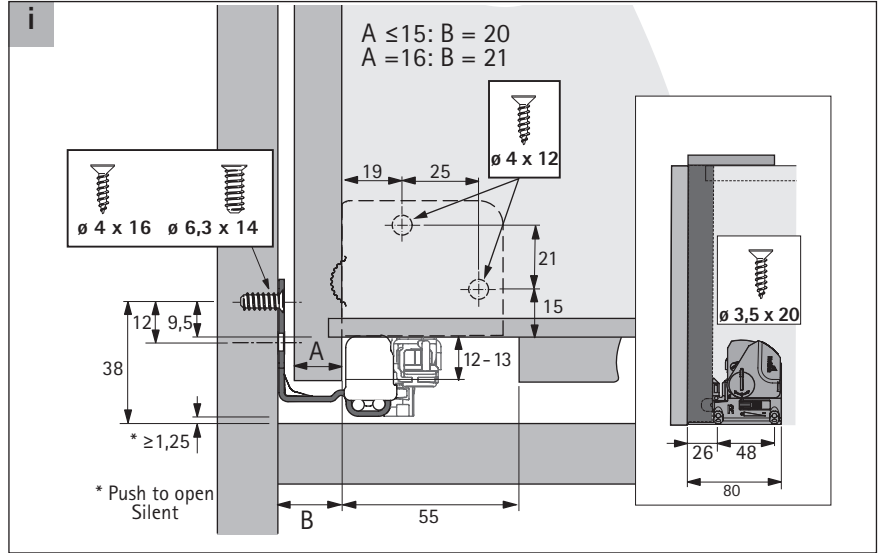
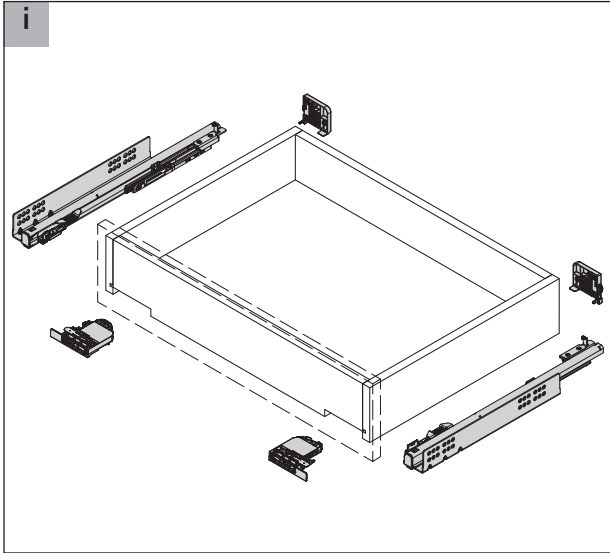


Quadro 4D V6 Silent System

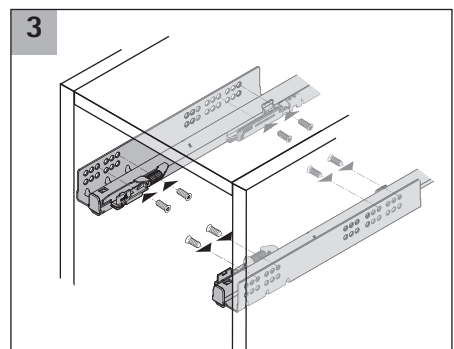
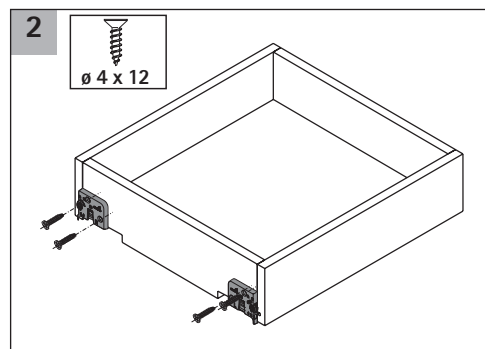
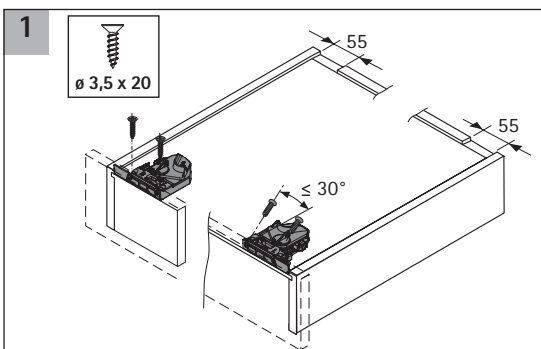
Technik für Möbel

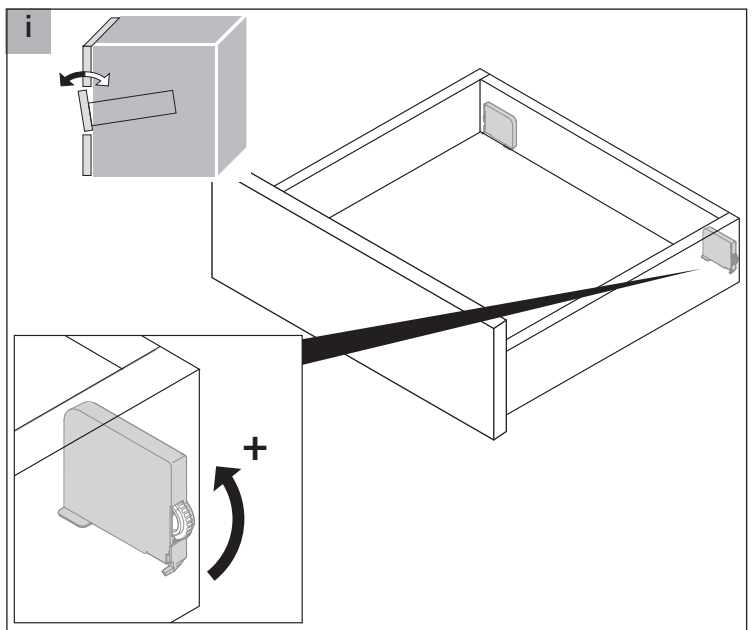
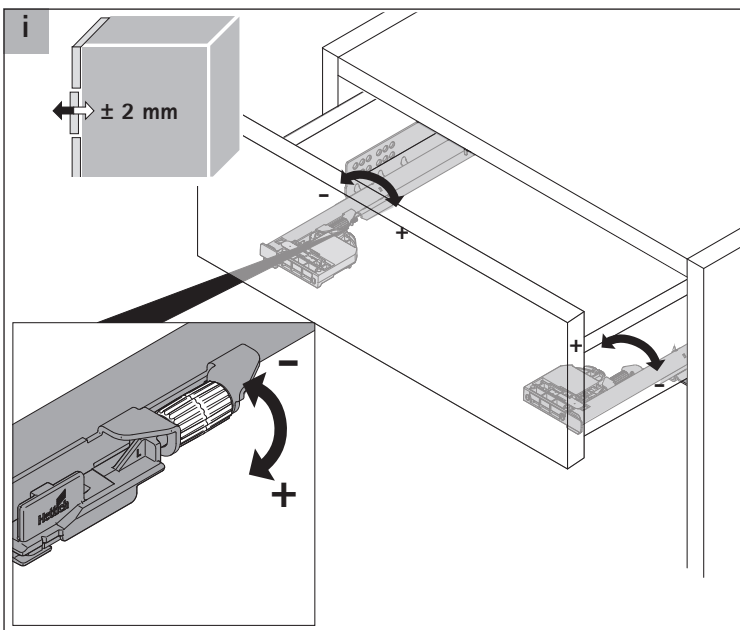
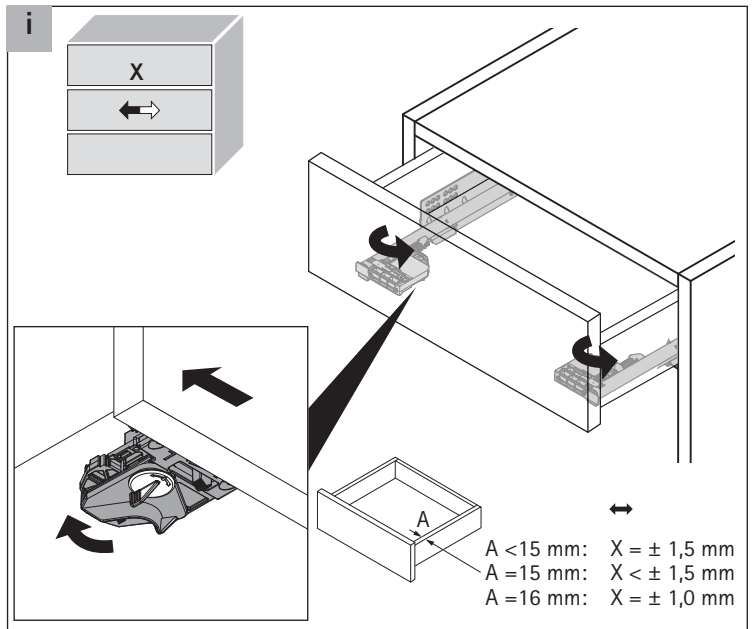
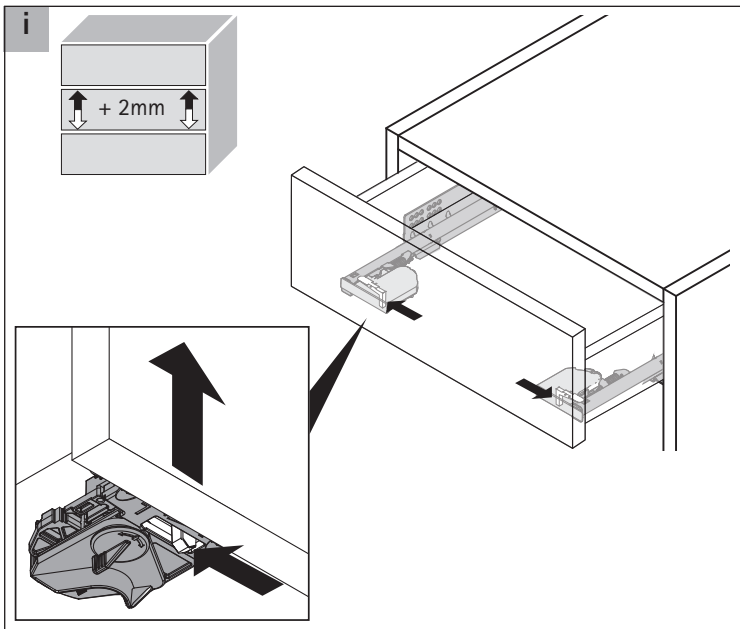
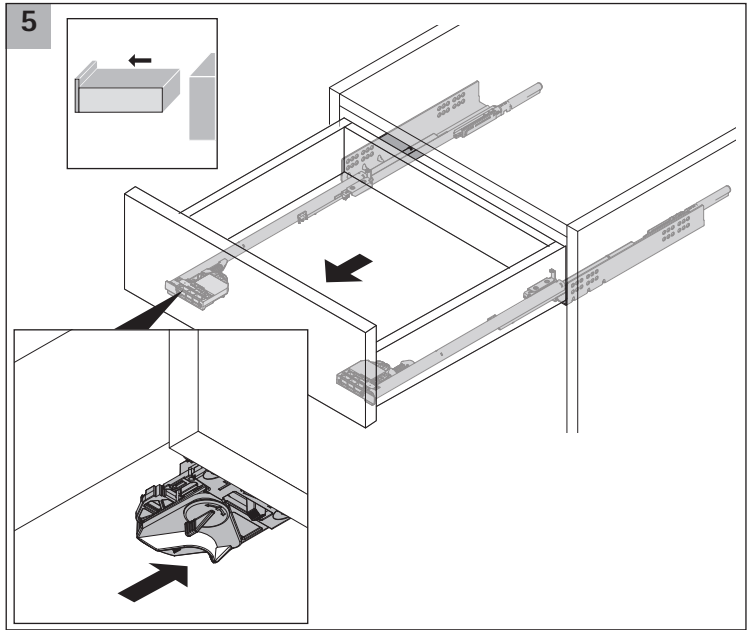
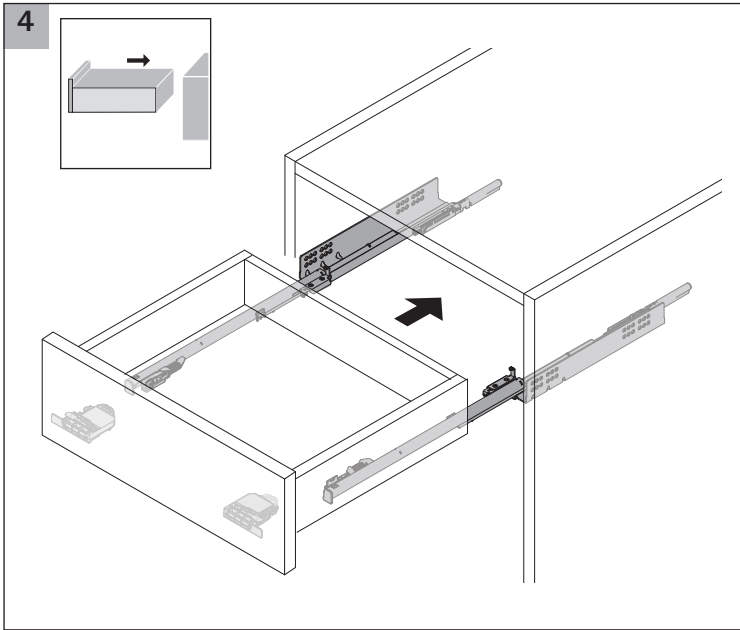


<http://www.hettich.com/short/f4ad3e>



NL	KT	b1	b2	NL	KT	b1	b2
250	263	142	-	450	463	256	-
280	293	160	-	480	493	256	-
300	313	192	-	500	513	288	224
320	333	192	-	520	533	288	224
350	363	192	-	550	563	288	224
380	393	224	-	580	593	352	-
400	413	224	-	600	613	352	-
420	433	224	-				

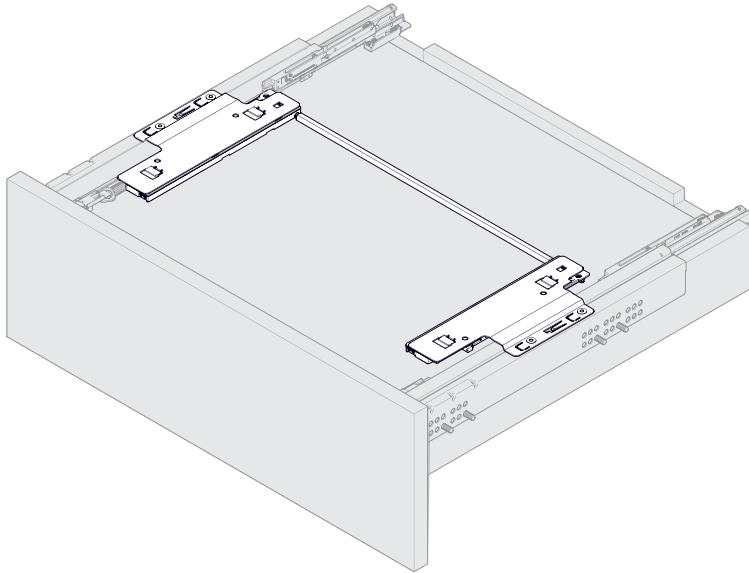
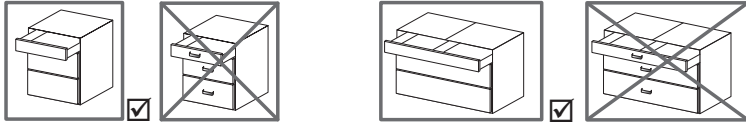
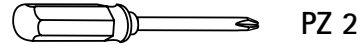




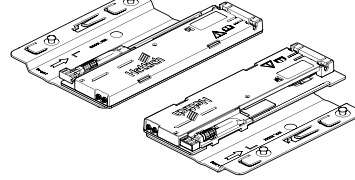
Quadro 4D V6

Push to open Silent

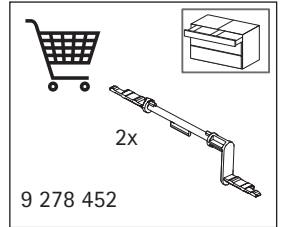
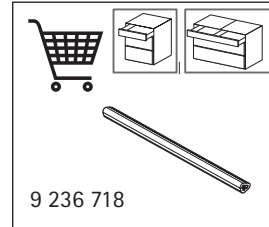
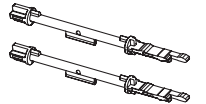
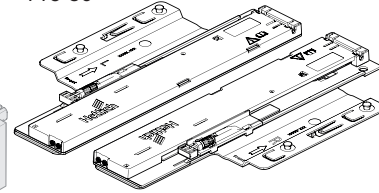
Technik für Möbel



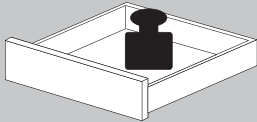
PTO 10/20



PTO 30



i 1

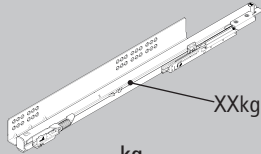


kg

3 - 10

8 - 20

10 - 30

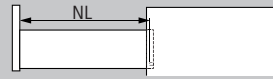


kg

10

30

30



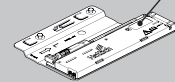
mm

250 - 350

250 - 600

350 - 600

PTO 10/20/30

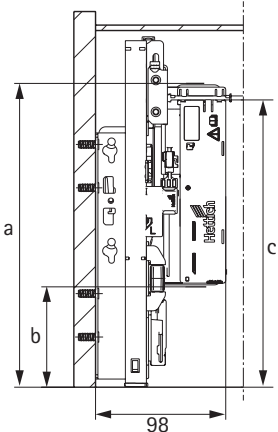


PTO 10

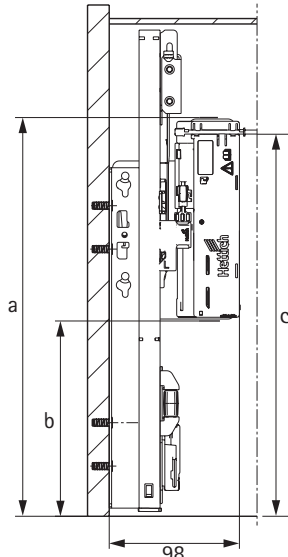
PTO 20

PTO 30

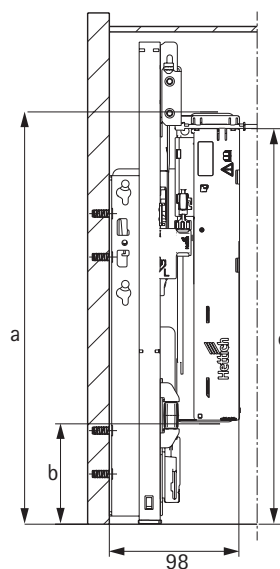
A
PTO 10/20
NL 250



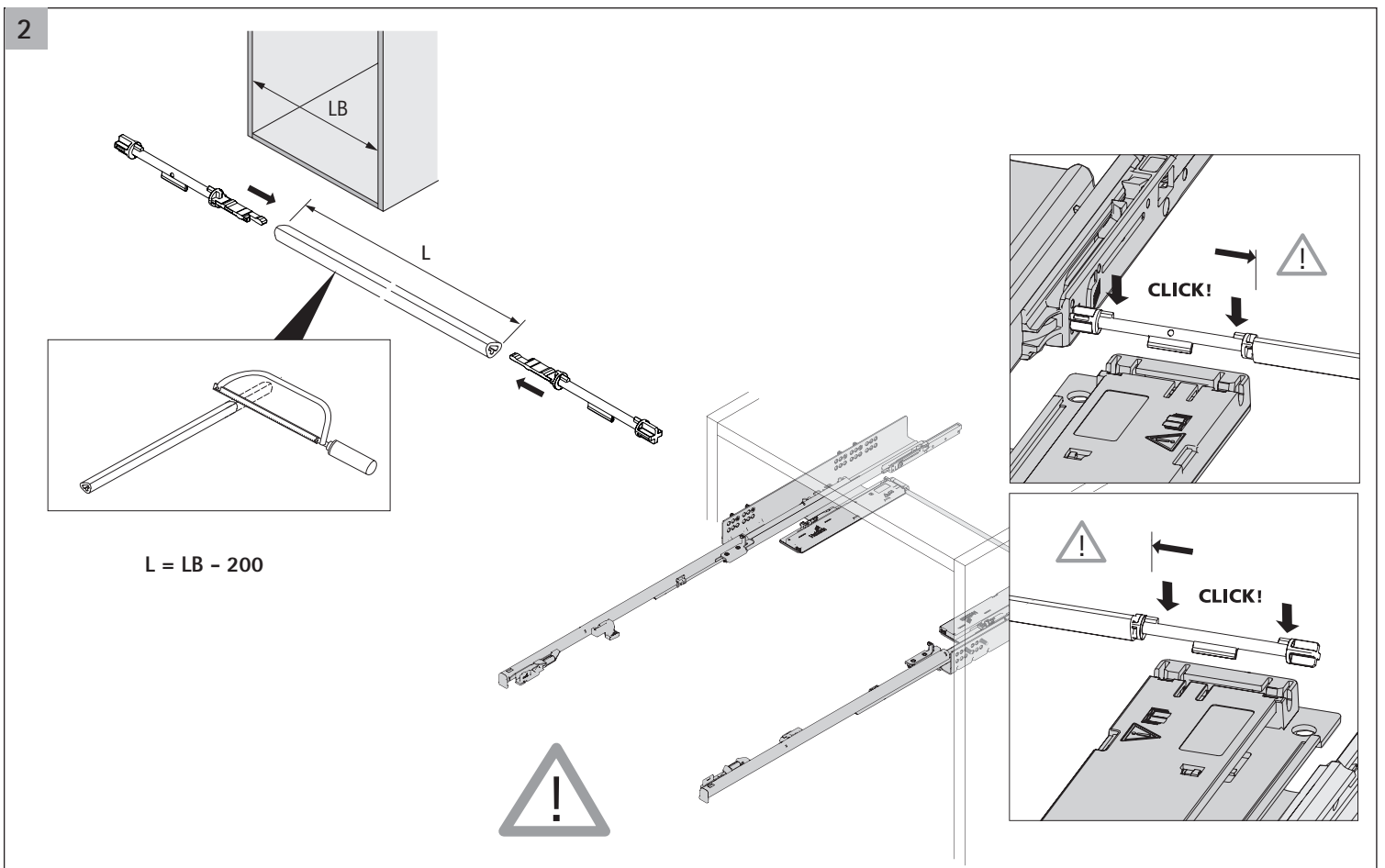
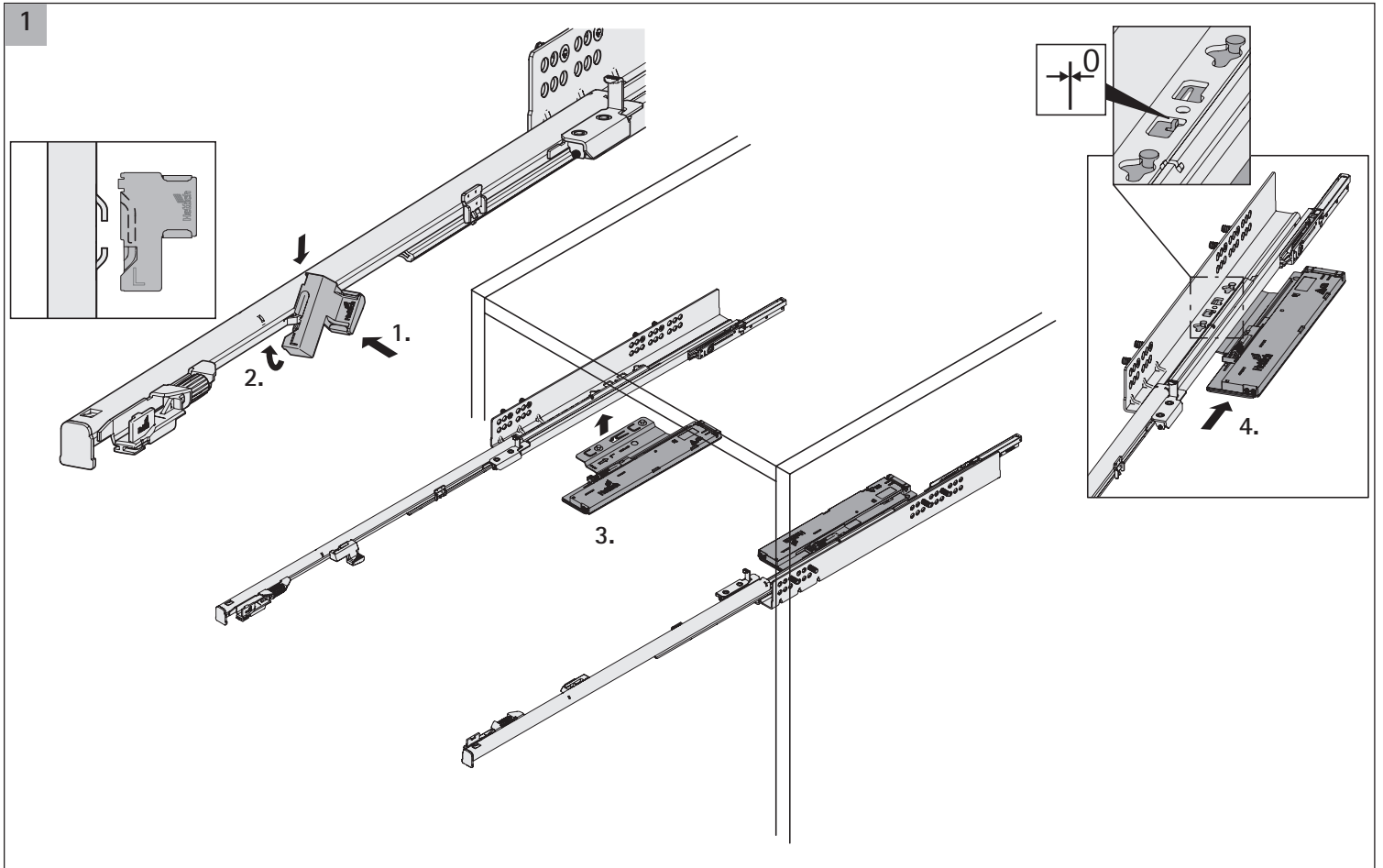
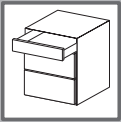
B
PTO 10/20
NL 350 - 600



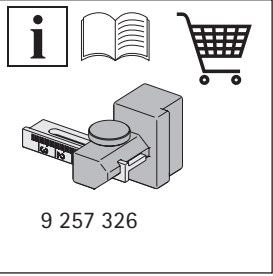
C
PTO 30
NL 350 - 600



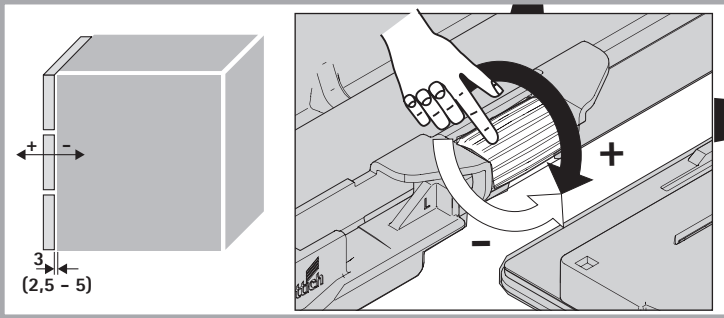
	A	B	C
a	224	294	304
b	74	144	174
c	210	280	290



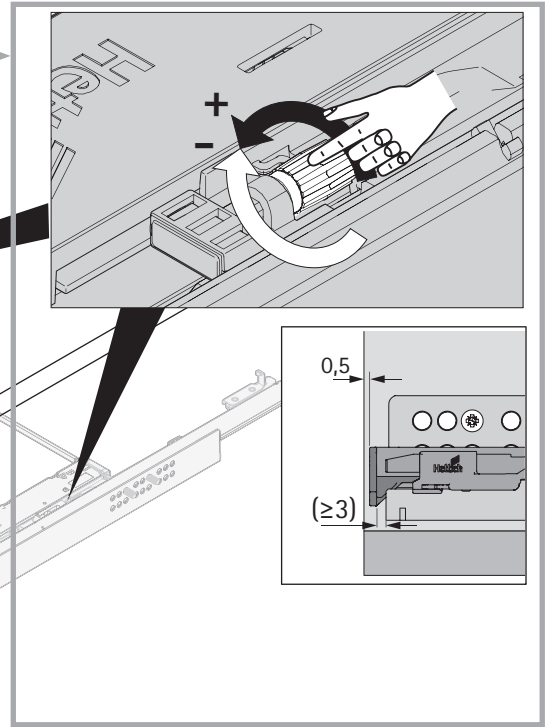
3



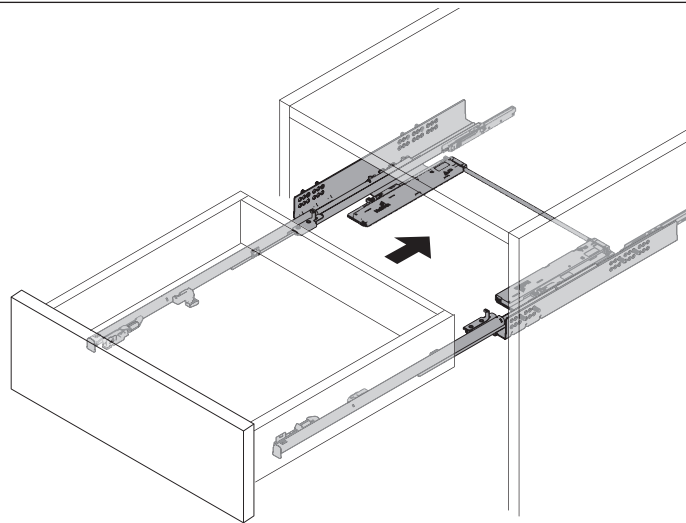
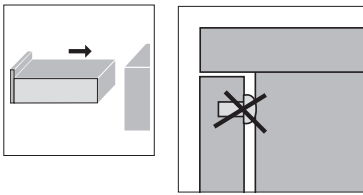
2. ↓



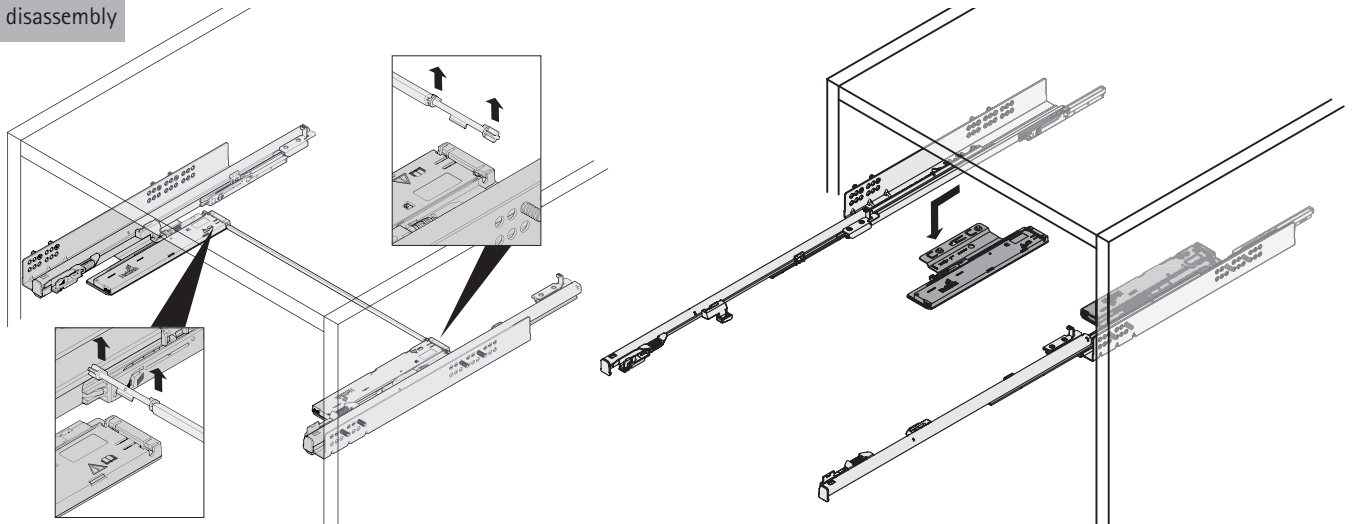
1. →

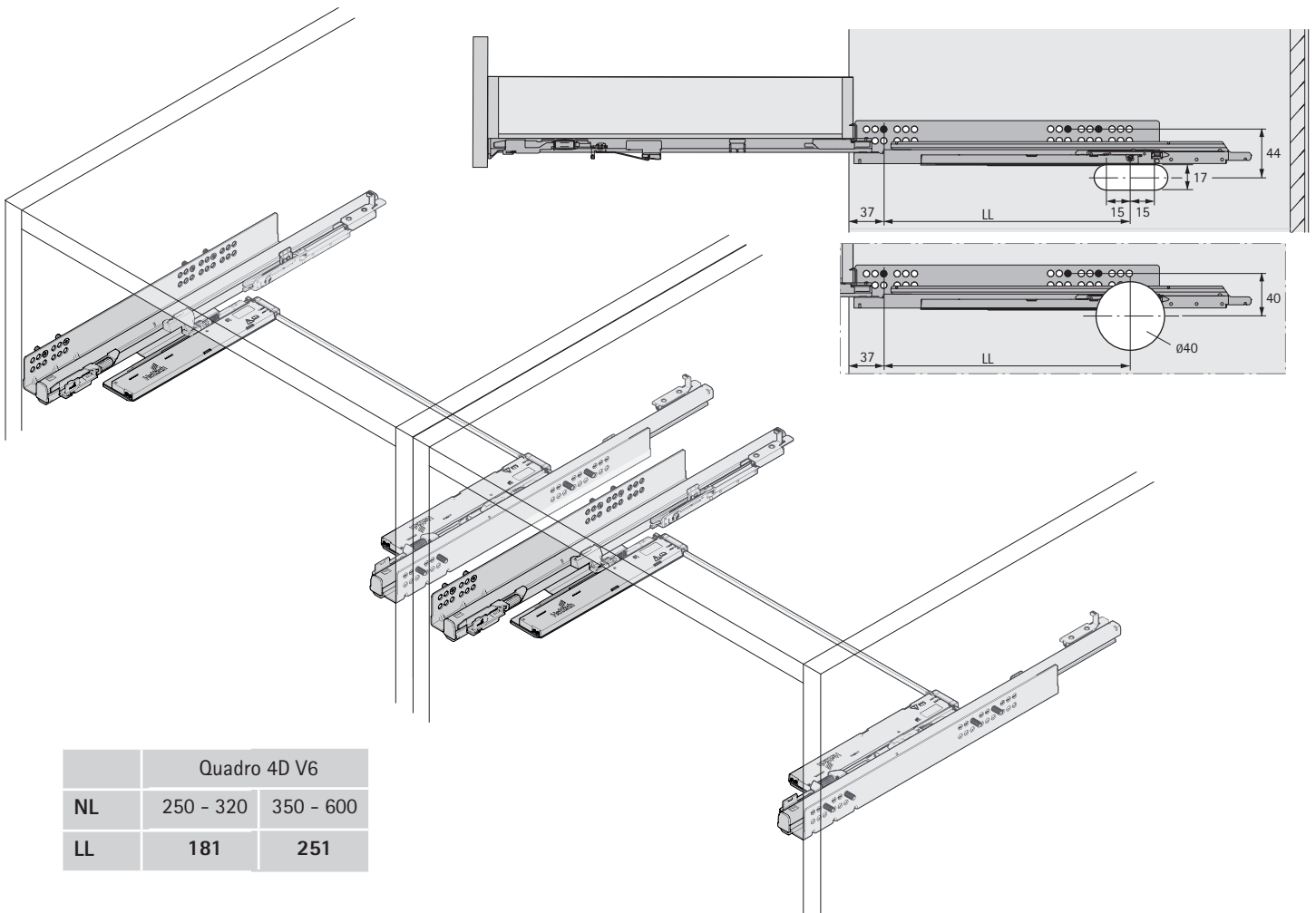
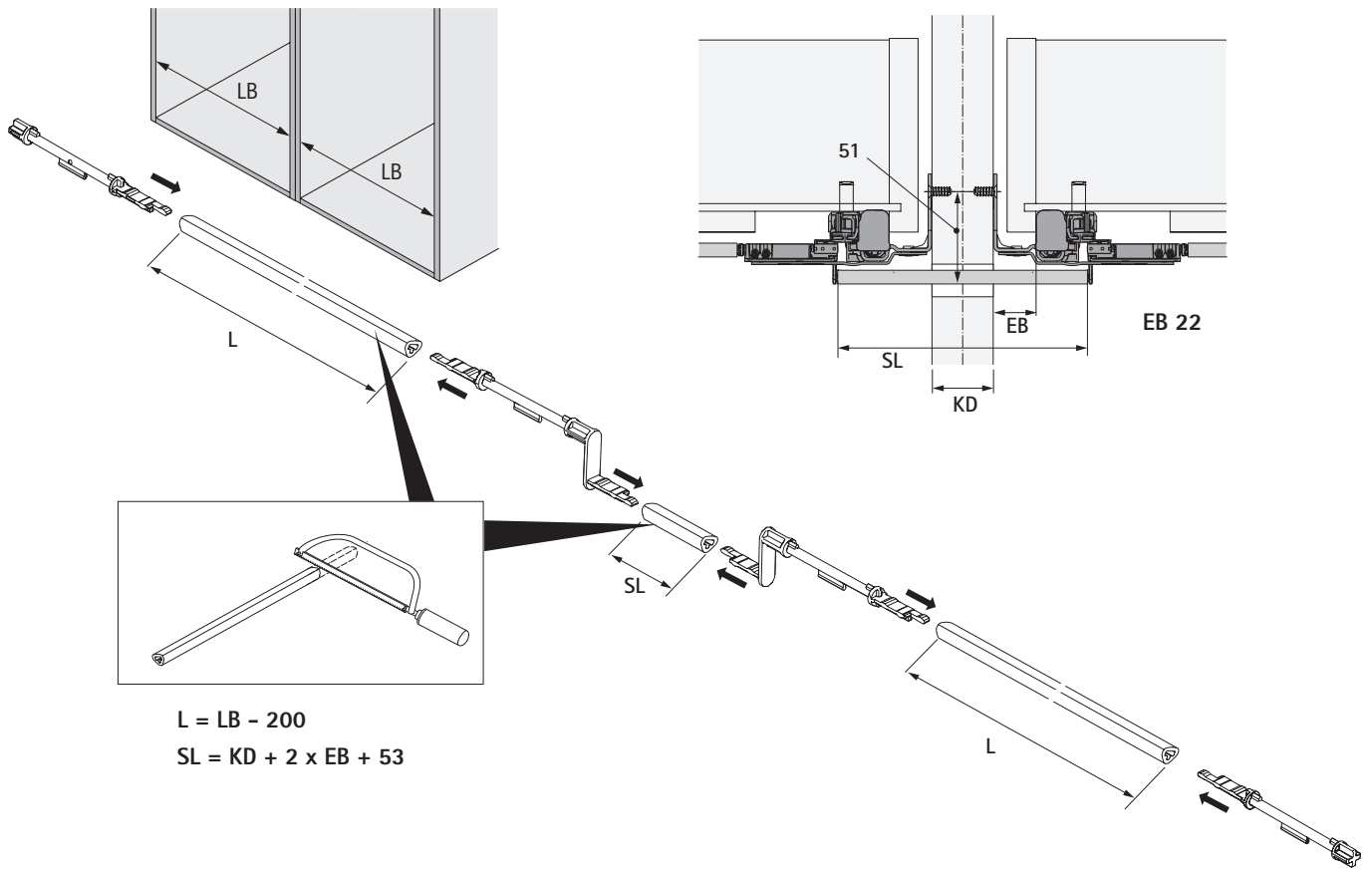
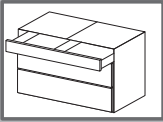


4



Demontage / disassembly





Quadro 4D V6		
NL	250 - 320	350 - 600
LL	181	251

Runner systems for wooden drawers

- ▶ **Quadro accessories**
- ▶ **Push to open Silent for Quadro 4D V6 with Silent System**

Recommendation for drawer (front panel height up to approx. 150 mm)*

Nominal length mm	Nominal width mm												
	275	300	350	400	450	500	550	600	700	800	900	1000	1200
250 - 300													
320 - 350													
380 - 550													
580 - 600													

Recommendation for pot-and-pan drawer (front panel height up to approx. 300 mm, light to medium duty loading)*

Nominal length mm	Nominal width mm												
	275	300	350	400	450	500	550	600	700	800	900	1000	1200
250 - 300													
320 - 350													
380 - 550													
580 - 600													

Recommendation for pot-and-pan drawer, heavy duty (front panel height up to approx. 300 mm, heavy duty loading, e.g. with stacks of plates)*

Nominal length mm	Nominal width mm												
	275	300	350	400	450	500	550	600	700	800	900	1000	1200
250 - 300													
320 - 350													
380 - 550													
580 - 600													

Order no. Push to open Silent:

9 246 312

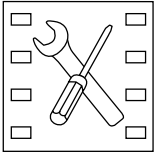
9 246 315

9 246 316

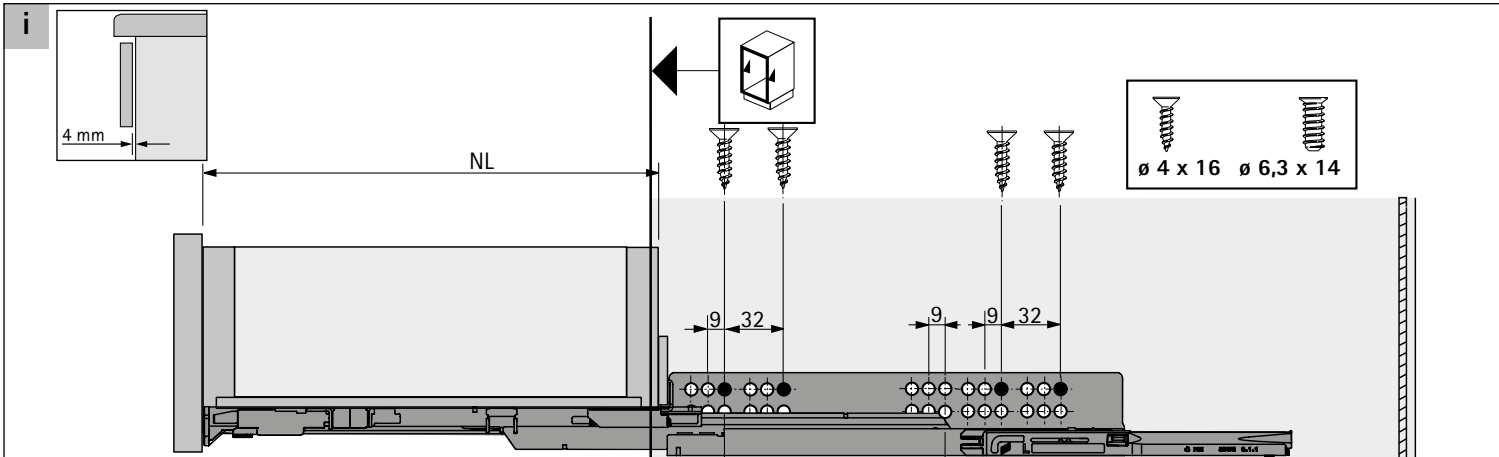
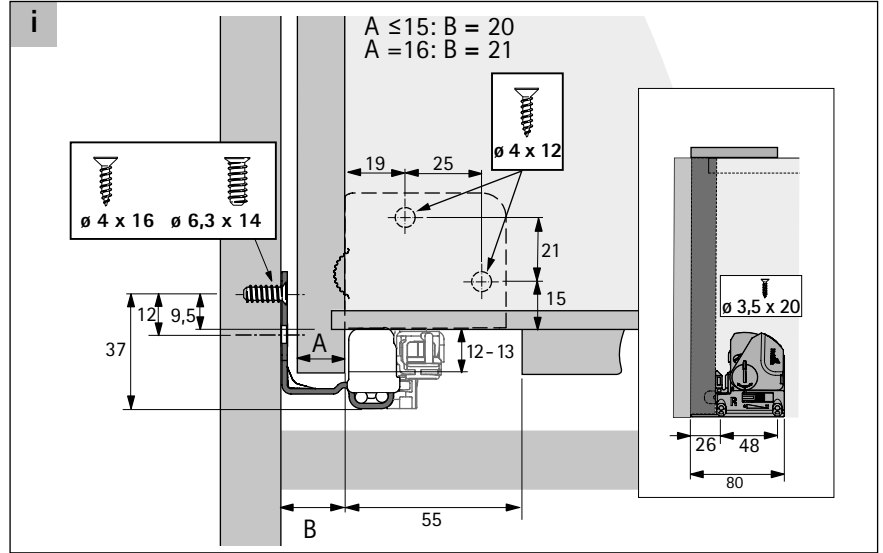
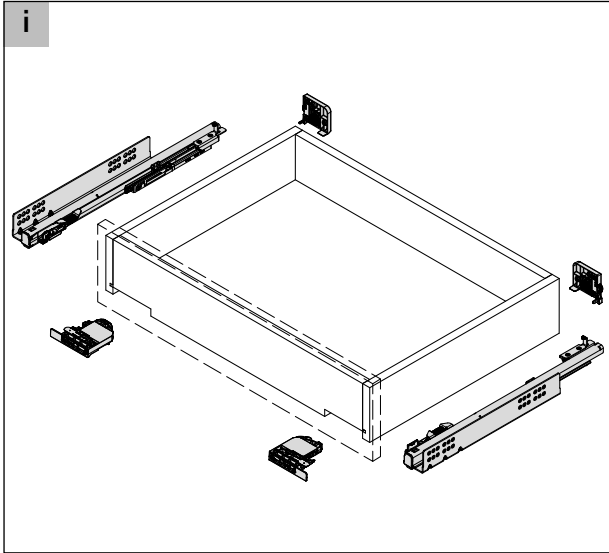
* Recommendations for applications (front panel 19 mm chipboard, normal household loading), please refer to our online configurator to get more exact recommendations for customer chosen front panel dimensions and materials.

Quadro 4D V6 Push to open

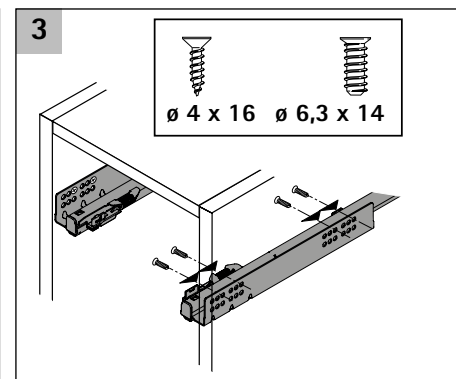
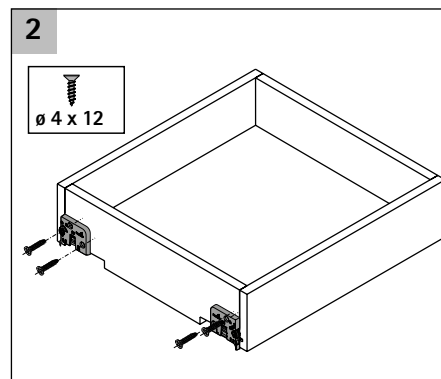
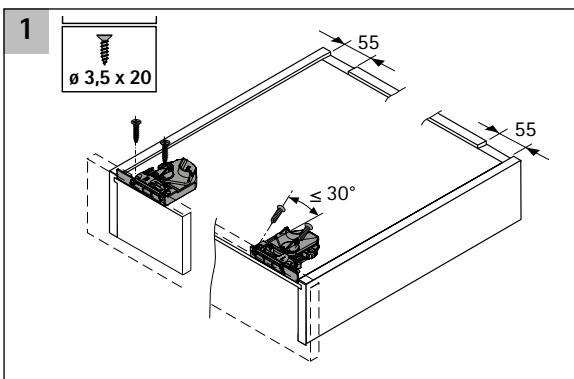
Technik für Möbel



<http://www.hettich.com/short/859c3c>

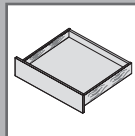


NL	KT	b1	b2	ø	NL	KT	b1	b2	ø
250	263	142	-	4 x	450	463	256	-	4 x
300	313	192	-	4 x	480	493	256	-	4 x
320	333	192	-	4 x	500	513	288	224	4 x
350	363	192	-	4 x	520	533	288	224	4 x
380	393	224	-	4 x	550	563	288	224	4 x
400	413	224	-	4 x	580	593	352	-	4 x
420	433	256	-	4 x	600	613	352	-	4 x

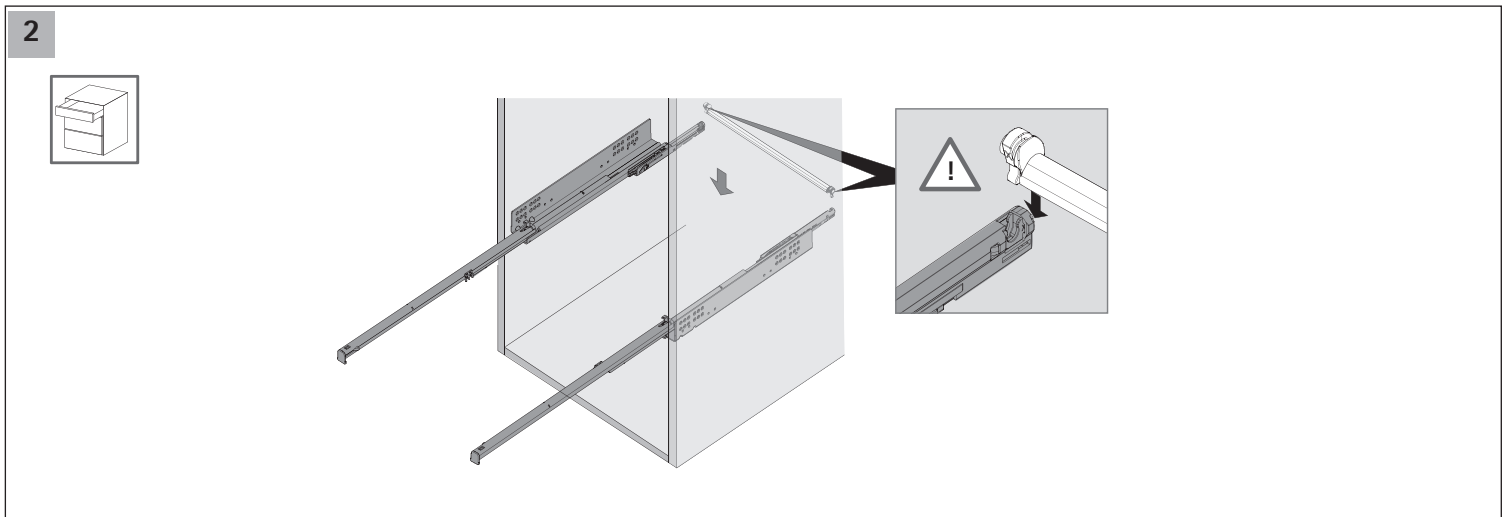
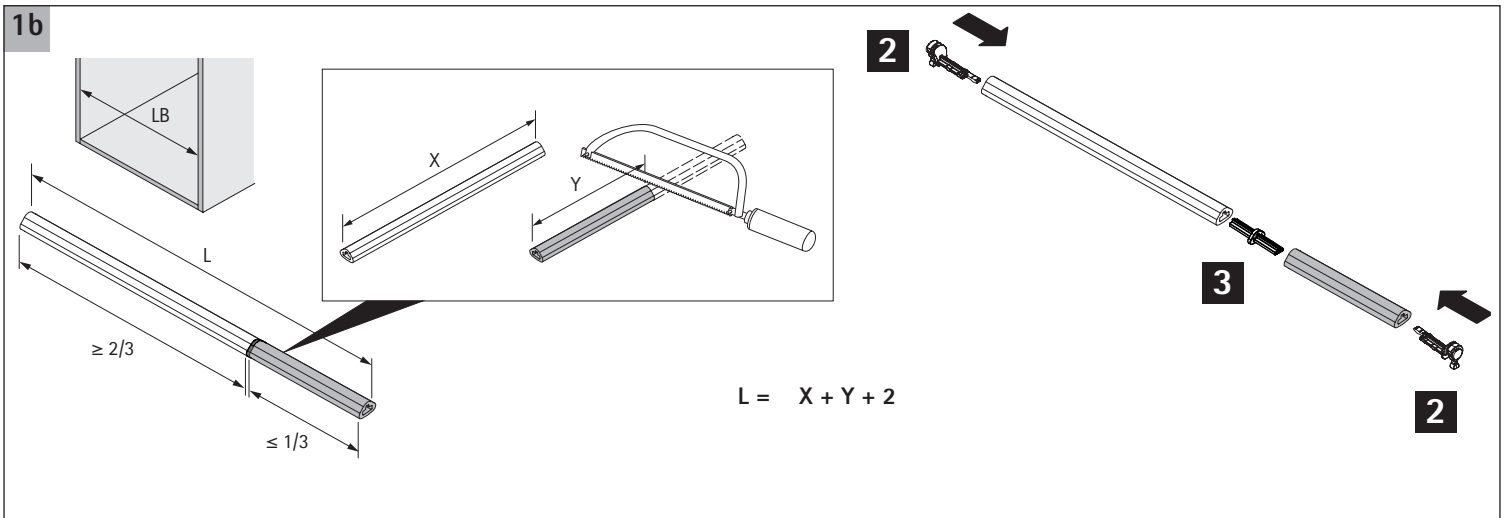
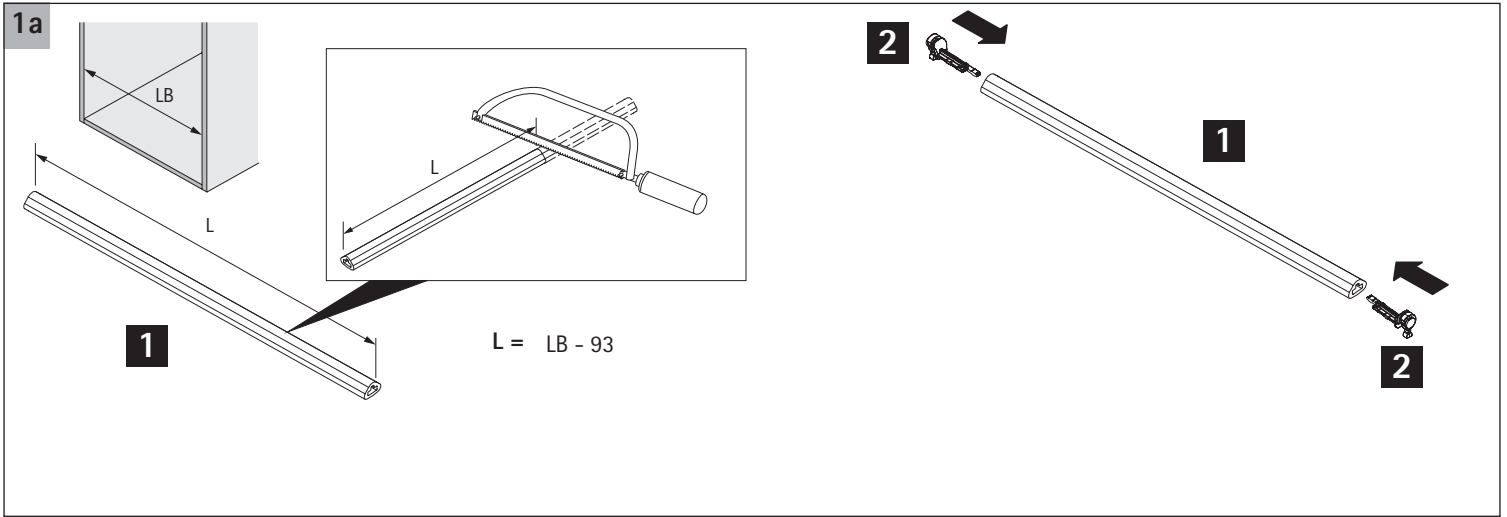
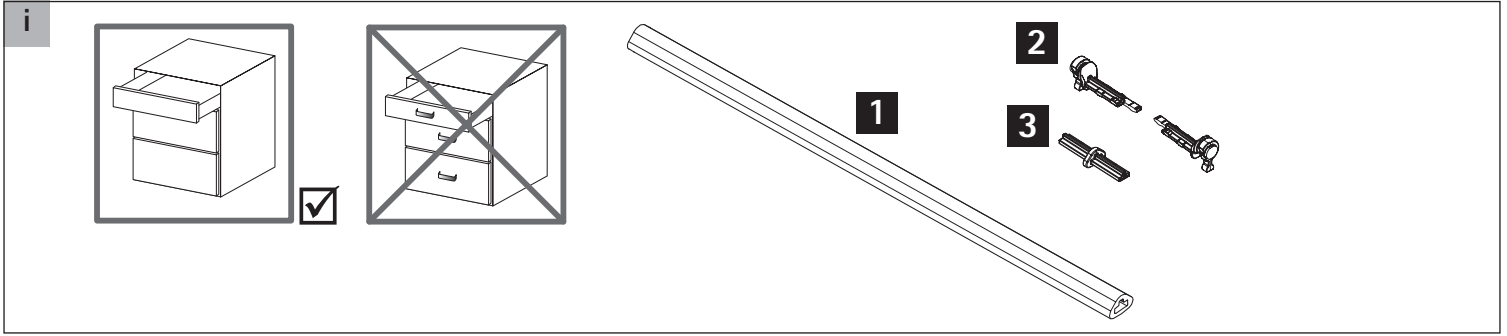


Quadro 4D V6 Push to open for wooden drawer

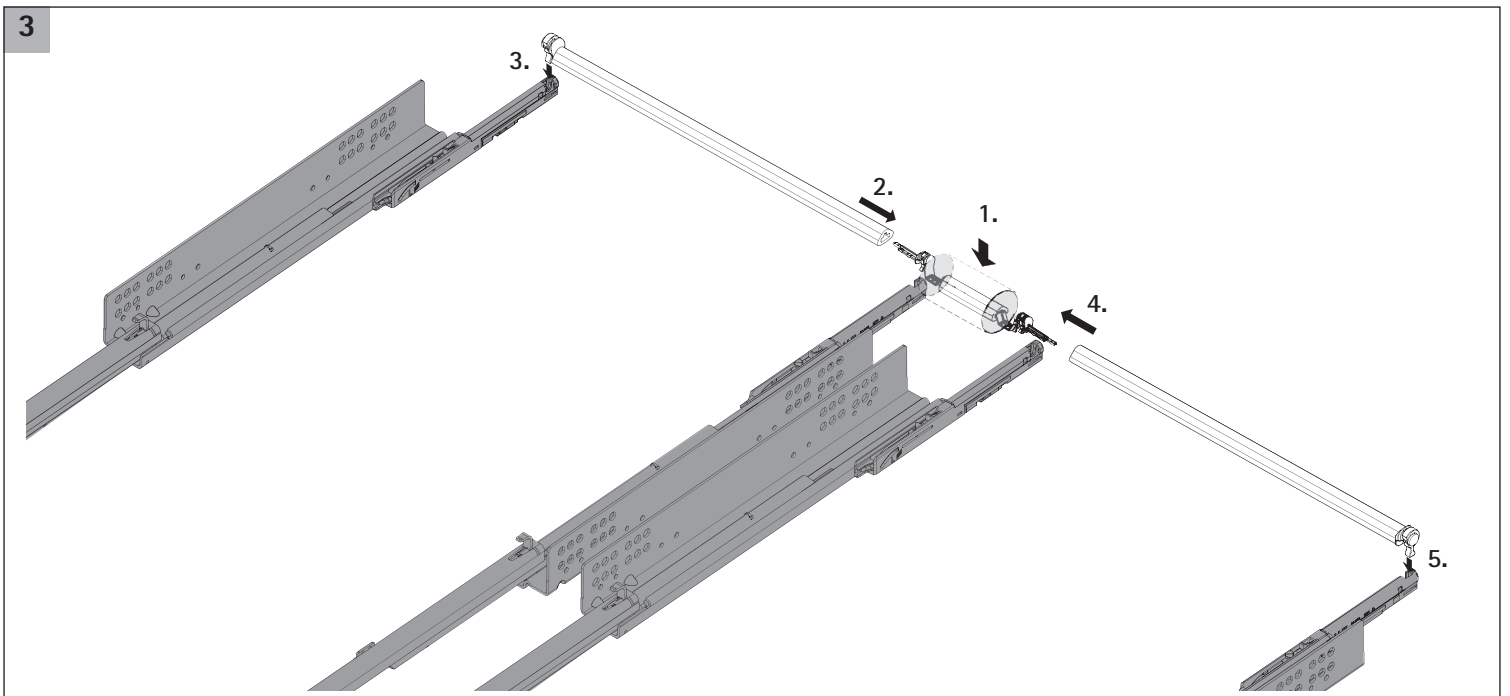
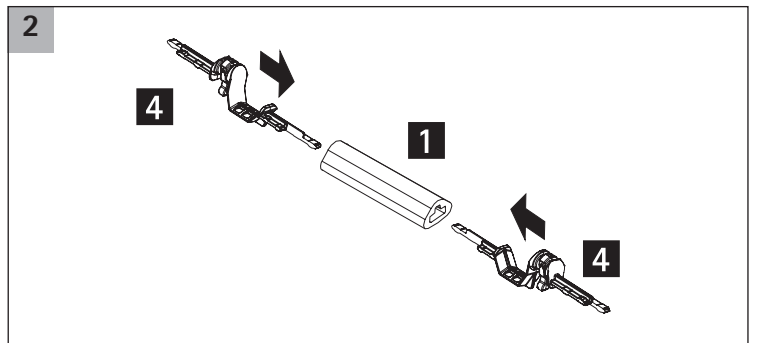
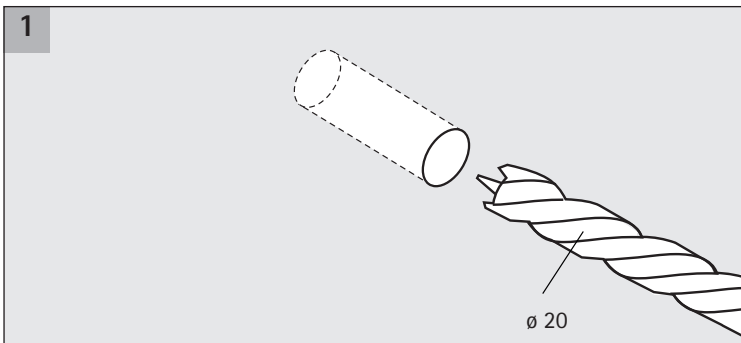
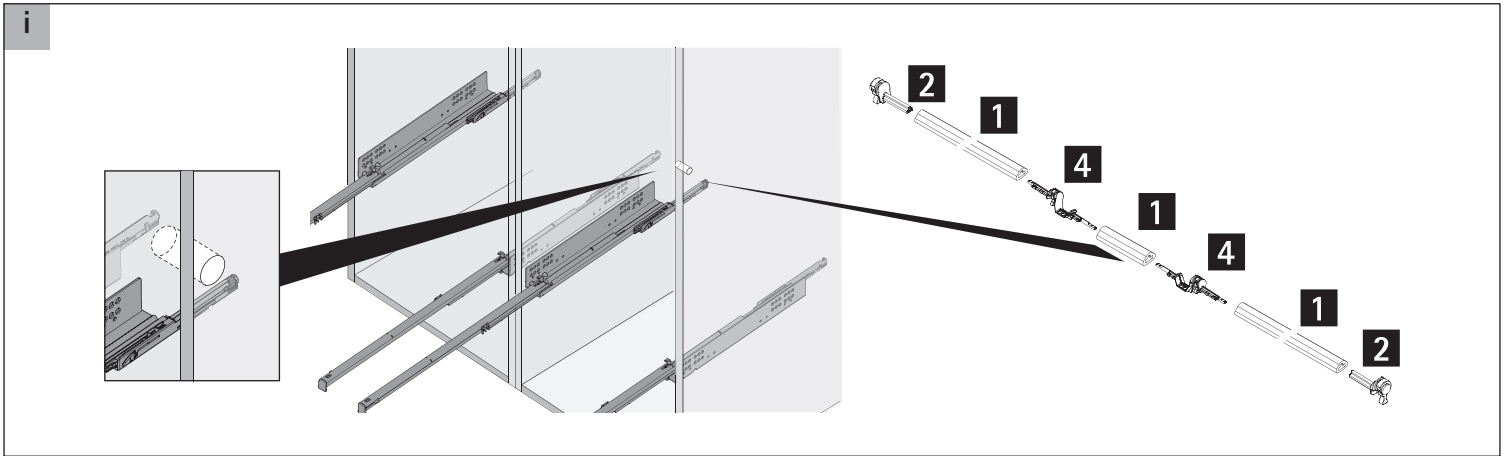
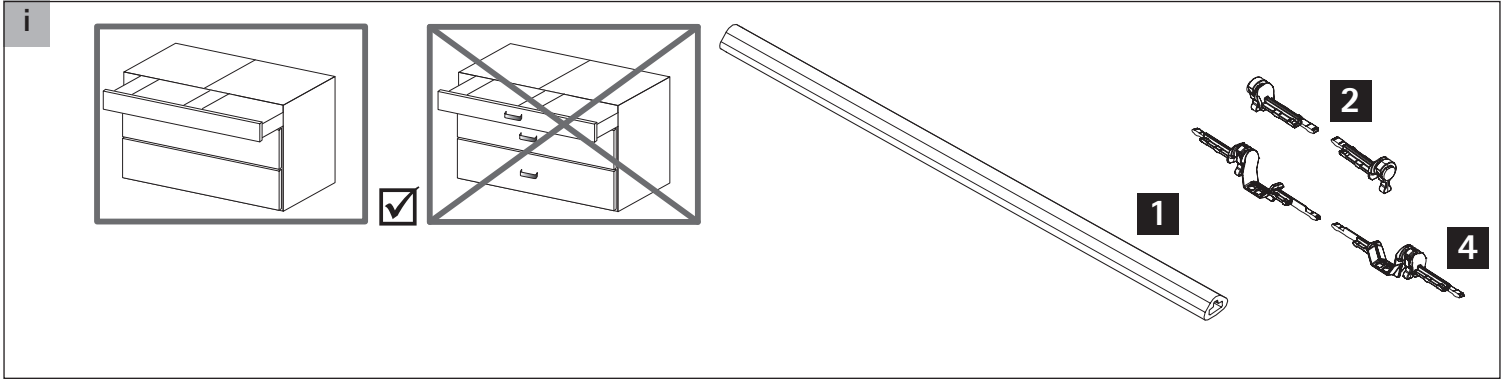
Push to open Synchro/Multisynchronisation



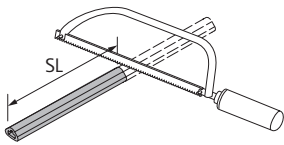
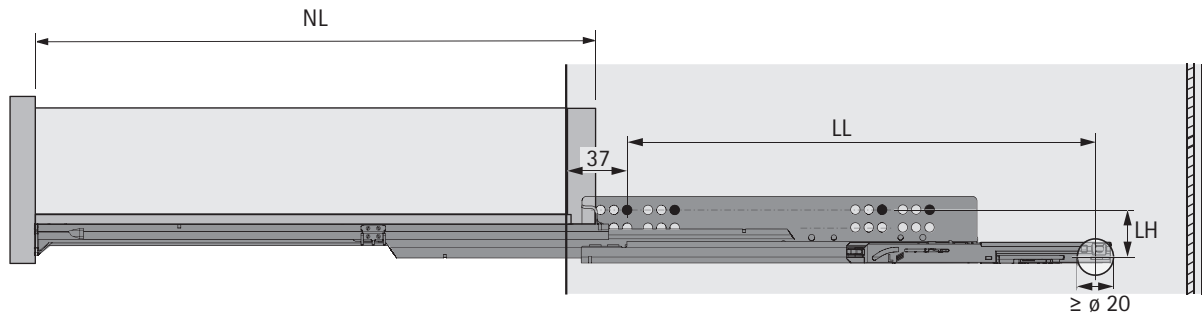
Technik für Möbel



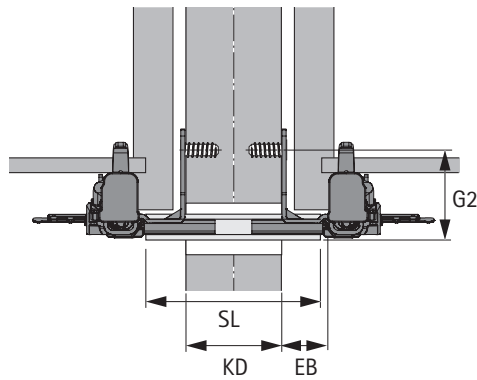
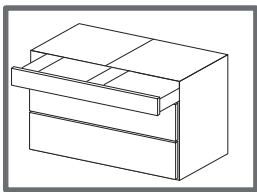
Push to open Multisynchronisation



i



$$SL = KD + 2 \times EB - 6$$



4

Quadro 4D V6

NL mm	250	300	320	350	380	400	420	450	480	500	520	550	580	600
LL mm	209	257	257	302	341	341	371	371	437	437	437	437	443	443

	LH mm		G2 mm
Quadro 4D V6	38	Quadro 4D V6	40