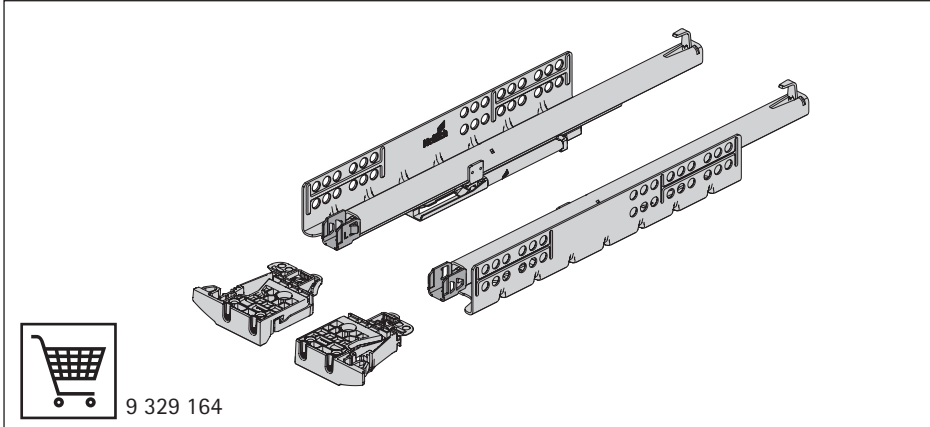


# Quadro 25 2D

## Silent System / Push to open

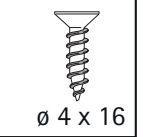
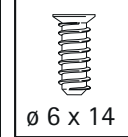
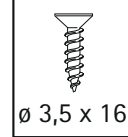
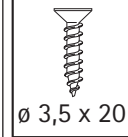
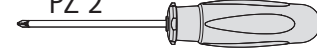


9 329 164

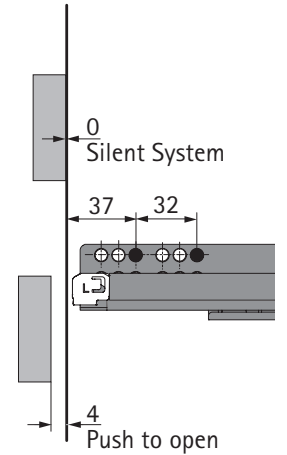
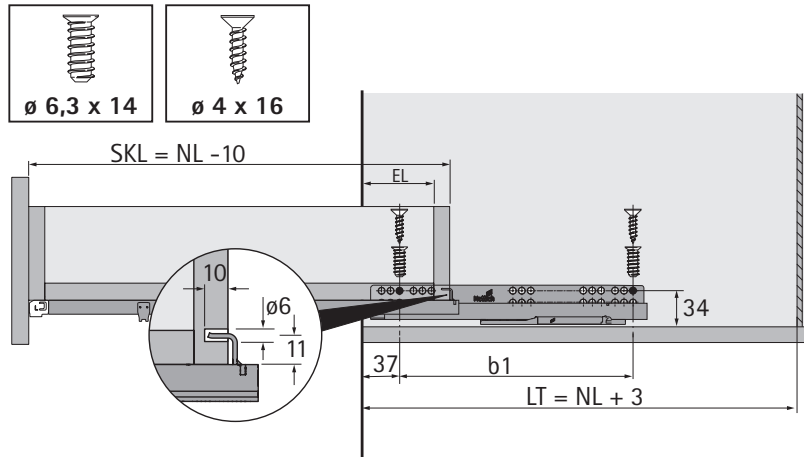


[www.hettich.com/short/sf4xcip](http://www.hettich.com/short/sf4xcip)

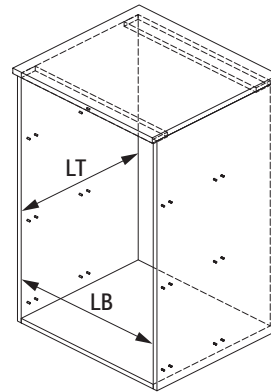
PZ 2



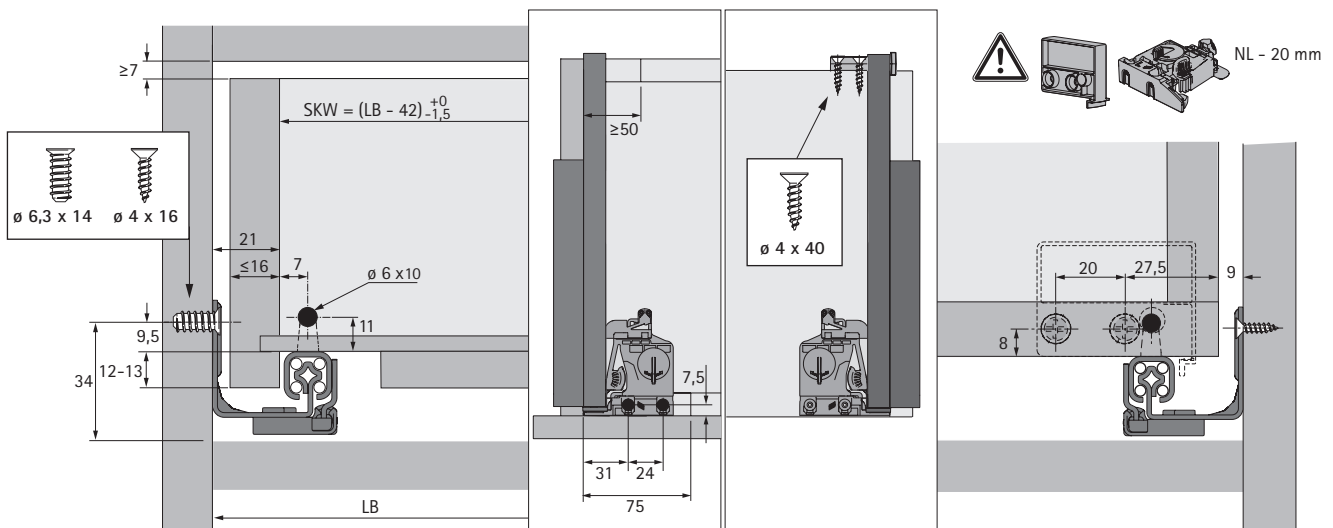
i

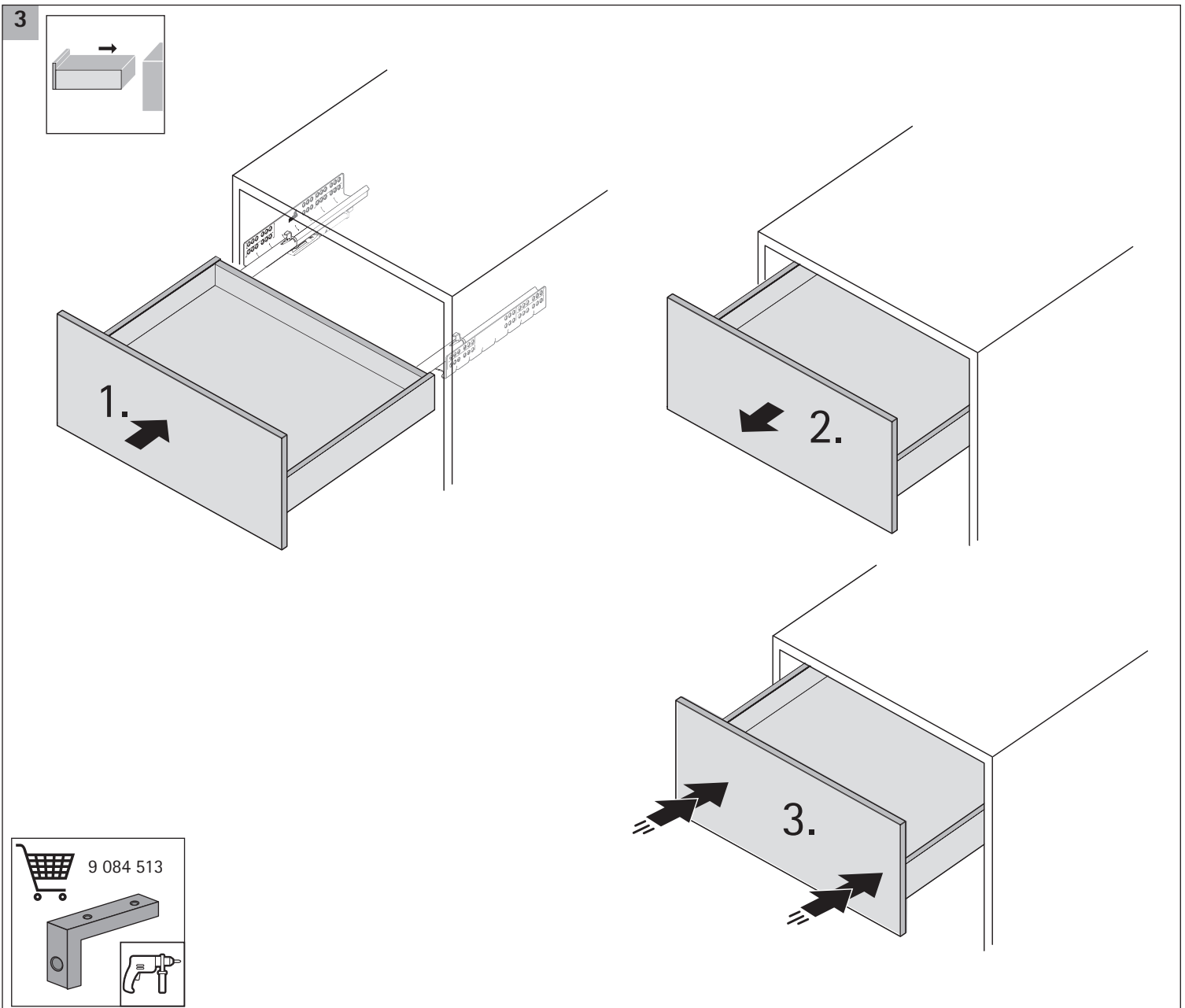
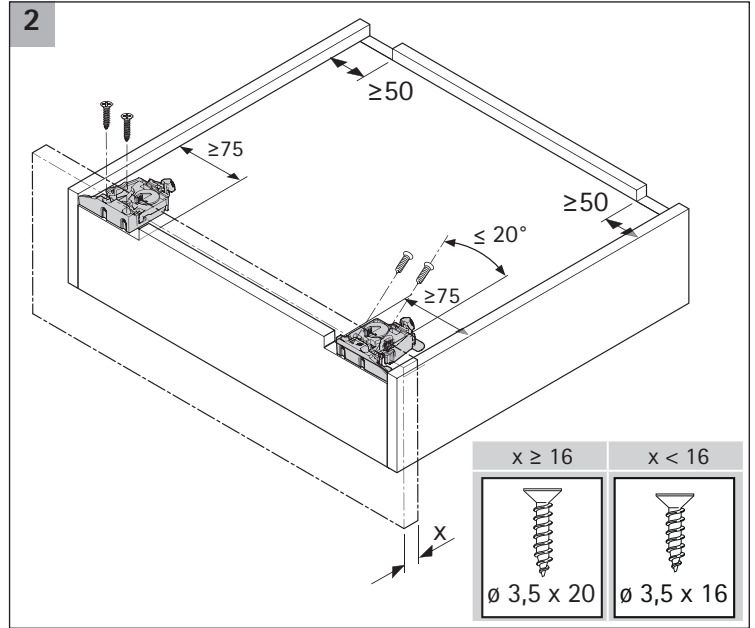
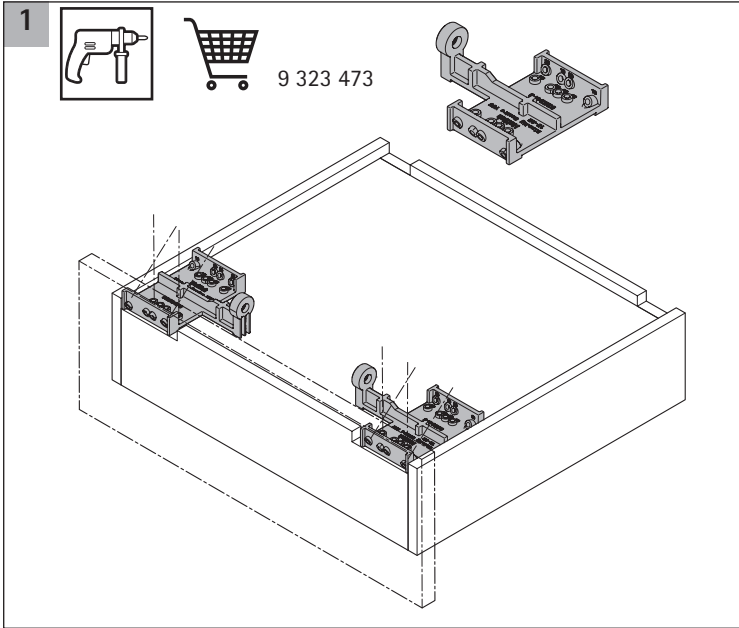


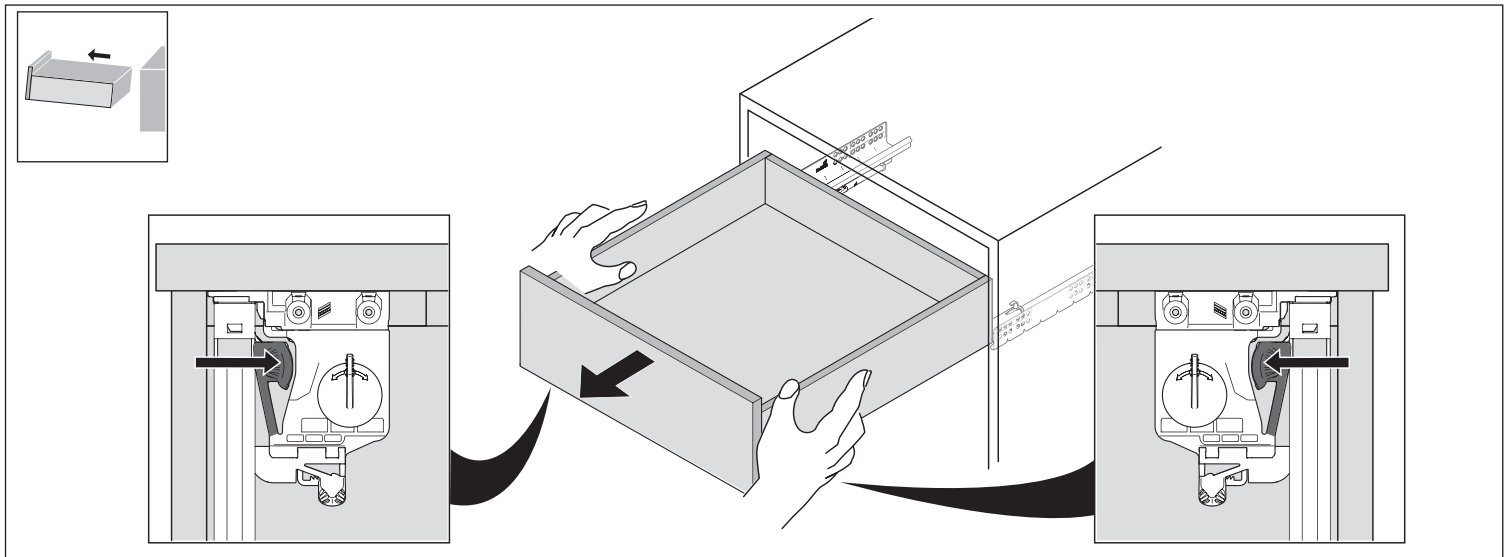
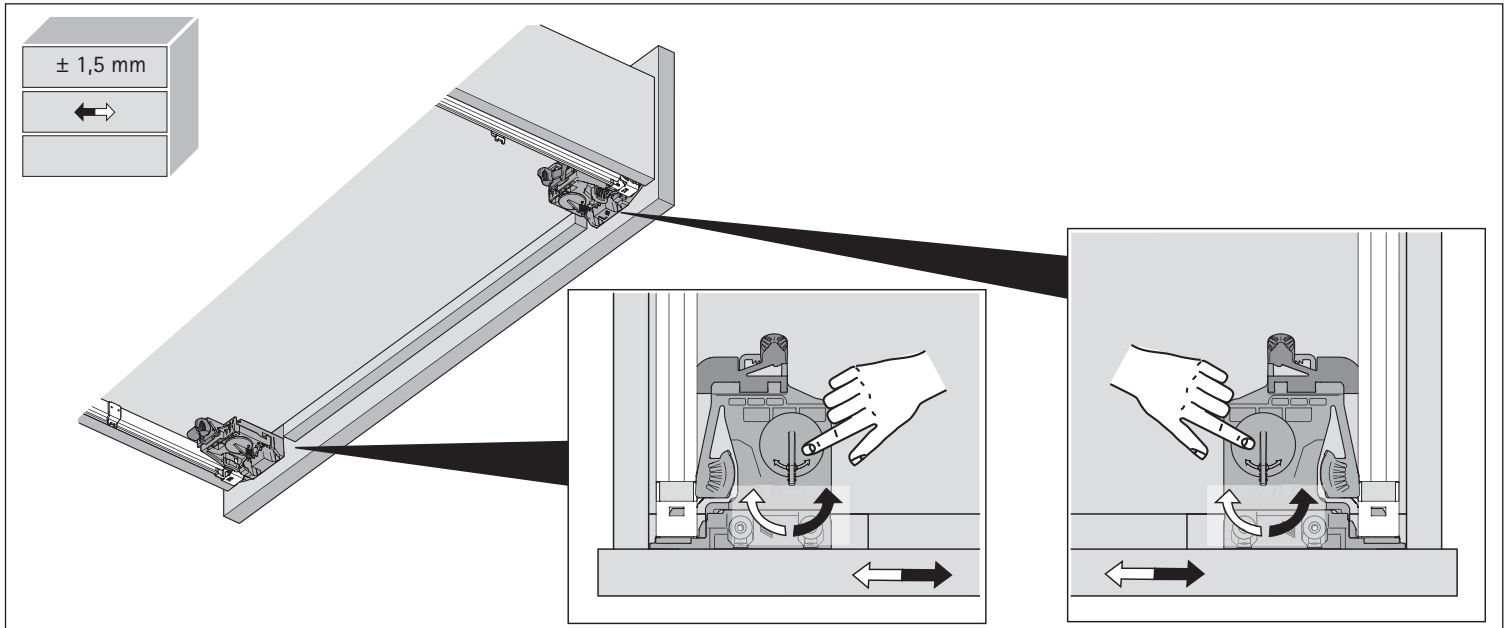
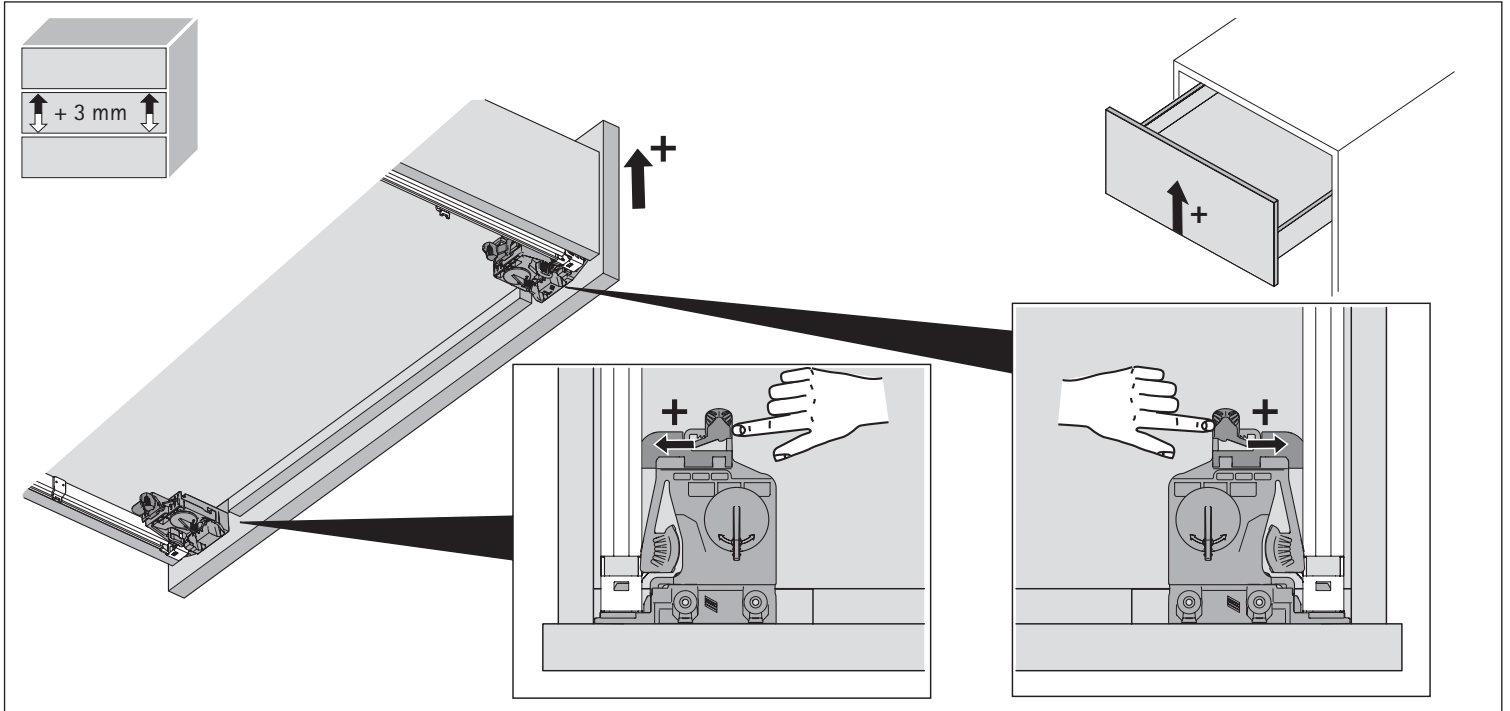
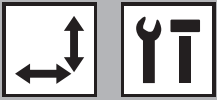
NL mm	b1 mm	EL mm
270	160	60
300	160	60
320	192	70
350	192	70
380	224	70
400	224	74
420	224	74
450	256	95
480	256	95
500	256	105
520	256	105
550	256	105



i

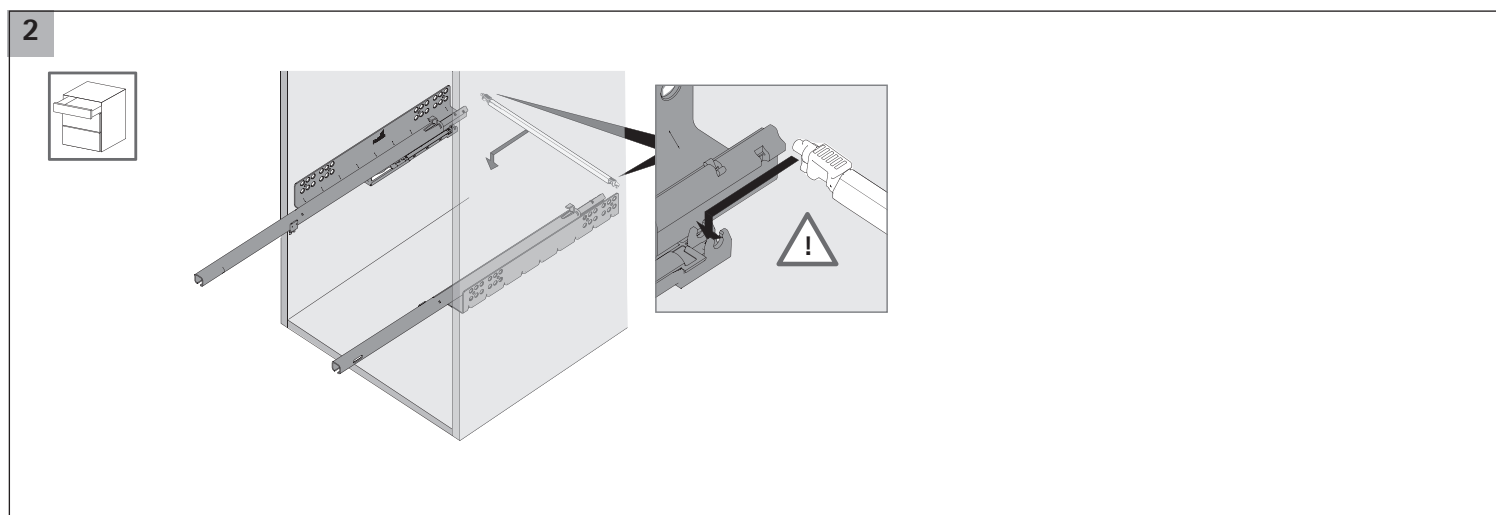
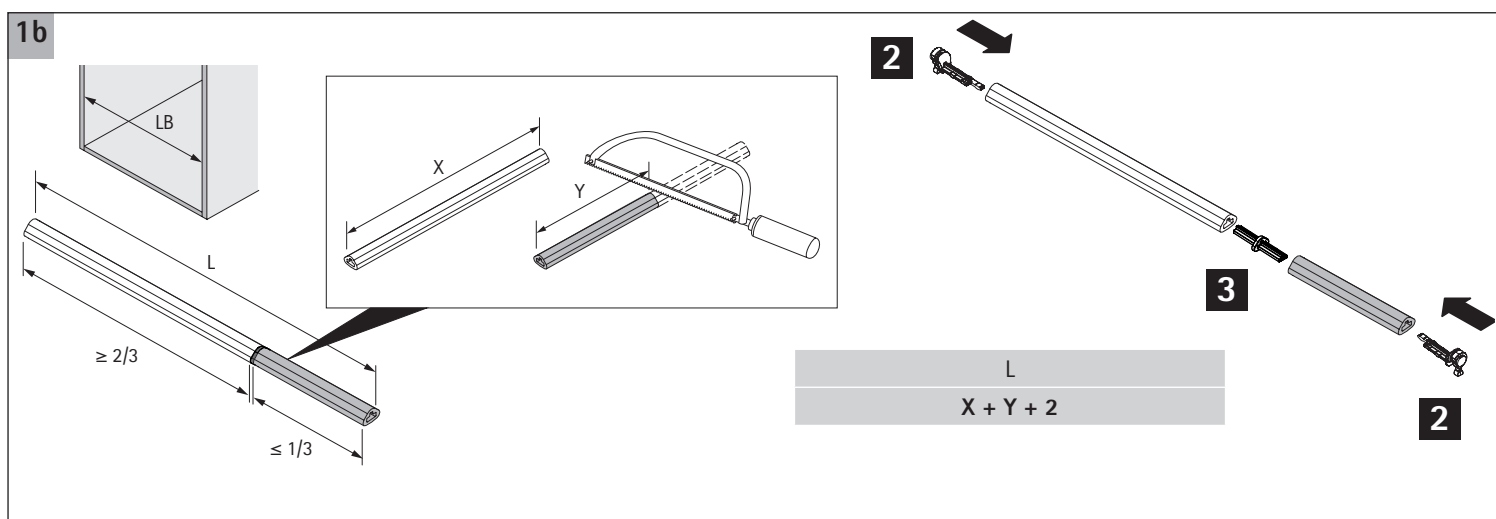
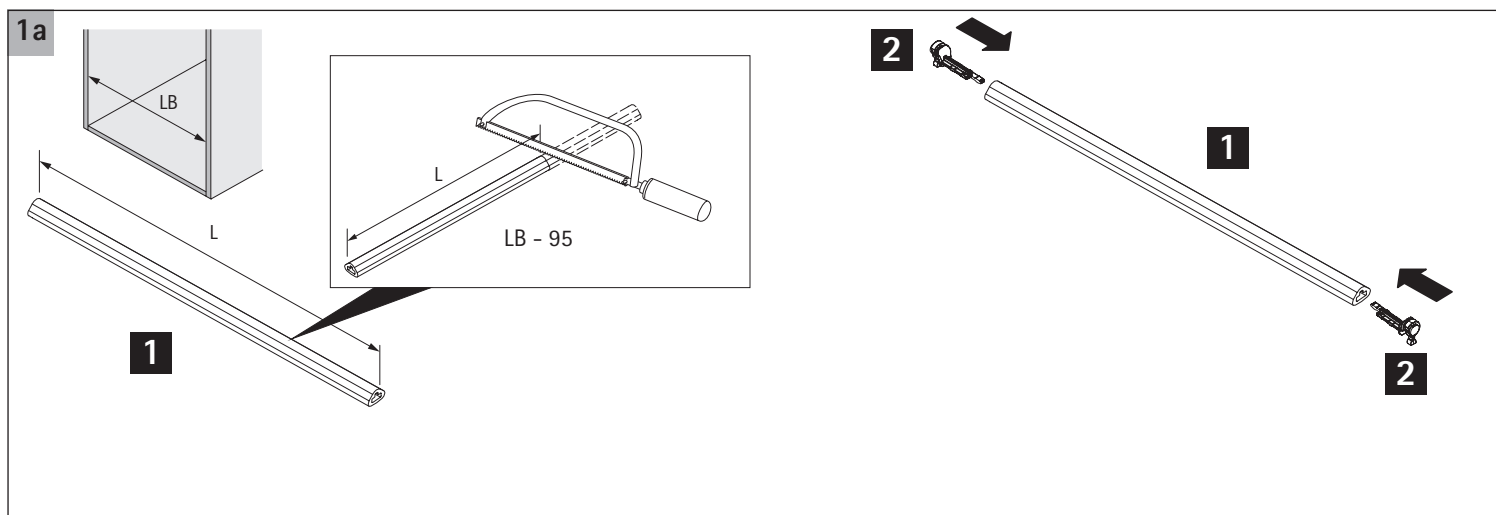
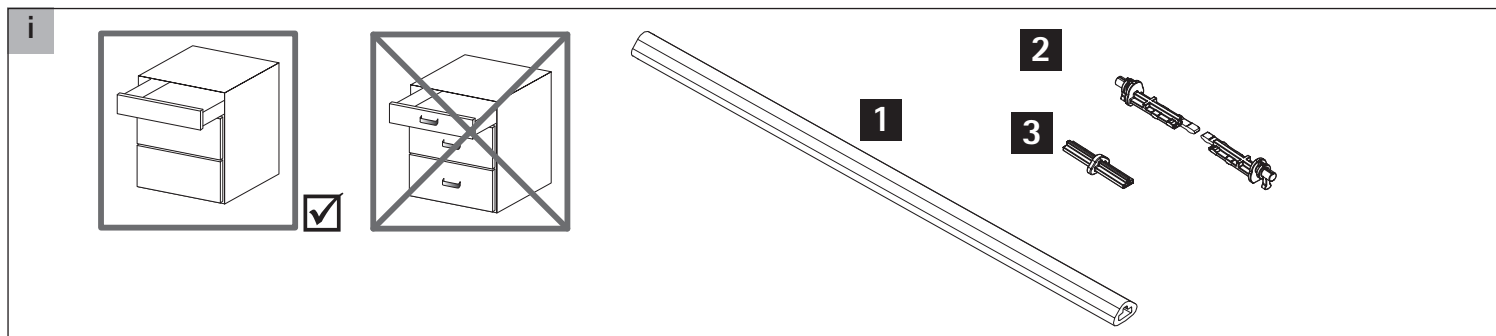
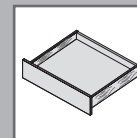




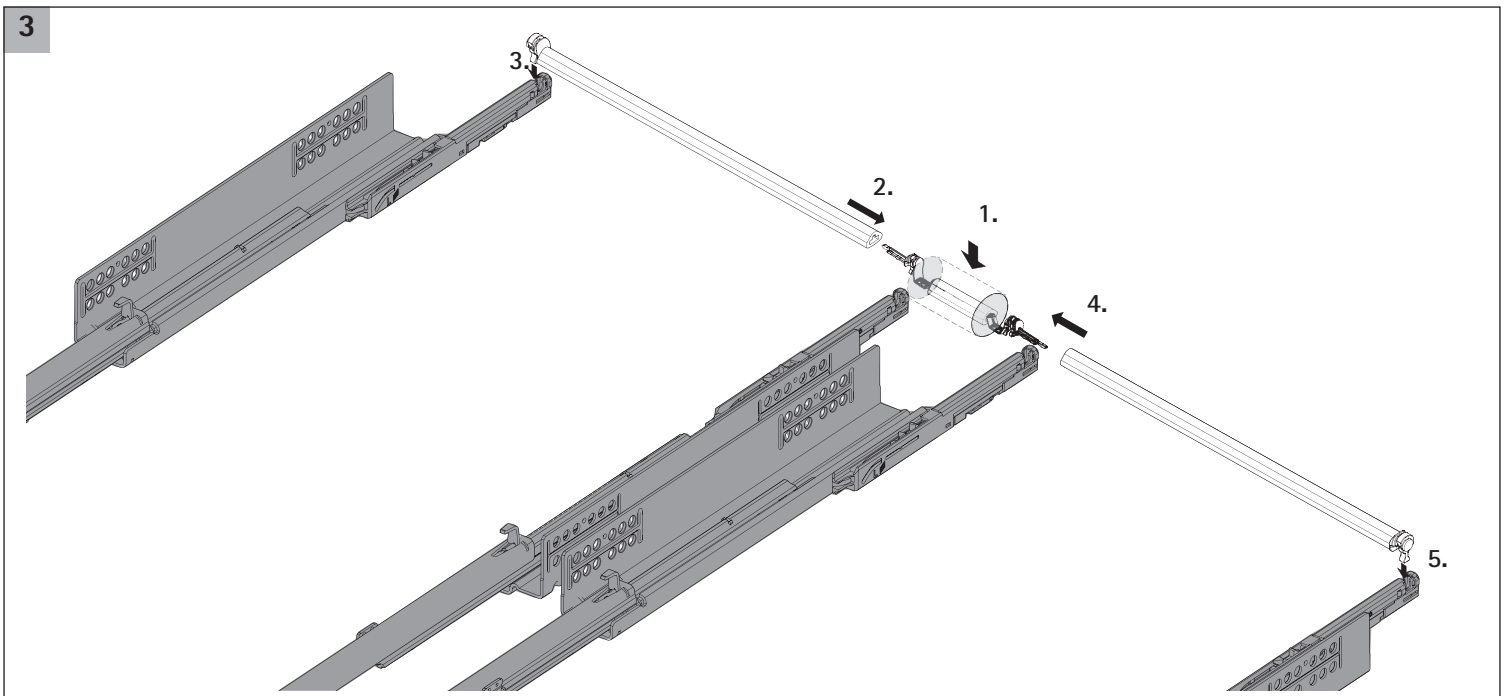
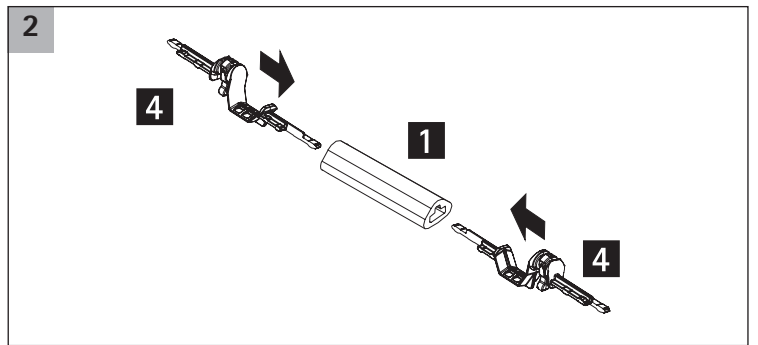
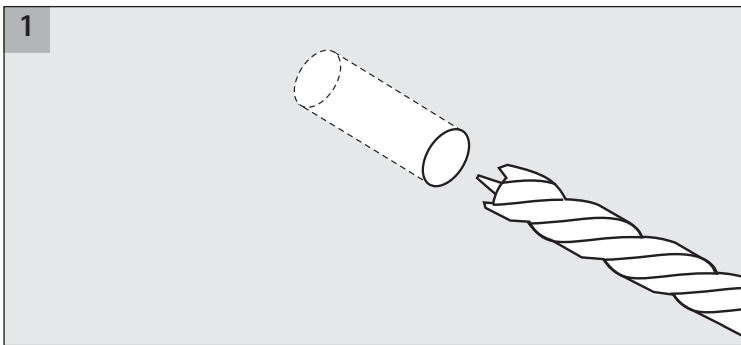
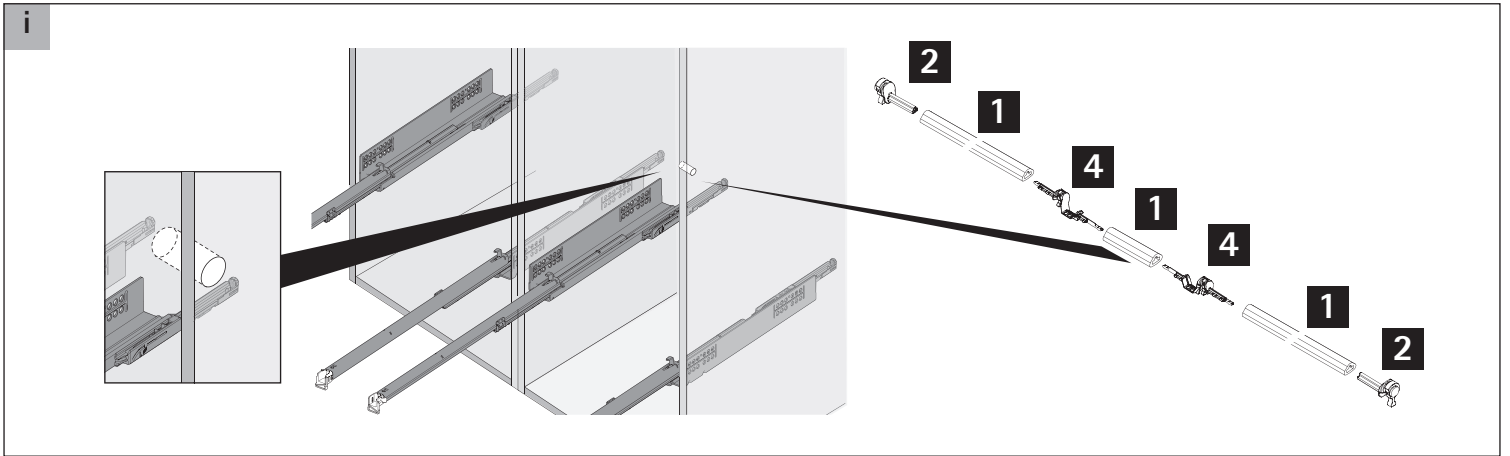
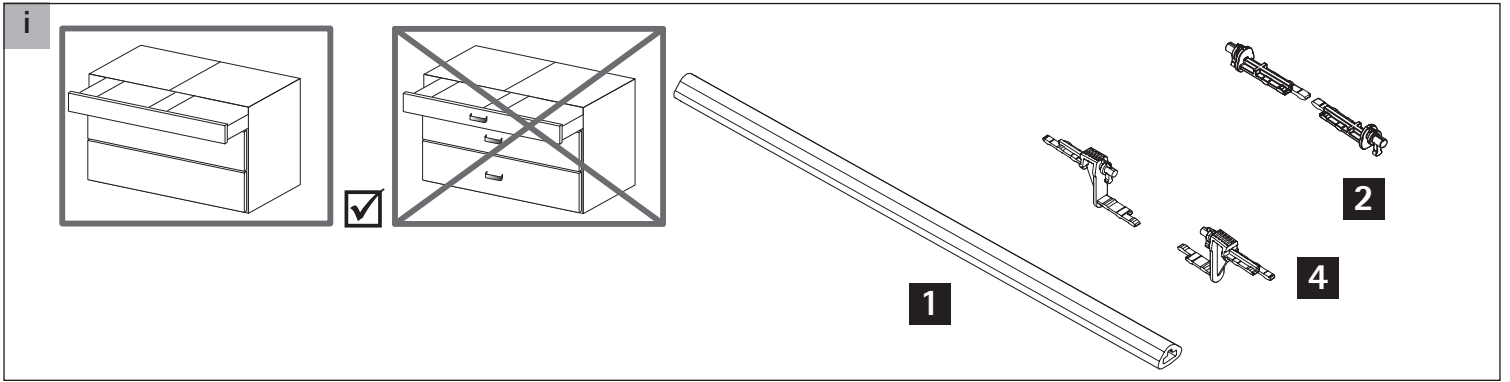


# Quadro 25 2D für Holzschubkästen / for wooden drawer

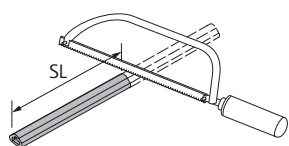
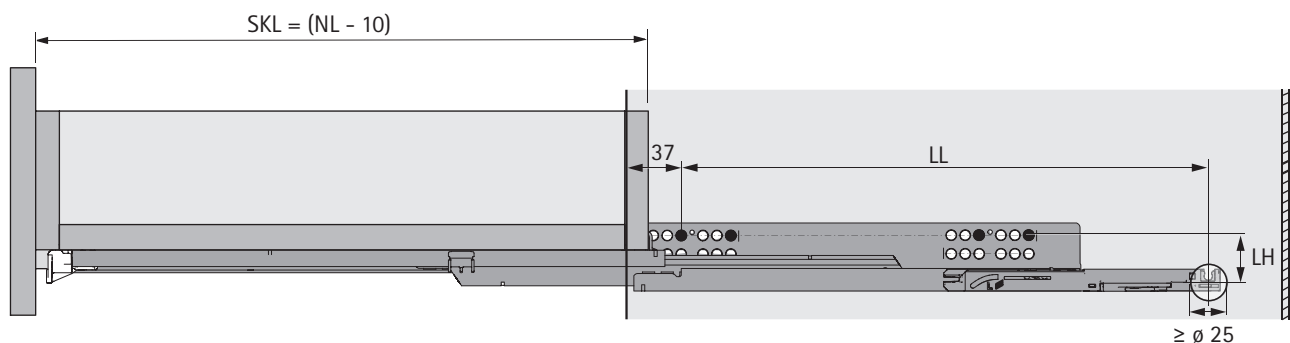
Push to open Synchro/Multisynchronisation



# Push to open Multisynchronisation

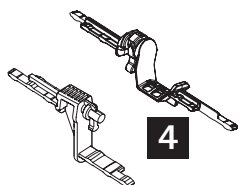
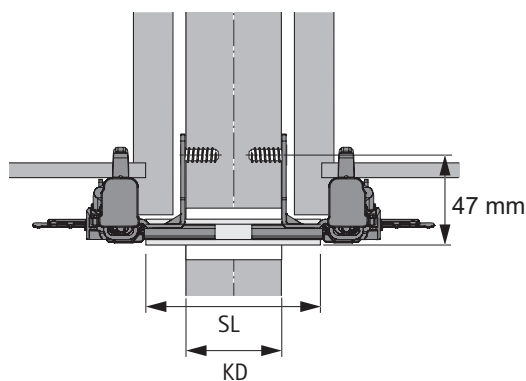
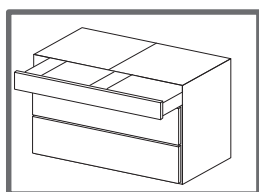


i



**Quadro 25 2D:**  
 $SL = KD + 77$

	LH mm
Quadro 25 2D	40



	Quadro 25 2D											
NL mm	270	300	320	350	380	400	420	450	480	500	520	550
LL mm	176	176	180	180	180	180	180	180	218	218	218	218