

magic
by HALEMEIER





Light worlds

Individual lighting solutions	4
Advantages of magic by Halemeier	8
Planning service	10
Product range overview	18



Linear luminaires

Linear luminaires	36
-------------------	----



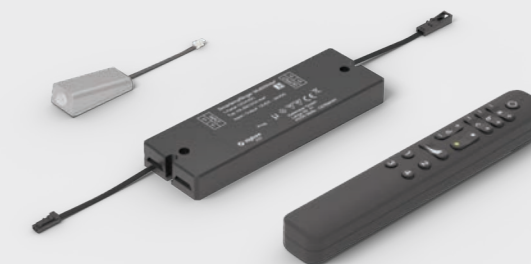
Special lights

Special lights	114
----------------	-----



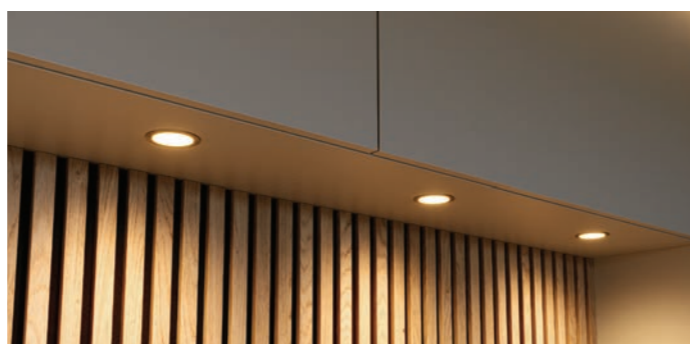
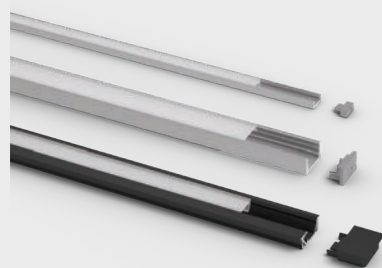
Switching systems

Switching systems	132
-------------------	-----



ChannelLine profiles

ChannelLine profiles	60
ChannelLine samples	207



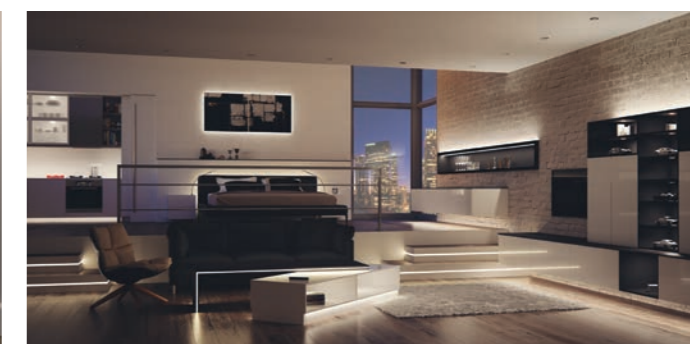
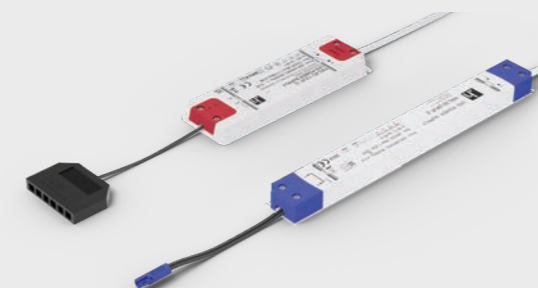
Spotlights

Spotlights	92
------------	----



Ballasts / leads

Ballasts / leads	180
------------------	-----



Glossary

Types of lighting	194
Lighting knowledge	196
Good to know	200
Order numbers	206
Index	208



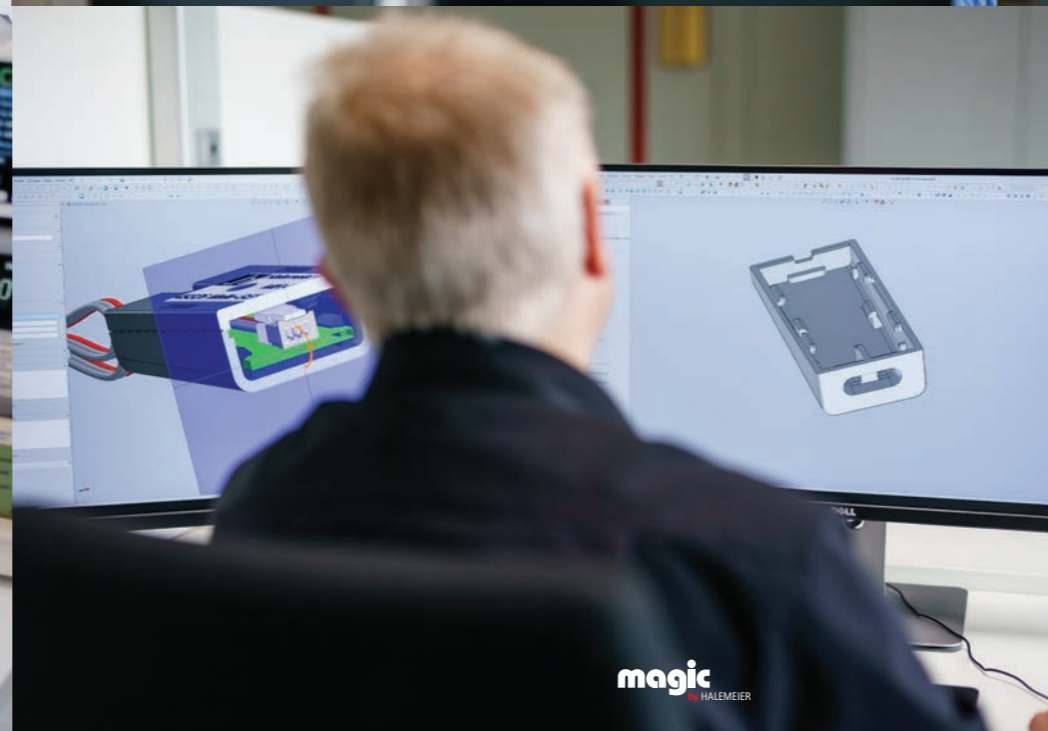
Simple. Perfect. Solutions.

The brand **magic** by HALEMEIER stands for lighting in professional furniture construction. For more than 25 years we have been setting standards in innovation, service and design. The requirements of our customers motivate us to exceed ourselves again and again. We develop individual solutions for your diverse requirements.

Our in-house laboratory guarantees all relevant certifications for your products. It goes without saying that our LED technology is state-of-the-art. Another decisive advantage is the complete compatibility of all components of our product range.

Fast and easy handling of the components allows you to fully concentrate on your core tasks: The development and design of new furniture.

Let us inspire you!
It's **magic**





Simply close to the customer

Craftsmanship is at the heart of our mission. We offer a range of products that are not only easy to handle but also meet all requirements for furniture lighting. As specialists in lighting technology for furniture, we draw on years of expertise developed by practitioners for practitioners.

That is why the **magic** range is valued by carpenters and buyers alike. You consciously choose a complete range that meets all your requirements from a single source. The trust that furniture builders place in us is based on our expertise, quality, and excellent value for money.

Our mission reflects our philosophy: We aim for a partnership with our customers based on mutual respect. Through comprehensive consultation and collaborative development, we always find the optimal solutions for every project. With the **magic** programme, partnership, loyalty and mutual trust are not empty words, but lived values.

Individual solutions Plug-and-play compatibility of all components. Unlimited combination possibilities. No electro-technical expertise required.

For self-assembly Meter and roll materials for self-assembly and custom combinations. Precisely cut to size. No loss of material.

In-house development Products are designed, developed and tested in-house. The result is the highest quality engineered in Germany.

Special solutions Halemeier as a development partner for serial products. Do you have ideas for new solutions? Let us build your lights according to your wishes.

Consulting Your customers have bigger plans for you. Involve us at an early stage to put your future projects on a technically sound foundation.

Quick service for the hardware trade For an additional charge, we offer shipping on the same day as your order, Monday - Thursday until 4 p.m., Friday until 12 p.m.

Sustainability Our products meet the European Union's strict Ecodesign Directive. The use of the latest generation of components guarantees you continuous improvements in efficiency.

5 years warranty We are absolutely sure of the quality of our products. Use our guarantee to pass on this confidence to your customers.

Own test laboratory Always on the safe side. Our in-house test laboratory guarantees all relevant certifications.

Trainings Simply perfectly prepared. We offer beginner and expert training, either at your company or at our premises.



Planning service for lighting projects

Simple and effective

For customers who are not yet familiar with the magic range or are unsure if all components for their complex project are correctly chosen, we offer a planning service.

You provide us with details such as a sketch, the intended use, and desired light colour. We then select the ideal products based on your project's specifications. You will receive a lighting design that includes a list of items as well as the connection plan and is customised for you by trained carpenters and joiners.

With these documents, installing the lighting into your project is straightforward. The plug-and-play components require no additional electrical expertise.

The planning is perfectly tailored to your project with:

- ▶ Complete product list, from electronic ballast to luminaire
- ▶ Plug-in connection plan
- ▶ Calculated values
- ▶ Ideal product combination

Our team will be happy to assist you!

Write to us at planungsservice@halemeier.de.









Versa Linear 600
Page 36

12V



Versa Linear 1200
Page 38

12V



Versa Inside 600
Page 40

12V



Versa Inside 1200
Page 42

12V



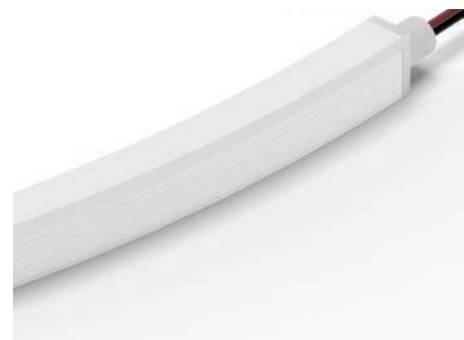
Versa Linear mini
Page 46

12V



Versa Fix 4x6
Page 48

12V



Versa Fix 8x12
Page 50

12V



Versa Inside 1200 24VDC
Page 52

24V
MP



Versa Inside 2100 24VDC
Page 54

24V
MP



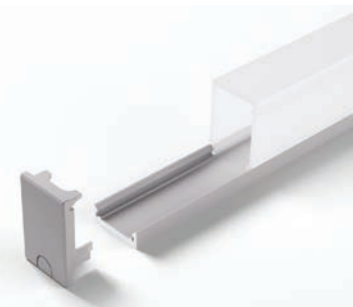
Versa Inside MaxiColor PnP
Page 56

24V
MP



Versa Linear MaxiColor
Page 58

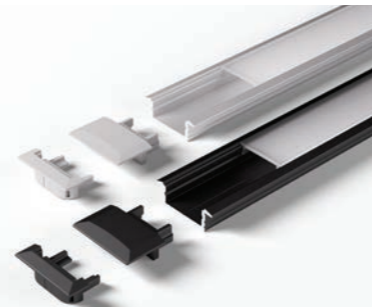
24V
MP



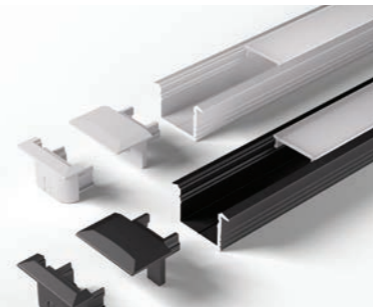
ChannelLine A
Page 66



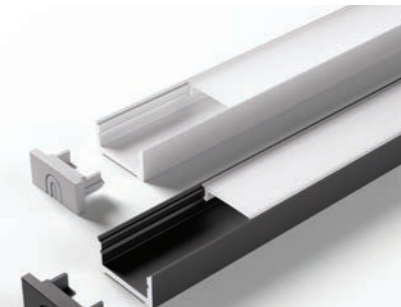
ChannelLine J
Page 67



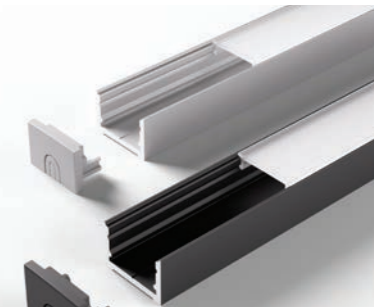
ChannelLine C
Page 68



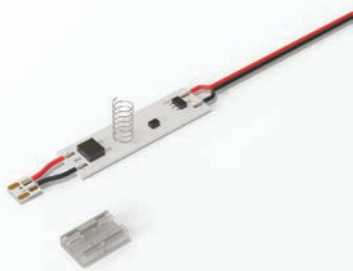
ChannelLine C2
Page 69



ChannelLine D
Page 70



ChannelLine D2
Page 71



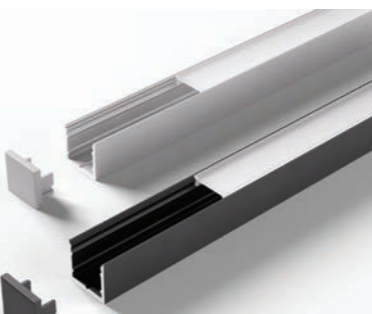
ChannelLine sensor switch
Page 72

12V

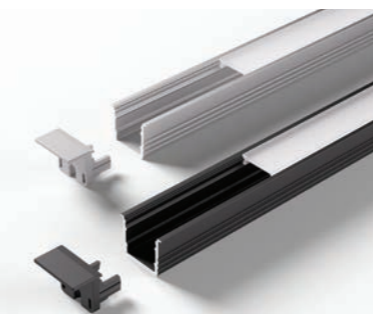


ChannelLine motion detector
Page 73

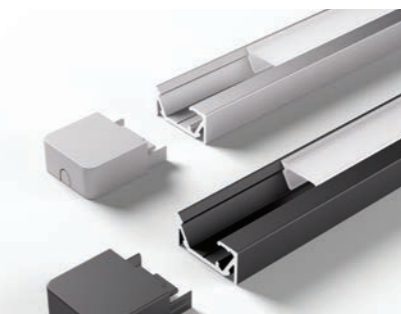
12V



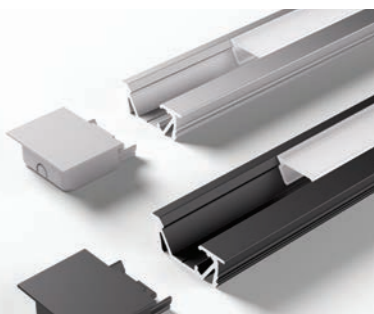
ChannelLine U
Page 74



ChannelLine U2
Page 75



ChannelLine G
Page 76



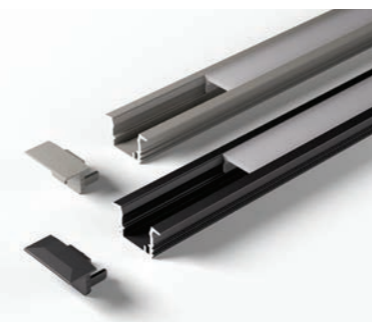
ChannelLine G2
Page 77



HandleLine Profile
Page 78



ChannelLine H
Page 80



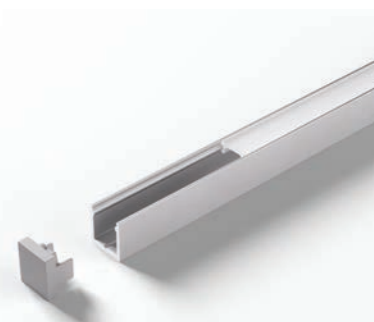
ChannelLine K2
Page 81



ChannelLine i
Page 82



ChannelLine i2
Page 83



ChannelLine i3
Page 84



ChannelLine F
Page 85



ChannelLine S
Page 86



ChannelLine S2
Page 87



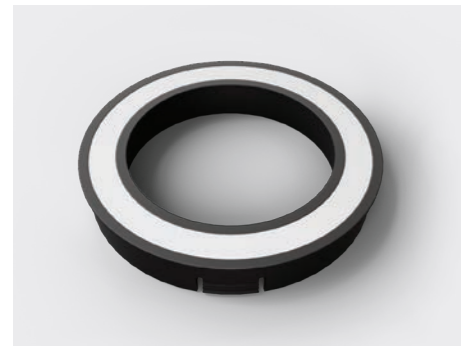
ChannelLine T1
Page 88



ChannelLine T2
Page 89



Retaining profile Versa
Page 90



CircleLite 78
Page 94

12V



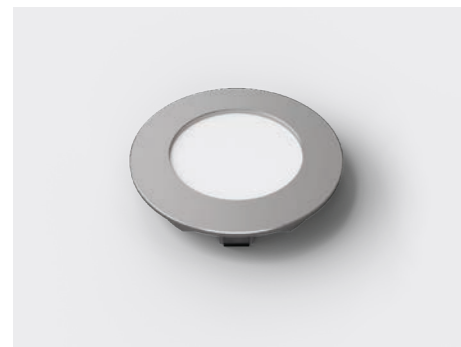
IrisLite 68
Page 96

12V



AddLite
Page 98

12V



EcoSpot 58
Page 106

12V



MoveSpot 40
Page 108

12V



MiniSpot 15
Page 110

12V



LitePanel 68
Page 100

12V



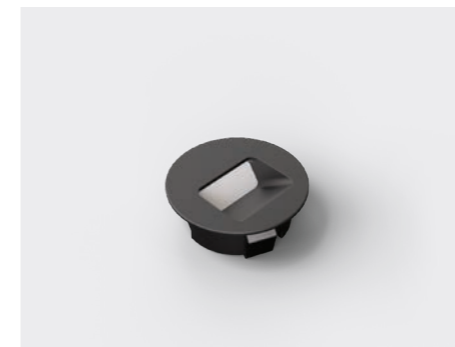
LitePanel 58
Page 102

12V



ConeLite 58
Page 104

12V



SideSpot 35
Page 112

12V



LitePipe slim
Page 116

12V



Boom ChannelLine
Page 118



InnoLine
Page 120

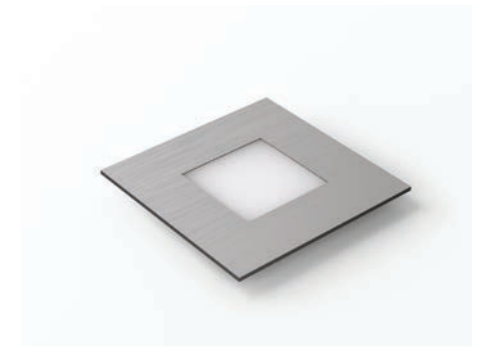
12V



GlasLine Up&Down
Page 122



GlasLine
Page 124



QuadroPoint
Page 126

12V



LuckyLine
Page 128

12V



Miles
Page 130

12V



X-Mitter
Page 138

12 V 24 V MP 230 V



S-Mitter
Page 140

12 V 24 V MP 230 V



4-Mitter
Page 142

12 V 24 V MP 230 V



S-Mitter MultiW.
Page 146

12 V 24 V MP 230 V



S-Mitter Basic MultiW.
Page 148

12 V 24 V MP 230 V



Smart wall transmitter
Page 150

12 V



Microwave motion detector
Page 152

12 V



Basic Control MultiWhite
Page 154

12 V



Basic Touch Control MultiWhite
Page 156

12 V



MultiSwitch Master
Page 160

12 V 24 V MP 230 V



MultiSwitch MagicSwitch
Page 162

12 V 24 V MP 230 V



MultiSwitch Contact
Page 164

12 V 24 V MP 230 V



MultiSwitch Magnet
Page 166

12 V 24 V MP 230 V



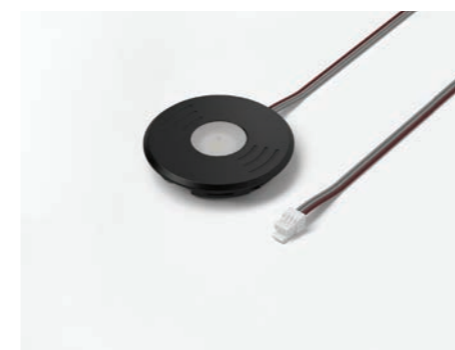
MultiSwitch PIR
Page 168

12 V 24 V MP 230 V



MultiSwitch push button
Page 170

12 V 24 V MP 230 V



MultiSwitch Touch
Page 172

12 V 24 V MP 230 V



Repeaters
Page 174

12 V



Dimming module Dali
Page 176

12 V 24 V MP



Single Switch - various switches
Page 178

12 V



Ballast 12 Volt DC
Page 182

12V



Ballast 12 volt DC - 230 volt dimmable
Page 184

12V



Leads 12 Volt DC
Page 186

12V

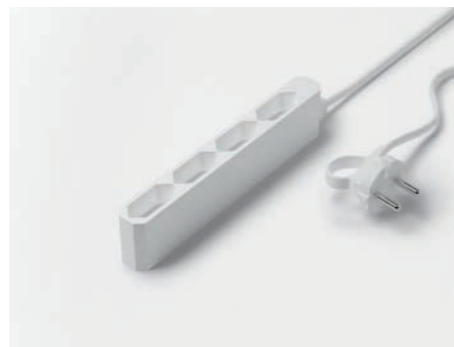


USB-C double socket
Page 191

12V



Cable duct
Page 192



HV adapter / distributor
Page 193

230V



LitePac
Page 187

12V



Ballasts & leads 24 Volt DC
Page 188

24V
MP



USB socket
Page 190

12V




Linear lights

Versa strips for versatile lighting needs.

Our LED strips are known as "Versa" due to their versatility. They can be adapted to a wide range of requirements. With the ability to be cut to size and provide adjustable light colours, these LED strips open up a world of possibilities for custom lighting designs in furniture construction.

The integration of Versa LED strips is optimised through the use of ChannelLine profiles*, which ensure ideal processing.

 The "Saw" icon identifies products that can be shortened

* See chapter ChannelLine



12 Volt DC



24 Volt DC

Lighting in furniture and spaces

The right operating voltage for every application

Lighting plays a crucial role in design and can significantly influence the appearance of furniture and spaces. When choosing the right lighting for your furniture, it's important to consider the appropriate voltage.

Our **magic** range utilises 12-volt lighting for furniture applications. This lower voltage allows for smaller light segments that can be elegantly concealed within furniture or profiles and create less shadow compared to 24 volts. With 12-volt lighting, you can effectively highlight cabinets, shelves, and display cases without worrying about the size of the transformers and cable management.

The lighting offers identical brightness, lifespan and quality whether at 12 volts or 24 volts.

When it comes to illuminating a space effectively, 24-volt lighting is an excellent choice. It provides even illumination when used with light strips in suspended ceilings or large counters, creating a pleasant atmosphere. These light strips can be installed in longer lengths, allowing them to optimally light up larger areas.

Explore our wide range of lighting options and get inspired on how to showcase your furniture pieces perfectly with the right lighting.

Detailed information about light from page 194.

Overview of Versa strips					
Model	Versa Linear 600	Versa Linear 1200	Versa Inside 600	Versa Inside 1200	Versa Inside 1200
Page	Page 36	Page 38	Page 40	Page 42	Page 52
Luminous flux per m	600 - 660 lm/m	1200 - 1320 lm/m	600 - 700 lm/m	1200 - 1400 lm/m	1200 - 1400 lm/m
Light source efficiency (max.)	110 lm/W	110 lm/W	175 lm/W	175 lm/W	175 lm/W
Output per m (max.)	6 W/m	12 W/m	4 W/m	8 W/m	8 W/m
Voltage	12V	12V	12V	12V	24V MP
Light colour**	XW WW NW MW	XW WW NW MW	XW WW NW MW	XW WW NW MW	XW WW NW MW
Colour rendering/CRI	RA > 90	RA > 90	RA > 90	RA > 90	RA > 90
Strip length	1200 mm, 3000 mm, 5000 mm, 10000 mm	1200 mm, 3000 mm, 10000 mm	1200 mm, 3000 mm, 5000 mm, 10000 mm, 50000 mm	1200 mm, 3000 mm, 5000 mm, 10000 mm, 50000 mm	5000 mm, 10000 mm, 50000 mm
Max. length at a stretch	6000 mm	3000 mm	9000 mm	4500 mm	9000 mm
Can be cut every	14 mm 21 mm (mw)	14 mm 21 mm (mw)	33 mm	33 mm	50 mm 62.5 mm (mw)
Direct connector			✓*		
Flexible connector 50 mm			✓*		
Flexible connector 150 mm			✓*		
Feeder for sections			✓*		
Soldering lead for sections			✓*		
Width / Height	7.5 mm / 3 mm	7.5 mm / 3 mm	7.5 mm / 1.5 mm	7.5 mm / 1.5 mm	7.5 mm / 1.5 mm
IP rating	IP 20	IP 20	IP 20	IP 20	IP 20

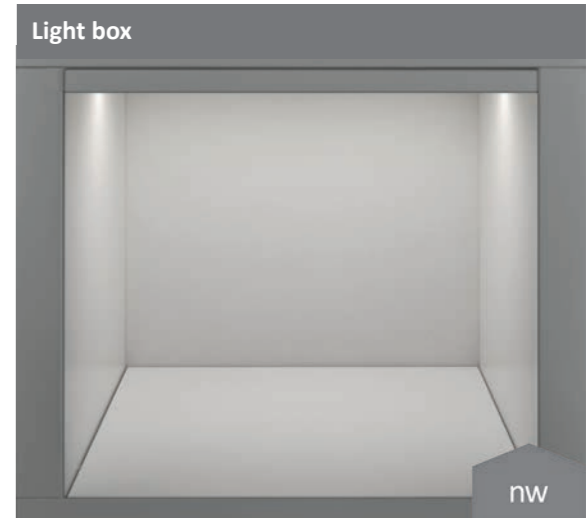
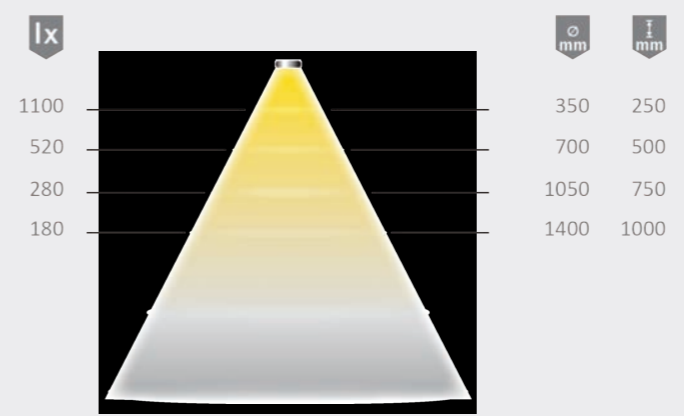
* Details see product page
 **XW = 2700K, WW = 3000K, NW = 4000K, CW = 6500K, MW = 2700-6000K

Overview of Versa strips					
Versa Inside 2100	Versa Linear mini	Versa Fix 4x6	Versa Fix 8x12	Versa Inside MaxiColor	Versa Linear MaxiColor
Page 54	Page 46	Page 48	Page 50	Page 56	Page 58
2100 - 2300 lm/m	570 - 630 lm/m	400 - 450 lm/m	380 - 420 lm/m	-	-
165 lm/W	105 lm/W	75 lm/W	56 lm/W	-	-
14 W/m	6 W/m	6 W/m	7.5 W/m	19.2 W/m	15 W/m
24V MP	12V	12V	12V	24V MP	24V MP
XW WW NW	XW WW NW MW	XW WW NW MW	WW NW	WW	WW
RA > 90	RA > 90	RA > 80	RA > 80	-	-
5000 mm, 10000 mm, 50000 mm	3000 mm	1200 mm, 3000 mm, 5000 mm	2500 mm, 5000 mm	3000 mm, 5000 mm	3000 mm, 5000 mm
5000 mm	3000 mm	5000 mm	5000 mm	5000 mm	5000 mm
50 mm	21 mm	20 mm	33 mm	100 mm	62.5 mm
✓*					
✓*					
✓*					
✓*					
✓*	✓*				
7.5 mm / 1.5 mm	4.5 mm / 3 mm	4 mm / 6 mm	8 mm / 12 mm	10 mm / 1.5 mm	12 mm / 2 mm
IP 20	IP 20	IP 65	IP 65	IP 20	IP 20

no connectors permitted



Light distribution diagram 70° - measured in black room



Versa Linear 600

- Product advantages**
- ▶ Perfect results even in flat profiles
 - ▶ Especially suitable for accent lighting
 - ▶ Extremely uniform, homogeneous luminous surface

- Application**
- ▶ Suitable for applications where the light source is visible
 - ▶ Ideal over reflective surfaces
 - ▶ Especially for flat ChannelLine profiles

- Features**
- ▶ Colour uniformity (colour location) as good as Versa Inside
 - ▶ No light spots visible in the profile due to white coating
 - ▶ Double-side supply lead (one cut, two lights), see drawing

- Order information**
- ▶ For the 10 m roll, feeders or soldering leads are required
 - ▶ MultiWhite accessories are required for MultiWhite light colour

Technical details



Versa Linear 600	MultiWhite	XtraWarm	WarmWhite	NeutralWhite
1200 mm (max. 7.2 W)	56 038 32	56 038 42	56 038 12	56 038 02
3000 mm (max. 18 W)	56 038 33	56 038 43	56 038 13	56 038 03
5000 mm (max. 30 W)	56 038 34	56 038 44	56 038 14	56 038 04
10000 mm (max. 6 W/m)	56 038 31	56 038 41	56 038 11	56 038 01

Accessories	1 piece	10 piece
Feeder 130 mm for sections	36 373 42	
Feeder 1800 mm for sections	36 373 41	
Soldering lead 130 mm for sections	39 297 38	
Soldering lead 1800 mm for sections	36 248 01	
Direct connector	36 373 11	36 373 12
Corner connectors	36 373 01	36 373 02
Flexible connector 150 mm	36 373 31	36 373 32
Flexible connector 50 mm	36 373 21	36 373 22
Ballast 30 W with Euro flat plug (1-way + 6-way distributor)	31 002 07	
M1 extension lead 1800 mm	36 768 01	
MultiWhite colour change adapter XW/CW	39 304 40	

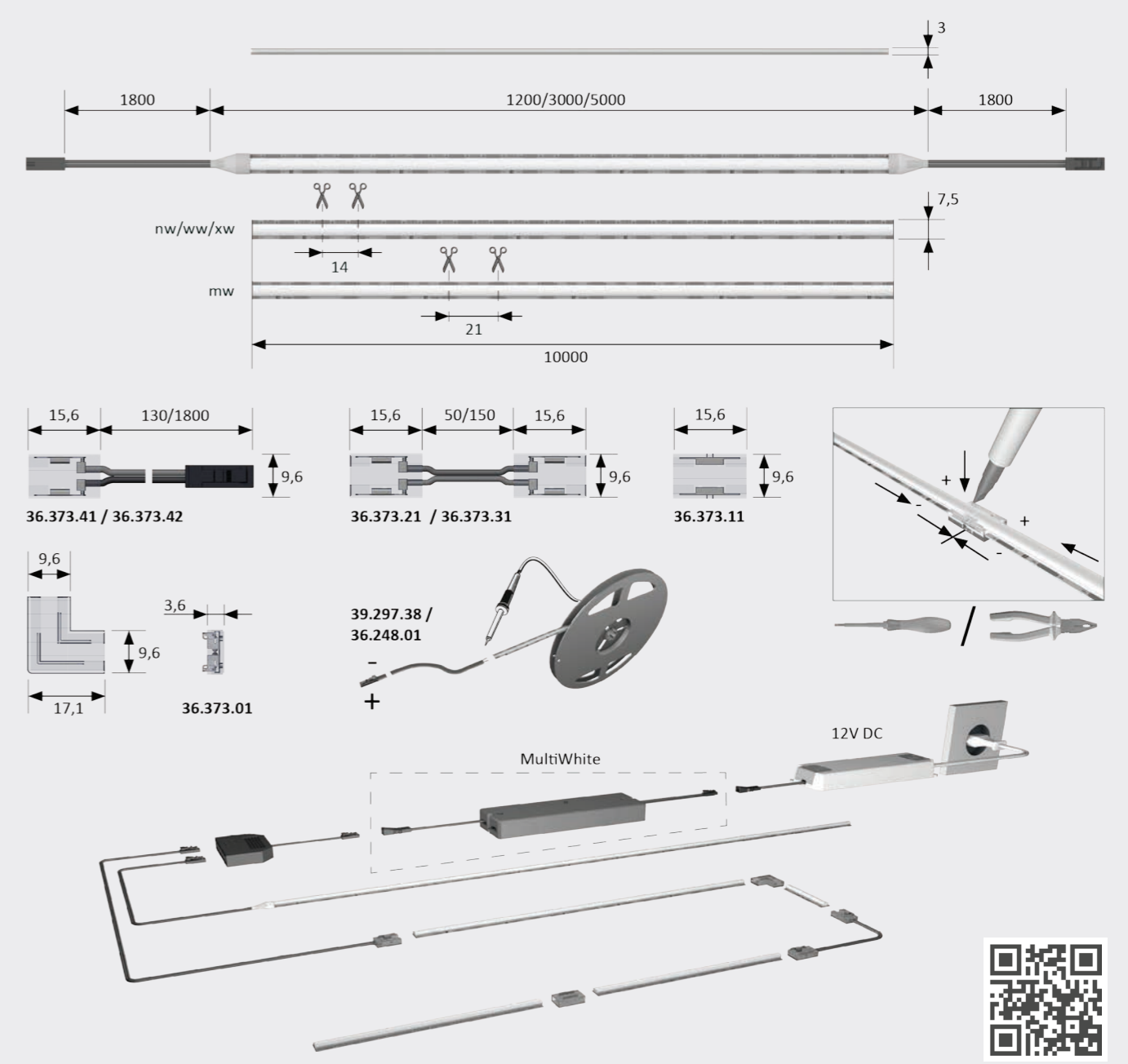
Luminaire type: Surface mounted light
 Type of lighting: Accent lighting
 Surface finish: White
 Operating voltage: 12 Volt DC
 Light colour: NeutralWhite / WarmWhite / MultiWhite / XtraWarm

Luminous flux: 600 - 660 lm/m
 Light source efficiency: max. 110 lm/W
 Colour rendering: > 90 Ra
 Life span: 60,000 h (L80/B10)
 Power consumption: max. 6 W/m

Max. length at a stretch: 6 m
 Dimmable: PWM
 Beam angle: 120°
 Half value angle: 70°

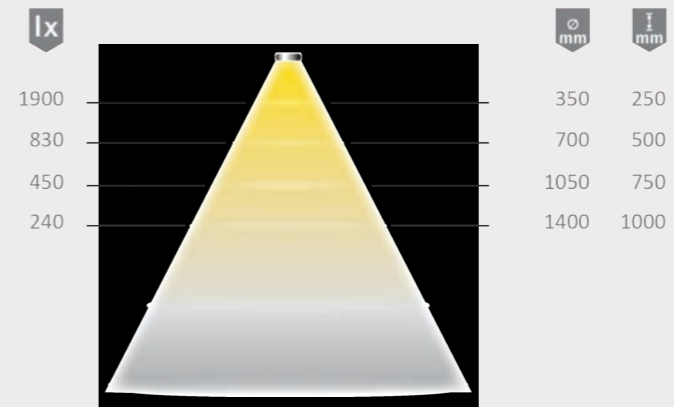
Test marks and symbols: CE
 Protection rating: IP 20
 Supply lead: 1800 mm
 Plug connector: Mini connector M1

Assembly drawing Can be shortened individually





Light distribution diagram 70° - measured in black room



Light box



Versa Linear 1200

Product advantages

- ▶ Perfect results even in flat profiles
- ▶ Especially suitable for functional lighting
- ▶ Extremely uniform, homogeneous luminous surface

Features

- ▶ Colour uniformity as good as Versa Inside
- ▶ No light spots visible in the profile due to white coating
- ▶ Double-side supply lead (one cut, two lights), see drawing

Application

- ▶ Suitable for applications where the light source is visible
- ▶ Especially for flat ChannelLine profiles

Order information

- ▶ For the 10 m roll, feeders or soldering leads are required
- ▶ MultiWhite accessories are required for MultiWhite light colour

Versa Linear 1200

	MultiWhite	XtraWarm	WarmWhite	NeutralWhite
1200mm (max.14.4W)	56 039 32	56 039 42	56 039 12	56 039 02
3000 mm (max. 36 W)	56 039 33	56 039 43	56 039 13	56 039 03
10000 mm (max. 12 W/m)	56 039 31	56 039 41	56 039 11	56 039 01

Accessories

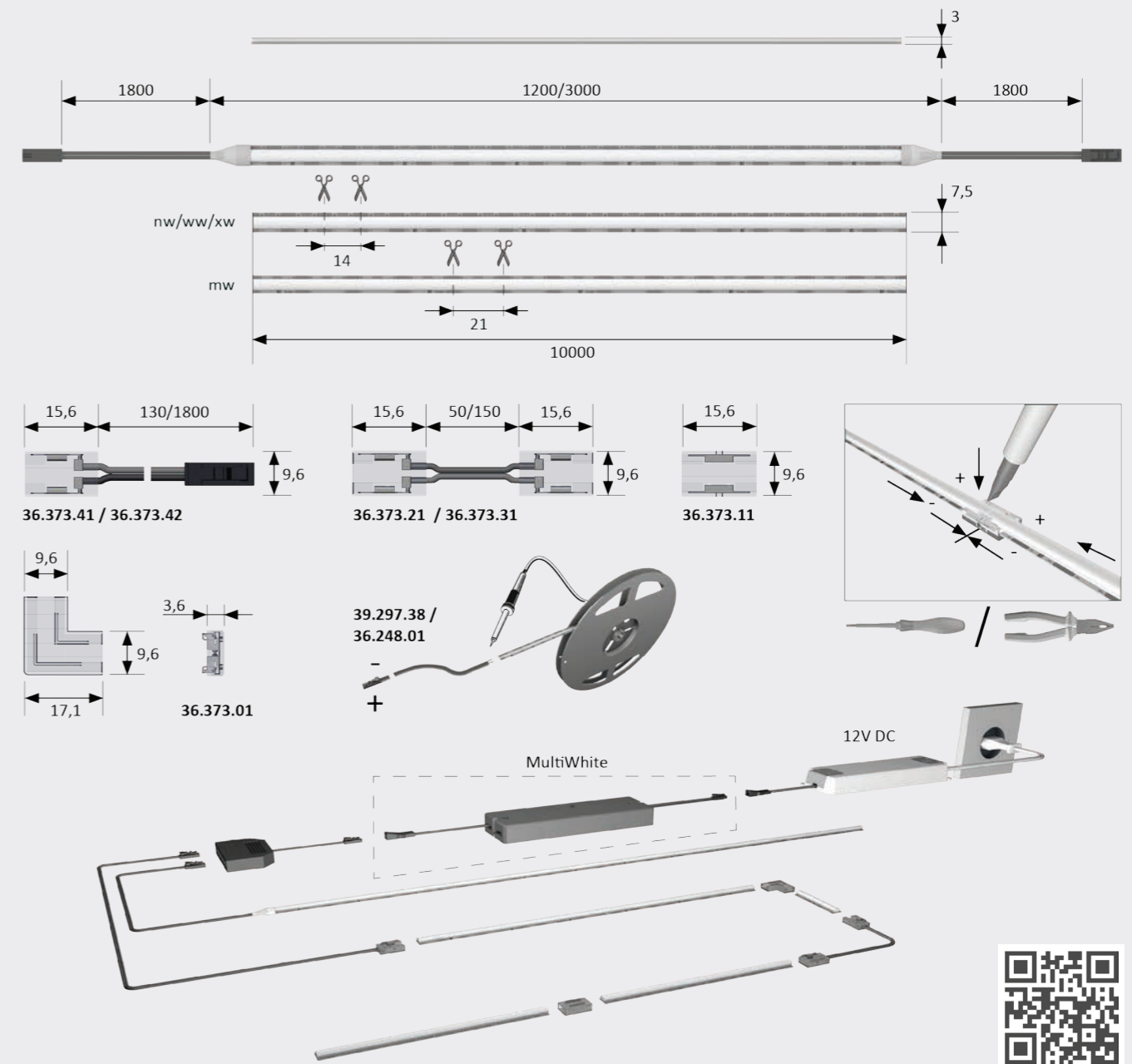
	1 piece	10 piece
Feeder 130 mm for sections	36 373 42	
Feeder 1800 mm for sections	36 373 41	
Soldering lead 130 mm for sections	39 297 38	
Soldering lead 1800 mm for sections	36 248 01	
Direct connector	36 373 11	36 373 12
Corner connectors	36 373 01	36 373 02
Flexible connector 150 mm	36 373 31	36 373 32
Flexible connector 50 mm	36 373 21	36 373 22
Ballast 40 W with Euro flat plug (6-way distributor)	30 488 12	
M1 extension lead 1800 mm	36 768 01	
MultiWhite colour change adapter XW/CW	39 304 40	

Technical details



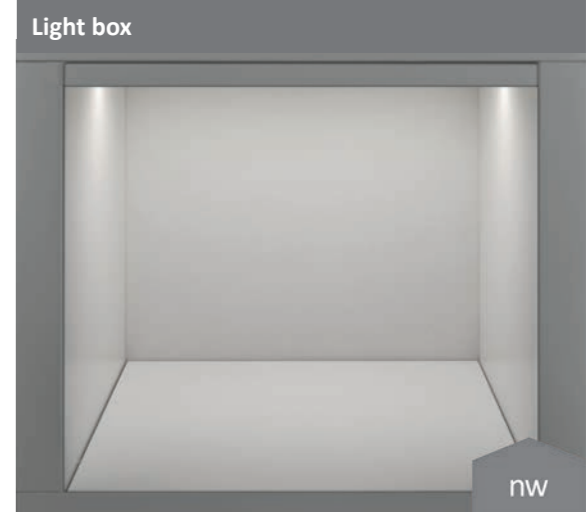
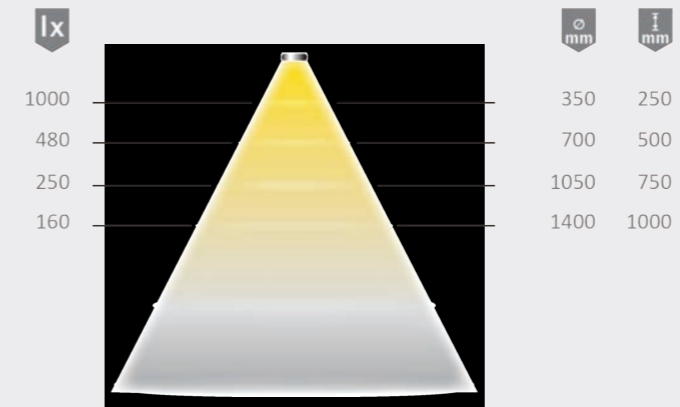
Luminaire type: Surface mounted light
Type of lighting: Functional lighting
Surface finish: White
Operating voltage: 12 Volt DC
Light colour: NeutralWhite / WarmWhite / MultiWhite / XtraWarm
Colour rendering: > 90 Ra
Luminous flux: 1200 -1320 lm/m
Light source efficiency: max. 110 lm/W
Life span: 50,000 h (L80/B10)
Max. length at a stretch: 3 m
Power consumption: max. 12 W/m
Dimmable: PWM
Beam angle: 120°
Half value angle: 70°
Test marks and symbols: CE
Supply lead: 1800 mm
Plug connector: Mini connector M1

Assembly drawing Can be shortened individually





Light distribution diagram 70° - measured in black room



Versa Inside 600

Product advantages

- ▶ 20% more efficient than its predecessor Versa Inside 80
- ▶ 50% more even light distribution than its predecessor

Features

- ▶ Double-side supply lead (one cut, two lights), see drawing
- ▶ 120 LEDs per meter

Application

- ▶ Accent lighting in the living area
- ▶ Universal application

Order information

- ▶ For the 10 m and 50 m rolls, feeders or soldering leads are required
- ▶ MultiWhite accessories are required for MultiWhite light colour

Versa Inside 600

	MultiWhite	XtraWarm	WarmWhite	NeutralWhite
1200 mm (max. 4.8 W)	56 044 32	56 044 42	56 044 12	56 044 02
3000 mm (max. 12 W)	56 044 33	56 044 43	56 044 13	56 044 03
5000 mm (max. 20 W)	56 044 34	56 044 44	56 044 14	56 044 04
10000 mm (max. 4 W/m)	56 044 31	56 044 41	56 044 11	56 044 01
50000 mm (max. 4 W/m)	56 044 30	56 044 40	56 044 10	56 044 00

Accessories

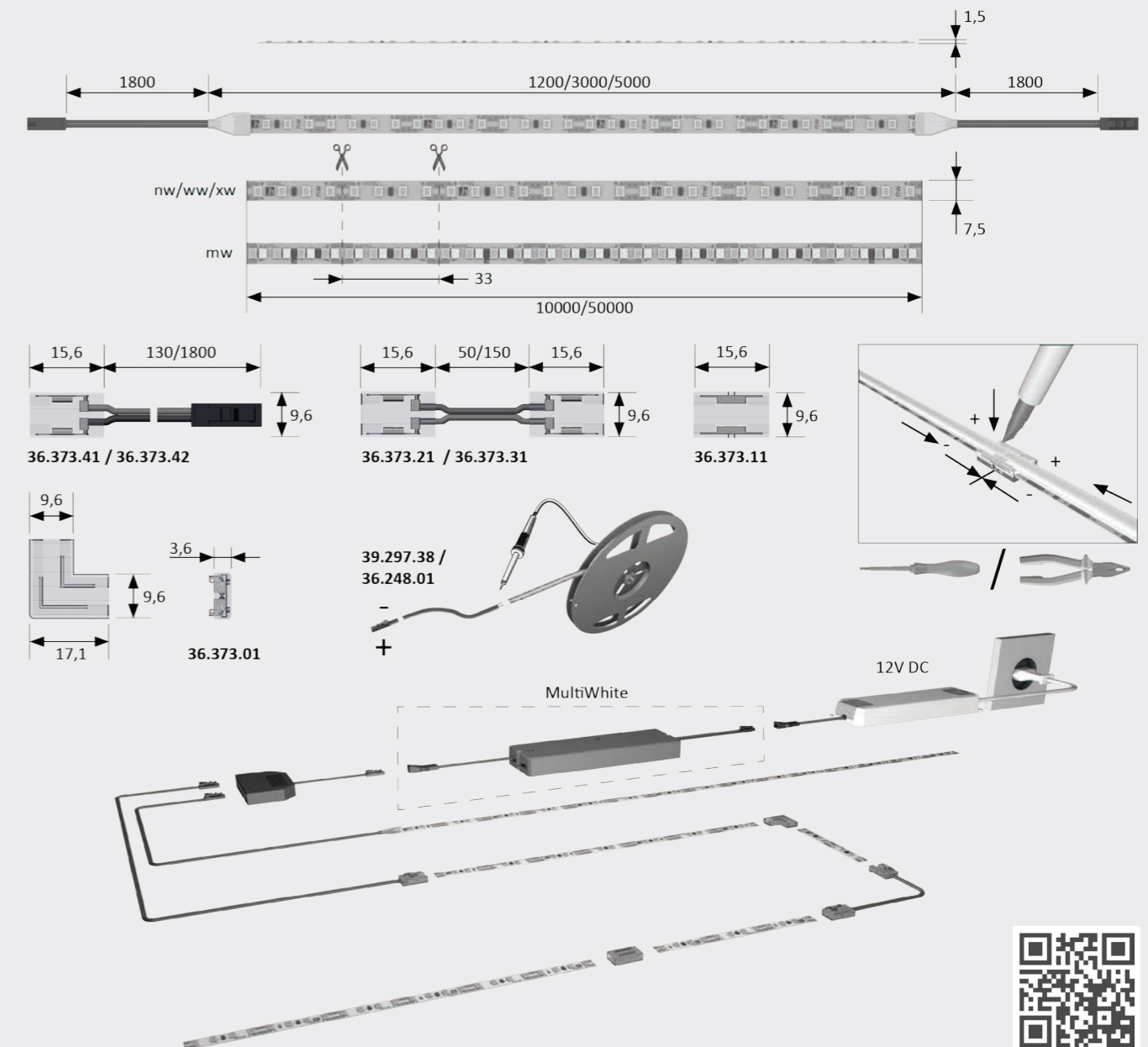
	1 piece	10 piece
Feeder 130 mm for sections	36 373 42	
Feeder 1800 mm for sections	36 373 41	
Soldering lead 130 mm for sections	39 297 38	
Soldering lead 1800 mm for sections	36 248 01	
Direct connector	36 373 11	36 373 12
Corner connectors	36 373 01	36 373 02
Flexible connector 150 mm	36 373 31	36 373 32
Flexible connector 50 mm	36 373 21	36 373 22
Ballast 30 W with Euro flat plug (1-way + 6-way distributor)	31 002 07	
M1 extension lead 1800 mm	36 768 01	
MultiWhite colour change adapter XW/CW	39 304 40	

Technical details



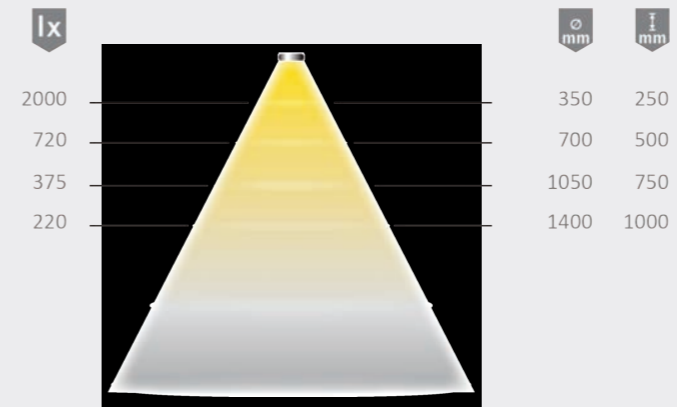
Luminaire type: Surface mounted light
Type of lighting: Accent lighting
Surface finish: White
Operating voltage: 12 Volt DC
Light colour: NeutralWhite / WarmWhite / MultiWhite / XtraWarm
Colour rendering: > 90 Ra
Luminous flux: 600 - 700 lm/m
Light source efficiency: max. 175 lm/W
Life span: 60,000 h (L80/B10)
Max. length at a stretch: 9 m
Power consumption: max. 4 W/m
Dimmable: PWM
Beam angle: 120°
Half value angle: 70°
Test marks and symbols: CE
Protection rating: IP 20
Supply lead: 1800 mm
Plug connector: Mini connector M1

Assembly drawing Can be shortened individually





Light distribution diagram 70° - measured in black room



Light box



Versa Inside 1200

Product advantages

- ▶ 33% more light than the predecessor Versa Inside 120
- ▶ 33% more efficient than its predecessor
- ▶ Same light distribution as the predecessor

Features

- ▶ Double-side supply lead (one cut, two lights), see drawing
- ▶ 120 LEDs per meter

Application

- ▶ Ideal for task and functional lighting

Order information

- ▶ For the 10 m and 50 m rolls, feeders or soldering leads are required
- ▶ MultiWhite accessories are required for Multi-White light colour

Versa Inside 1200

	MultiWhite	XtraWarm	WarmWhite	NeutralWhite
1200 mm (max. 9.6 W)	56 045 32	56 045 42	56 045 12	56 045 02
3000 mm (max. 24 W)	56 045 33	56 045 43	56 045 13	56 045 03
5000 mm (max. 40 W)	56 045 34	56 045 44	56 045 14	56 045 04
10000 mm (max. 8W/m)	56 045 31	56 045 41	56 045 11	56 045 01
50000 mm (max. 8W/m)	56 045 30	56 045 40	56 045 10	56 045 00

Accessories

	1 piece	10 piece
Feeder 130 mm for sections	36 373 42	
Feeder 1800 mm for sections	36 373 41	
Soldering lead 130 mm for sections	39 297 38	
Soldering lead 1800 mm for sections	36 248 01	
Direct connector	36 373 11	36 373 12
Corner connectors	36 373 01	36 373 02
Flexible connector 150 mm	36 373 31	36 373 32
Flexible connector 50 mm	36 373 21	36 373 22
Ballast 30 W with Euro flat plug (1-way + 6-way distributor)	31 002 07	
M1 extension lead 1800 mm	36 768 01	
MultiWhite colour change adapter XW/CW	39 304 40	

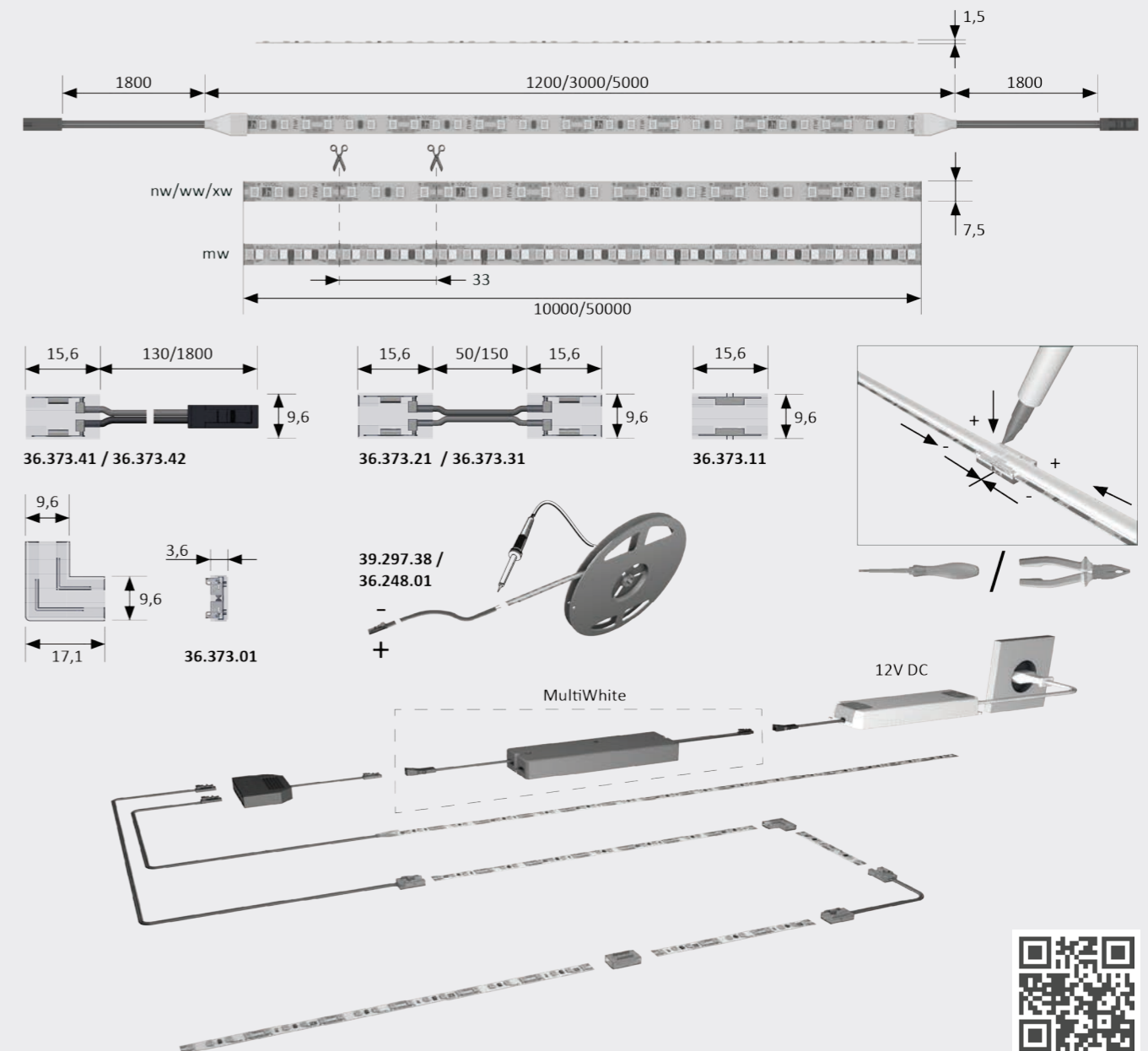
Technical details



Luminaire type: Surface mounted light
Type of lighting: Functional lighting
Surface finish: White
Operating voltage: 12 Volt DC
Light colour: NeutralWhite / WarmWhite / MultiWhite / XtraWarm
Colour rendering: > 90 Ra
Luminous flux: 1200 - 1400 lm/m
Light source efficiency: max. 175 lm/W
Life span: 50,000 h (L80/B10)
Power consumption: max. 8 W/m
Max. length at a stretch: 4,5 m
Dimmable: PWM
Beam angle: 120°
Half value angle: 70°
Test marks and symbols: CE
Protection rating: IP 20
Supply lead: 1800 mm
Plug connector: Mini connector M1

Assembly drawing

Can be shortened individually



Accessories Versa Linear and Versa Inside 12 Volt DC



Feeder 130 mm for sections
Order no. 36 373 42



Feeder 1800 mm for sections
Order no. 36 373 41



Soldering lead 130 mm for sections
Order no. 39 297 38



Soldering lead 1800 mm for sections
Order no. 36 248 01



Direct connector
Order no. 36 373 11



Corner connectors
Order no. 36 373 01



Flexible connector 50 mm
Order no. 36 373 21



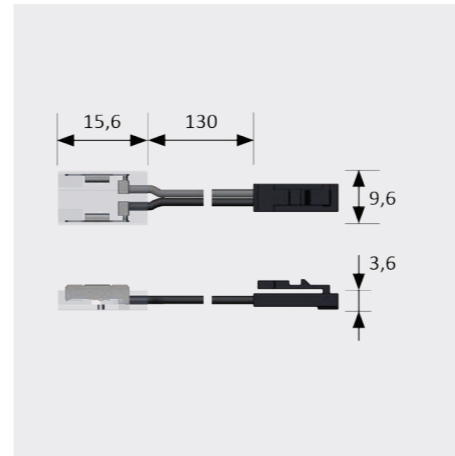
Flexible connector 150 mm
Order no. 36 373 31



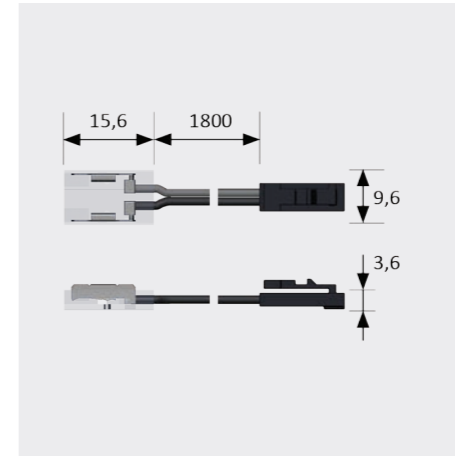
MultiWhite colour change adapter XW/CW*
Order no. 39 304 40

* When a MultiWhite light is connected directly, the light colour changes from XtraWarm to ColdWhite

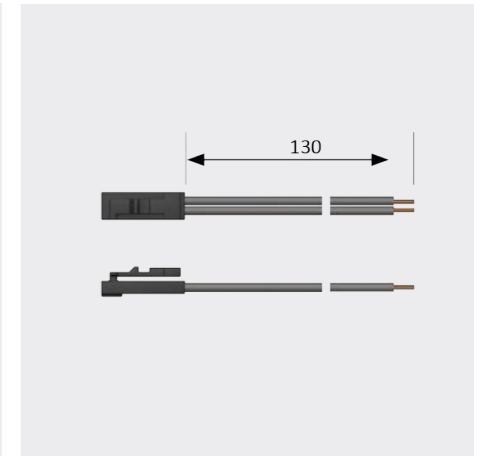
Dimension drawing



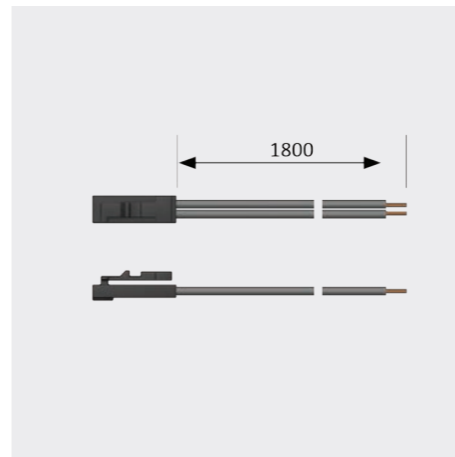
Feeder 130 mm for sections
Order no. 36 373 42



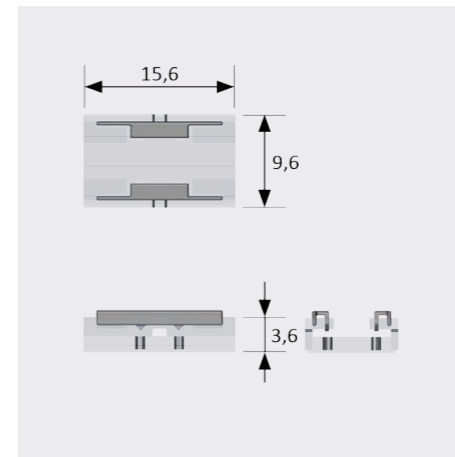
Feeder 1800 mm for sections
Order no. 36 373 41



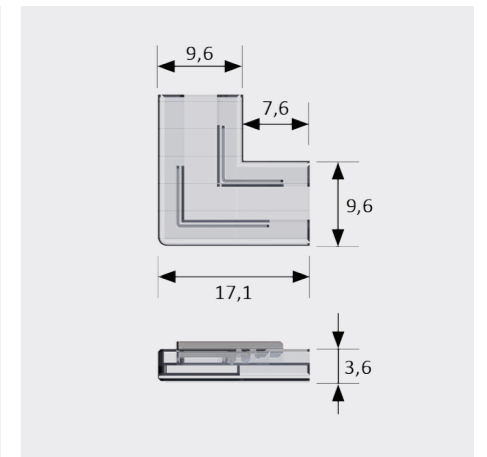
Soldering lead 130 mm for sections
Order no. 39 297 38



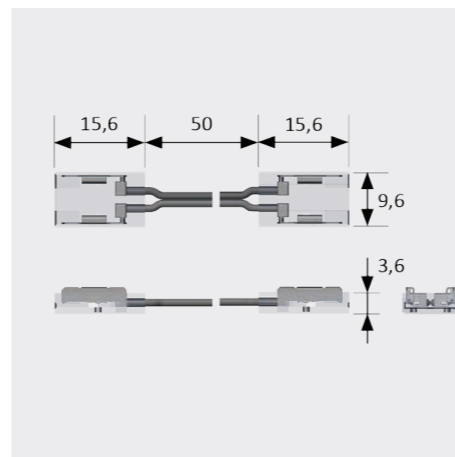
Soldering lead 1800 mm for sections
Order no. 36 248 01



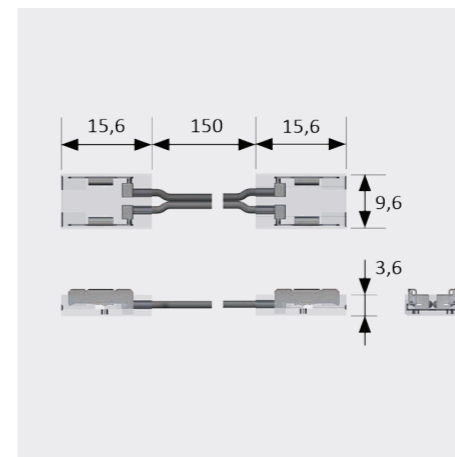
Direct connector
Order no. 36 373 11



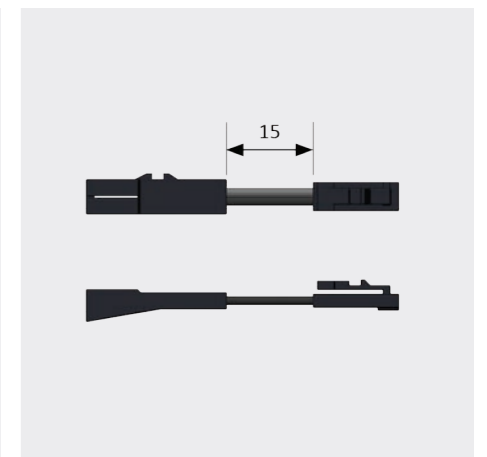
Corner connectors
Order no. 36 373 01



Flexible connector 50 mm
Order no. 36 373 21



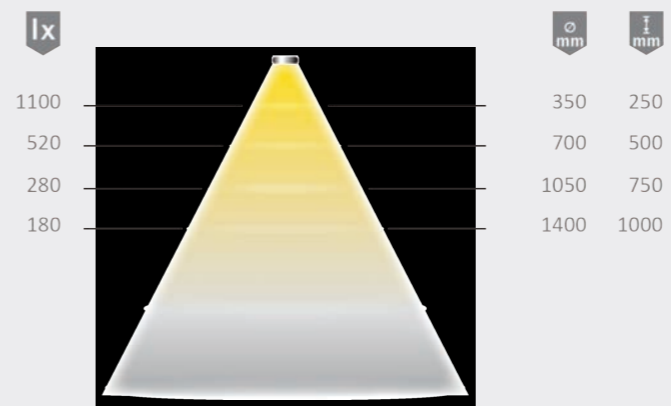
Flexible connector 150 mm
Order no. 36 373 31



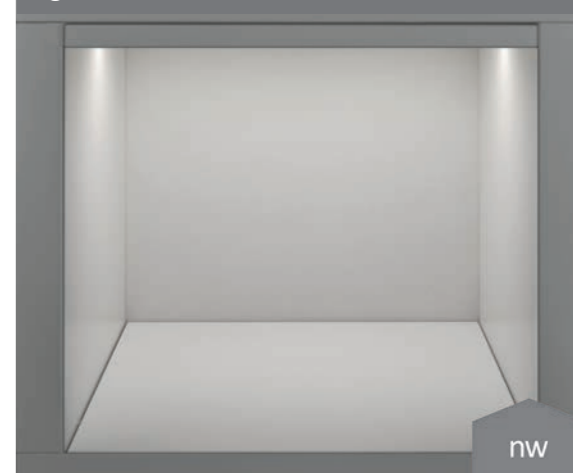
MultiWhite colour change adapter XW/CW*
Order no. 39 304 40



Light distribution diagram 70° - measured in black room



Light box



Versa Linear mini

Product advantages

- ▶ Perfect results even in flat profiles
- ▶ Only 4.5 mm wide for special accents
- ▶ Extremely uniform, homogeneous luminous surface

Features

- ▶ No light spots visible in the profile due to white coating
- ▶ Double-side supply lead (one cut, two lights), see drawing

Application

- ▶ Can be used in the Cadro light profile from Hettich
- ▶ Cabinet sides and shelves

Order information

- ▶ Due to its small size, the use of the soldering lead is only recommended for experienced users

Versa Linear mini

	XtraWarm	WarmWhite	NeutralWhite
3000 mm (max. 18 W)	56 040 43	56 040 13	56 040 03

Accessories

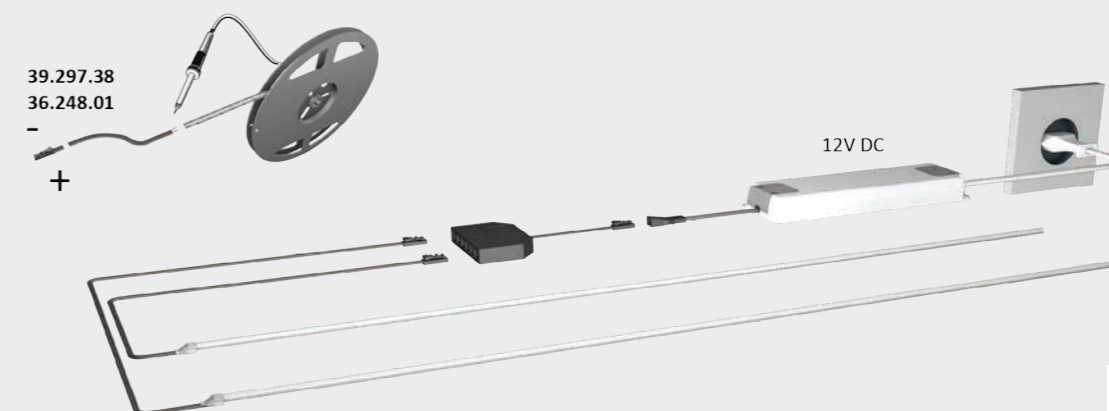
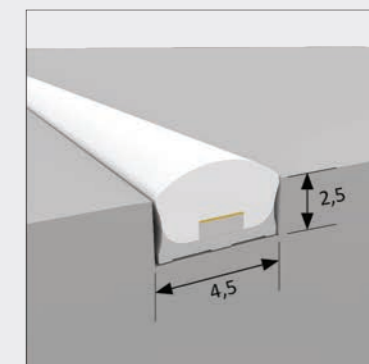
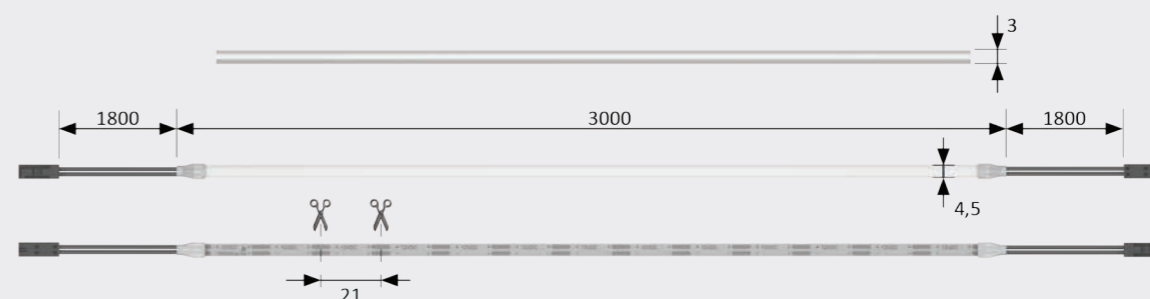
Soldering lead 130 mm for sections	39 297 38
Soldering lead 1800 mm for sections	36 248 01
Ballast 30 W with Euro flat plug (1-way + 6-way distributor)	31 002 07
M1 extension lead 1800 mm	36 768 01

Technical details



Luminaire type:	Surface mounted light
Type of lighting:	Accent lighting
Surface finish:	White
Operating voltage:	12 Volt DC
Light colour:	Neutral White / Warm White / XtraWarm
Colour rendering:	> 90 Ra
Luminous flux:	570 - 630 lm/m
Light source efficiency:	max. 105 lm/W
Life span:	60,000 h (L80/B10)
Power consumption:	max. 6 W/m
Max. length at a stretch:	3 m
Dimmable:	PWM
Beam angle:	120°
Half value angle:	70°
Test marks and symbols:	CE
Protection rating:	IP 20
Supply lead:	1800 mm
Plug connector:	Mini connector M1

Assembly drawing Can be shortened individually





Versa Fix 4x6

Product advantages

- ▶ Flush mounting possible
- ▶ Lateral bending direction (see drawing)
- ▶ Evenly illuminated area
- ▶ Can be individually shortened every 20 mm

Features

- ▶ Double-side supply lead (one cut, two lights), see drawing
- ▶ Suitable for damp rooms

Application

- ▶ Extra narrow cabinet interior lighting
- ▶ Decorative surfaces with visible curves
- ▶ Round counters

Order information

- ▶ Manufacturing tolerances in width must be taken into account when milling
- ▶ MultiWhite accessories are required for MultiWhite light colour

VersaFix 4x6

	MultiWhite	XtraWarm	WarmWhite	NeutralWhite
1200 mm (max. 7.2 W)	56 042 31	56 042 41	56 042 11	56 042 01
3000 mm (max. 18 W)	56 042 33	56 042 43	56 042 13	56 042 03
5000 mm (max. 30 W)	56 042 35	56 042 45	56 042 15	56 042 05

Accessories

Ballast 30 W with Euro flat plug (1-way + 6-way distributor)	31 002 07
M1 extension lead 1800 mm	36 768 01

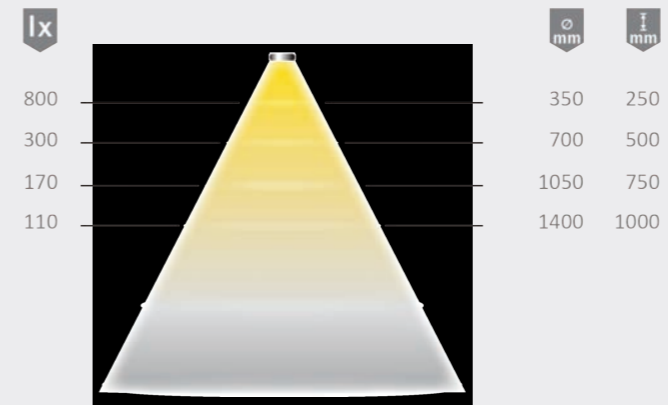
Technical details



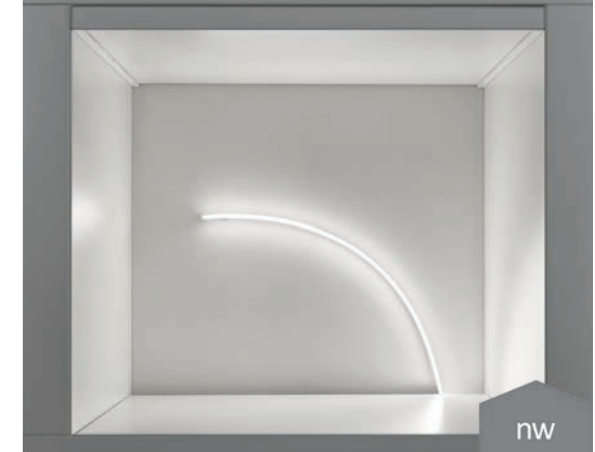
12 V

Luminaire type:	Recessed light
Type of lighting:	Accent lighting
Surface finish:	White
Operating voltage:	12 Volt DC
Light colour:	NeutralWhite/ WarmWhite/ MultiWhite/ XtraWarm
Colour rendering:	> 80 Ra
Luminous flux:	400 - 450 lm/m
Light source efficiency:	max. 75 lm/W
Life span:	40,000 h (L80/B10)
Power consumption:	max. 6 W/m
Max. length at a stretch:	5 m
Dimmable:	PWM
Beam angle:	120°
Half value angle:	70°
Test marks and symbols:	CE
Protection rating:	IP 65
Supply lead:	1800 mm
Plug connector:	Mini connector M1

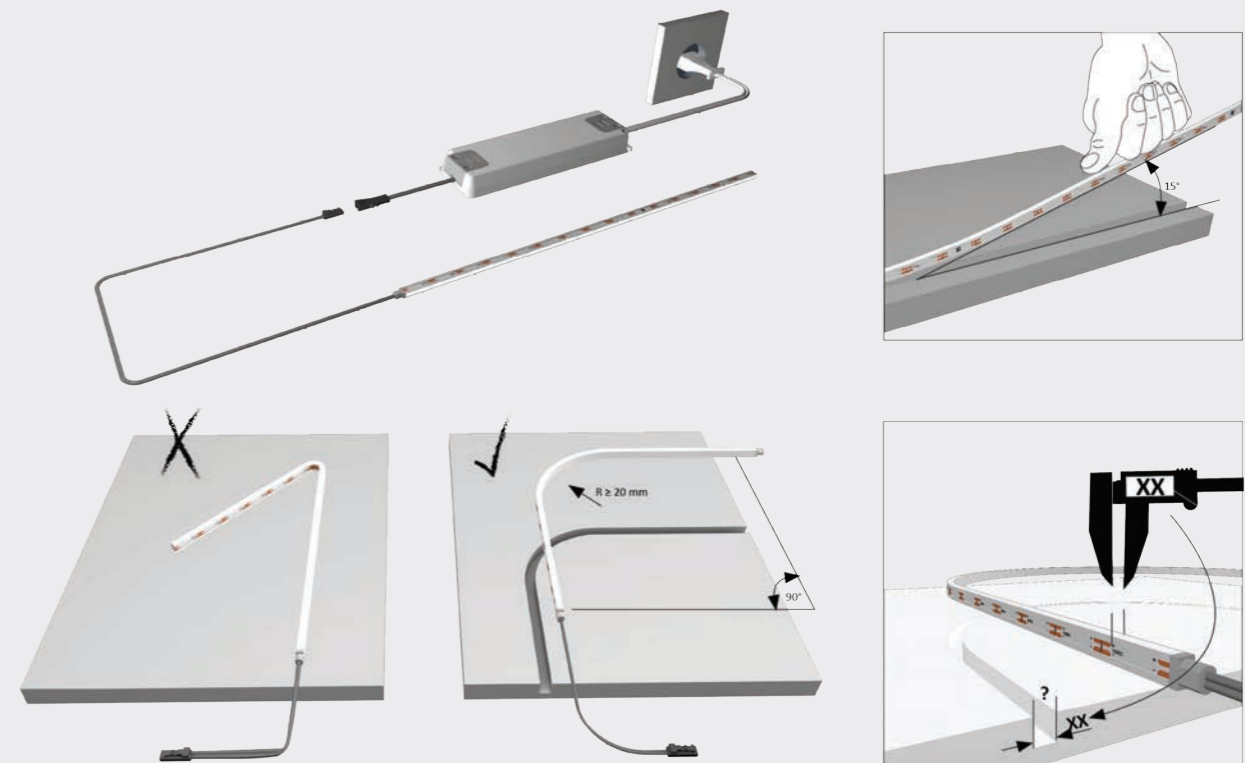
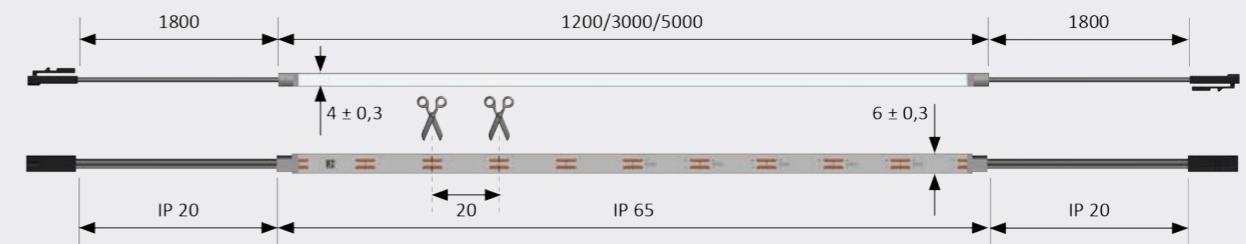
Light distribution diagram 70° - measured in black room



Light box

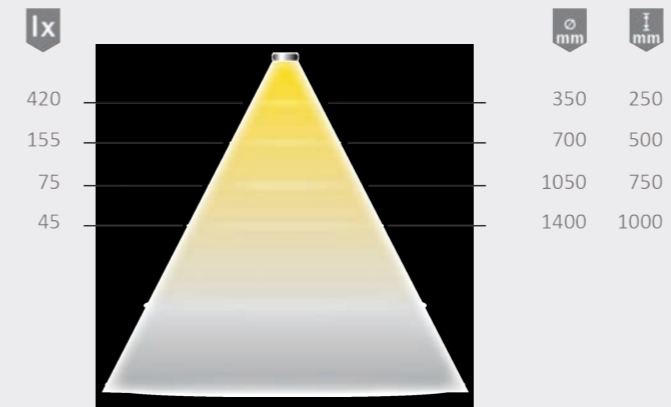


Assembly drawing Can be shortened individually

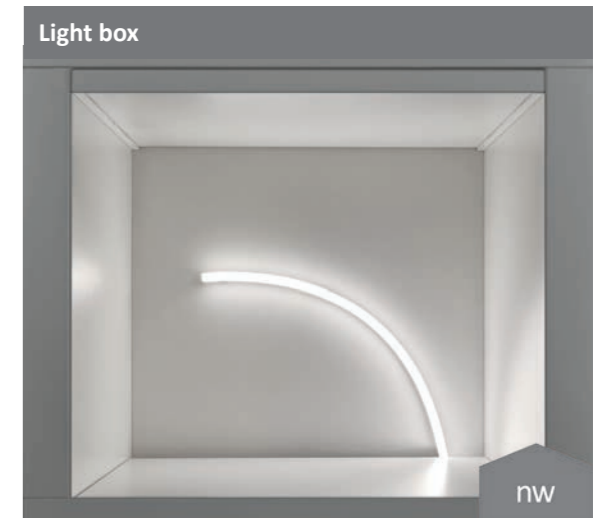




Light distribution diagram 70° - measured in black room



Light box



Versa Fix 8x12

Product advantages

- ▶ Evenly illuminated area
- ▶ Lateral bending direction (see drawing)
- ▶ Flush mounting possible
- ▶ Can be individually shortened every 33 mm

Features

- ▶ Protection against water jets from all directions (IP 65)
- ▶ Suitable for damp locations
- ▶ Double-side supply lead (one cut, two lights), see drawing

Application

- ▶ Round counters
- ▶ Decorative surfaces with visible curves
- ▶ Extra narrow cabinet interior lighting

Order information

- ▶ Packaging unit consists of 1 piece of Versa, 2 end caps and a silicone tube for sealing for damp room applications

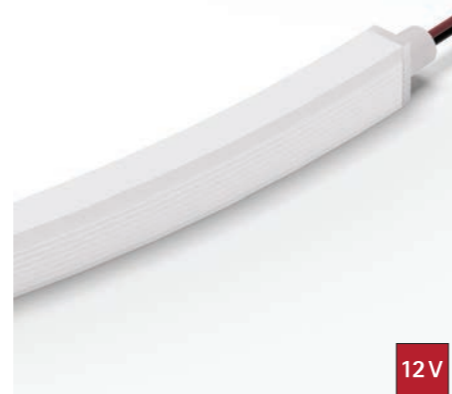
VersaFix 8x12

	WarmWhite	NeutralWhite
2500 mm (max. 18.75 W)	56 025 12	56 025 02
5000 mm (max. 37.5 W)	56 025 11	56 025 01

Accessories

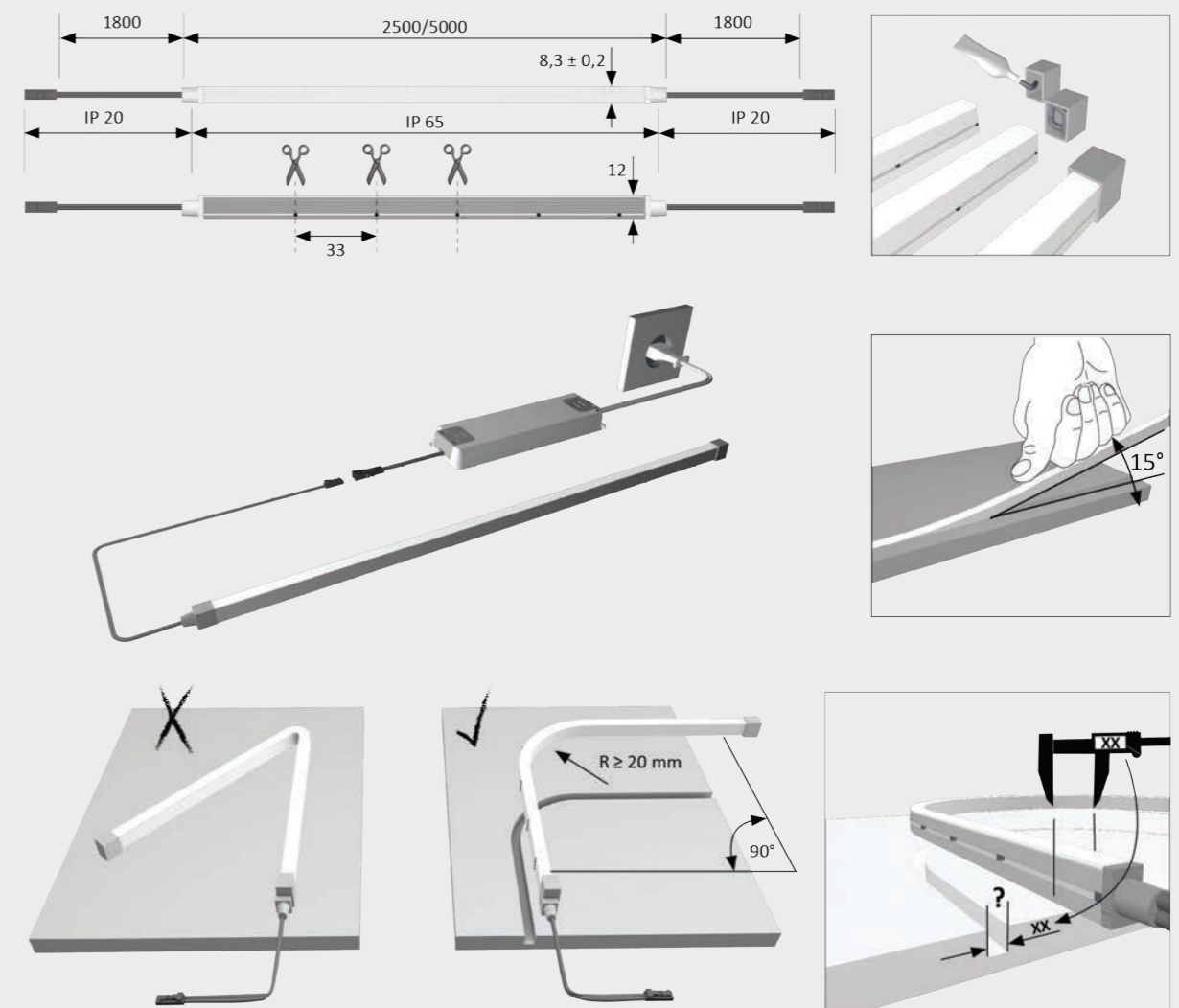
Ballast 30 W with Euro flat plug (1-way + 6-way distributor)	31 002 07
M1 extension lead 1800 mm	36 768 01

Technical details



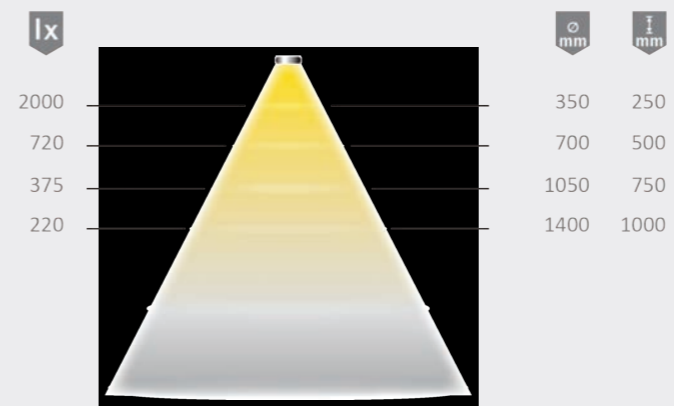
Luminaire type:	Recessed light
Type of lighting:	Accent lighting
Surface finish:	White
Operating voltage:	12 Volt DC
Light colour:	Neutral White/ Warm White
Colour rendering:	> 80 Ra
Luminous flux:	380 - 420 lm/m
Light source efficiency:	max. 56 lm/W
Life span:	40,000 h (L80/B10)
Power consumption:	max. 7.5 W/m
Max. length at a stretch:	5 m
Dimmable:	PWM
Beam angle:	120°
Half value angle:	70°
Test marks and symbols:	CE
Protection rating:	IP 65
Supply lead:	1800 mm
Plug connector:	Mini connector M1

Assembly drawing Can be shortened individually





Light distribution diagram 70° - measured in black room



Light box



Versa Inside 1200 24VDC

Product advantages

- ▶ 40% more efficient than its predecessor Versa Inside 160 (24 Volt DC)

Features

- ▶ Same brightness and light distribution as the predecessor Versa Inside 160 (24 Volt DC)
- ▶ Supply lead on both sides for the 5000 mm length (one section, two lights), see drawing

Application

- ▶ Perfect for indirect room lighting

Order information

- ▶ For the 10 m and 50 m rolls, feeders or soldering leads are required

Technical details



24 V
MP

Versa Inside 1200 24VDC

	MultiWhite	XtraWarm	WarmWhite	NeutralWhite
5000 mm (max. 40 W)	56 046 34	56 046 44	56 046 14	56 046 04
10000 mm (max. 8 W/m)	56 046 31	56 046 41	56 046 11	56 046 01
50000 mm (max. 8 W/m)	56 046 30	56 046 40	56 046 10	56 046 00

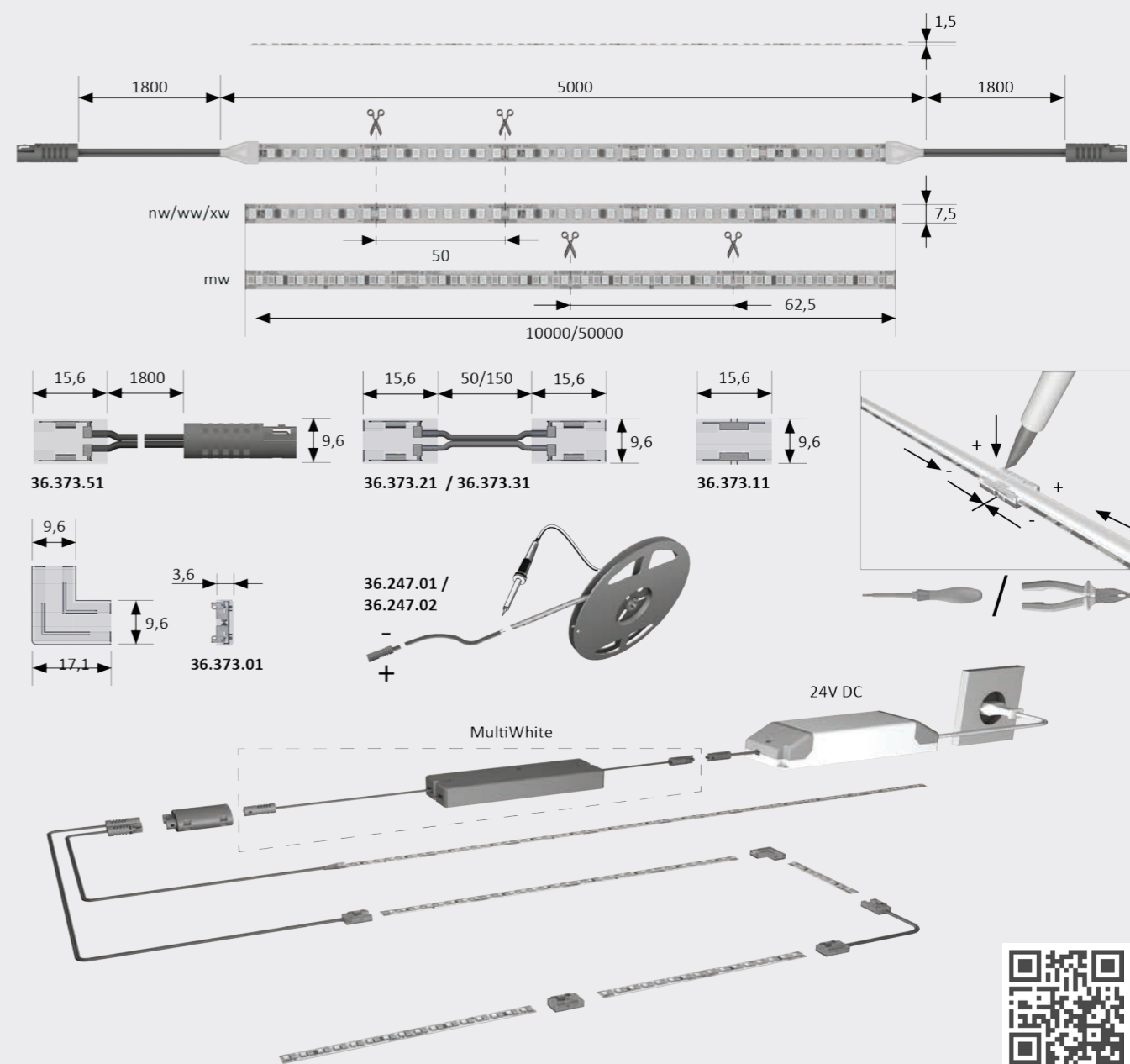
Accessories

	1 piece	10 piece
Soldering lead 130 mm for sections (max. 150 W)	39 416 02	
Soldering lead 1800 mm for sections (max. 150 W)	39 416 01	
Feeder 1800 mm for sections	36 373 51	
Soldering lead 130 mm for sections (max. 72 W)	36 247 02	
Soldering lead 1800 mm for sections (max. 72 W)	36 247 01	
Direct connector	36 373 11	36 373 12
Corner connectors	36 373 01	36 373 02
Flexible connector 150 mm	36 373 31	36 373 32
Flexible connector 50 mm	36 373 21	36 373 22
Ballast with Euro flat plug (75 W)	31 017 01	
MP2 2-way distributor	39 422 51	
MP2 6-way distributor	36 996 01	
MP2 extension lead 1800 mm	36 177 01	

Luminaire type: Surface mounted light
 Type of lighting: Functional lighting
 Surface finish: White
 Operating voltage: 24 Volt DC
 Light colour: NeutralWhite / WarmWhite / MultiWhite / XtraWarm
 Colour rendering: > 90 Ra
 Luminous flux: 1200 lm/m
 Light source efficiency: max. 175 lm/W
 Life span: 50,000 h (L80/B10)
 Max. length at a stretch: 9 m
 Power consumption: max. 8 W/m
 Dimmable: PWM
 Beam angle: 120°
 Half value angle: 70°
 Test marks and symbols: CE
 Protection rating: IP 20
 Supply lead: 1800 mm
 Plug connector: Mini connector MP2

Assembly drawing

Can be shortened individually





Versa Inside 2100 24VDC

Product advantages

- ▶ 100% more efficient than its predecessor Versa Inside 233 HP

Features

- ▶ Same brightness as the predecessor Versa Inside 233 HP
- ▶ Supply lead on both sides for the 5000 mm length (one section, two lights), see drawing

Application

- ▶ Also suitable for room lighting
- ▶ Luminaire construction for very high light requirements

Order information

- ▶ For the 10 m and 50 m rolls, feeders or soldering leads are required

Versa Inside 2100 24VDC

	XtraWarm	WarmWhite	NeutralWhite
5000 mm (max. 70 W)	56 047 44	56 047 14	56 047 04
10000 mm (max. 14 W/m)	56 047 41	56 047 11	56 047 01
50000 mm (max. 14 W/m)	56 047 40	56 047 10	56 047 00

Accessories

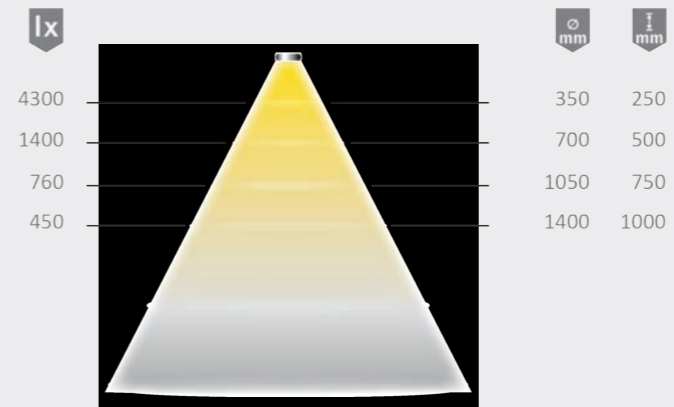
	1 piece	10 piece
Soldering lead 130 mm for sections (max. 150 W)	39 416 02	
Soldering lead 1800 mm for sections (max. 150 W)	39 416 01	
Feeder 1800 mm for sections	36 373 51	
Soldering lead 130 mm for sections (max. 72 W)	36 247 02	
Soldering lead 1800 mm for sections (max. 72 W)	36 247 01	
Direct connector	36 373 11	36 373 12
Corner connectors	36 373 01	36 373 02
Flexible connector 150 mm	36 373 31	36 373 32
Flexible connector 50 mm	36 373 21	36 373 22
Ballast with Euro flat plug (75 W)	31 017 01	
MP2 2-way distributor	39 422 51	
MP2 6-way distributor	36 996 01	
MP2 extension lead 1800 mm	36 177 01	

Technical details



Luminaire type: Surface mounted light
 Type of lighting: Functional lighting
 Surface finish: White
 Operating voltage: 24 Volt DC
 Light colour: Neutral White / Warm White / XtraWarm
 Colour rendering: > 90 Ra
 Luminous flux: 2100 lm/m
 Light source efficiency: max. 165 lm/W
 Life span: 50,000 h (L80/B10)
 Power consumption: max. 14 W/m
 Max. length at a stretch: 5 m
 Dimmable: PWM
 Beam angle: 120°
 Half value angle: 70°
 Test marks and symbols: CE
 Protection rating: IP 20
 Supply lead: 1800 mm
 Plug connector: Mini connector MP2

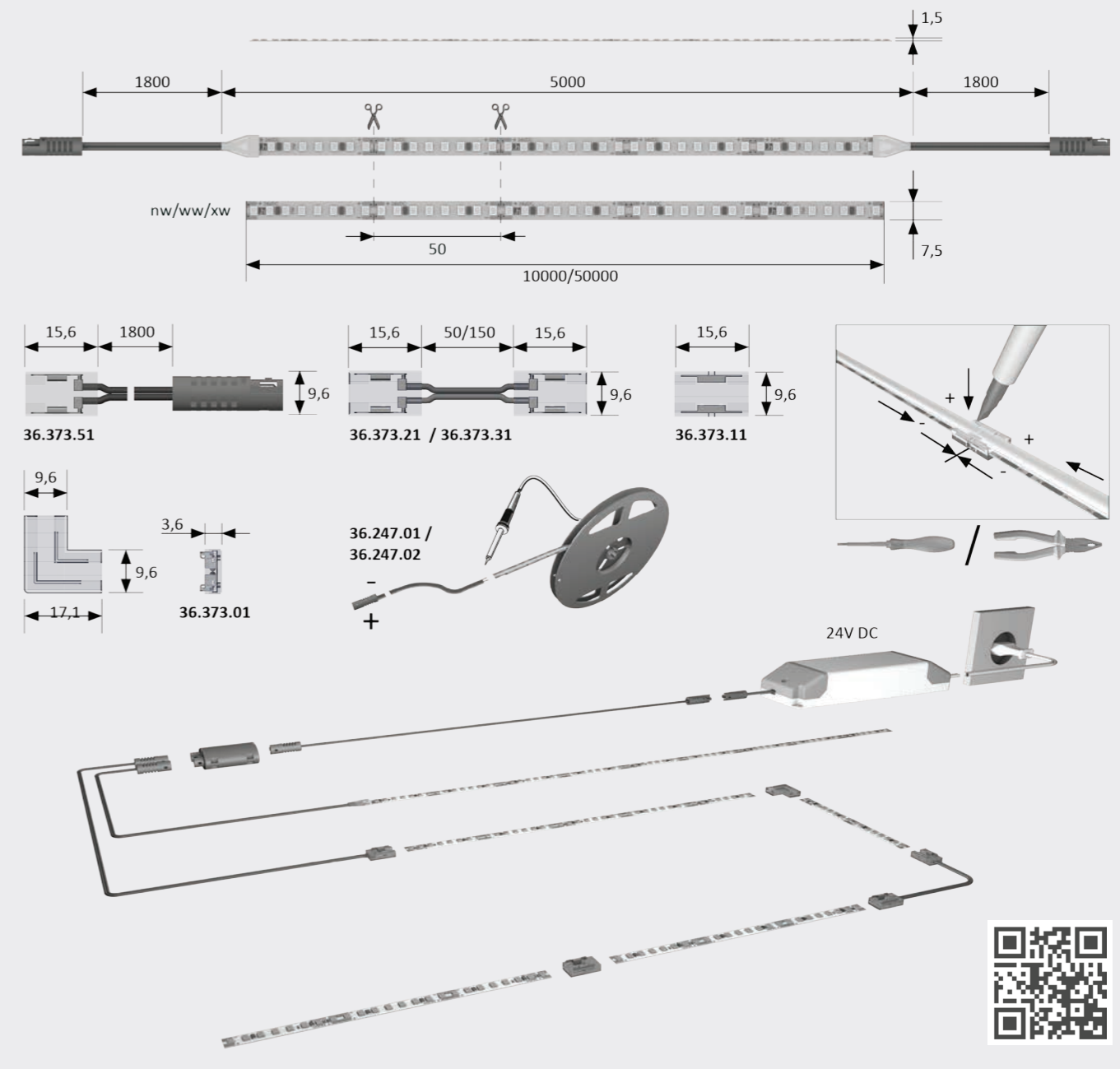
Light distribution diagram 70° - measured in black room



Light box



Assembly drawing Can be shortened individually





Versa Inside MaxiColor PnP

Product advantages

- ▶ Bright light with adjustable colour change plus warm white (RGB-W)
- ▶ Creates a feel-good atmosphere through adjustable colour flow
- ▶ Pleasant rainbow colour spectrum with pastel colours

Features

- ▶ Setting a fixed light colour possible, even after a power failure (memory function)
- ▶ The MaxiColor repeater can be used to control additional lights synchronously

Application

- ▶ Must be used with aluminium profiles
- ▶ Mood lighting in edges, plinths, panels and profiles
- ▶ Corporate colour in marketing and company logos

Order information

- ▶ S-Mitter remote control and Smart Receiver must be ordered separately

Versa Inside MaxiColor PnP

	MaxiColor
3000 mm (max. 57.6W)	56 029 02
5000 mm (max. 96 W)	56 029 01

Accessories

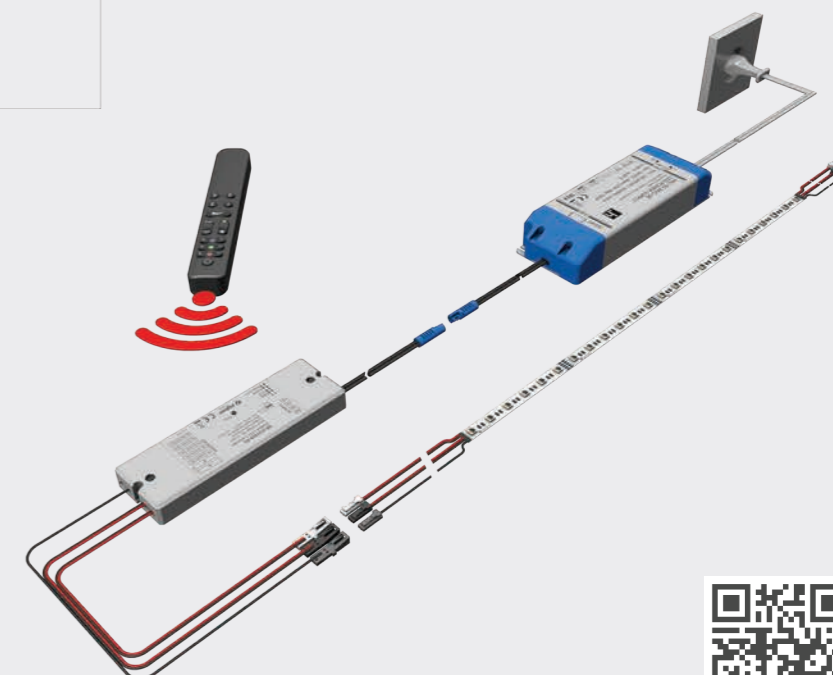
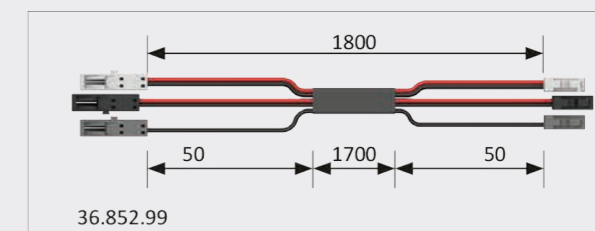
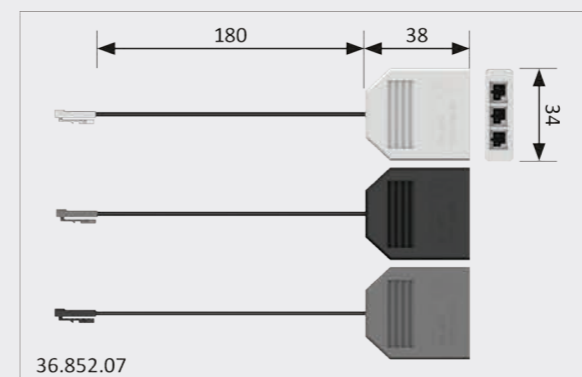
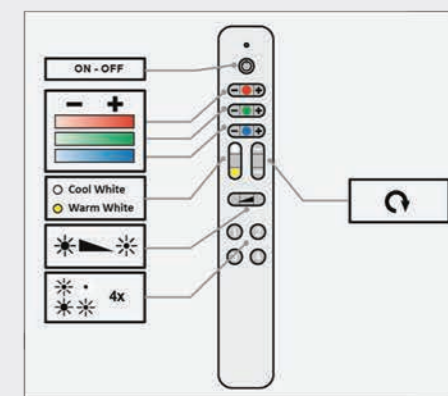
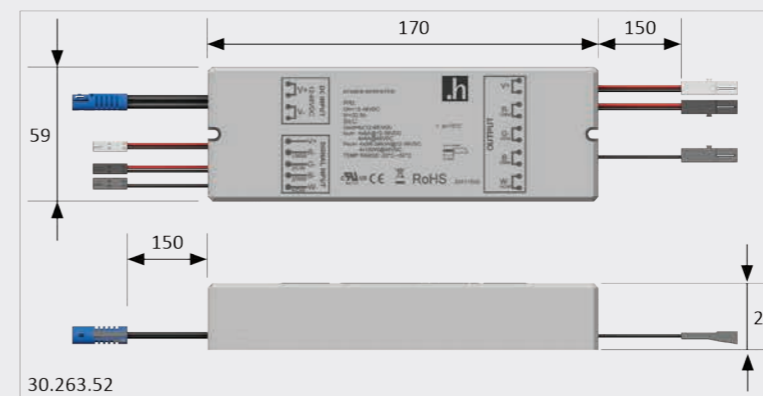
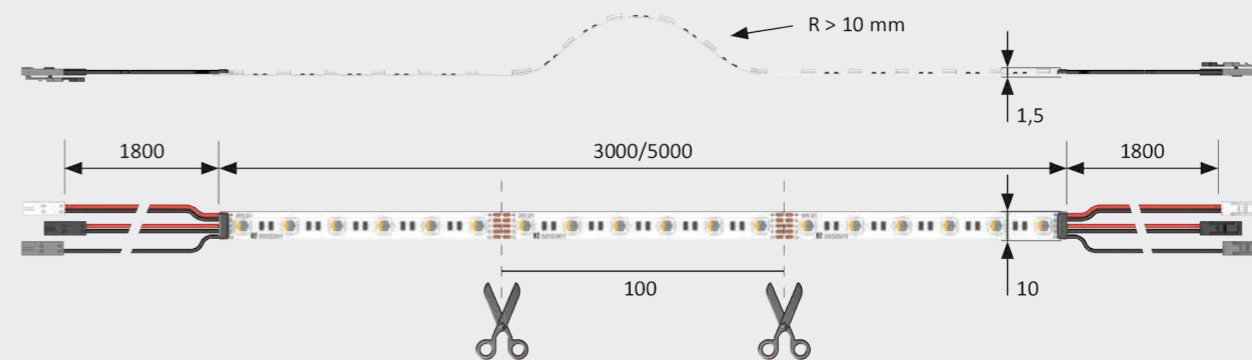
S-Mitter Smart Remote Control MaxiColor	31 132 01
Smart Receiver MaxiColor (max. 120 W)	31 133 02
DALI dimming module MaxiColor (max. 120 W)	31 041 82
Ballast with Euro flat plug (150 W)	30 017 11
Ballast with Euro flat plug (75 W)	31 017 01
MaxiColor 3-way distributor set 180 mm	36 852 07
MaxiColor extension lead 1800 mm	36 852 99
Repeater MaxiColor (max. 150 W)	30 263 52

Technical details



Luminaire type:	Surface mounted light
Type of lighting:	Accent lighting
Surface finish:	White
Operating voltage:	24 Volt DC
Light colour:	MaxiColor
Life span:	50,000 h (L80/B10)
Power consumption:	max. 19.2 W/m
Max. length at a stretch:	5 m
Beam angle:	120°
Half value angle:	70°
Test marks and symbols:	CE
Protection rating:	IP 20
Supply lead:	1800 mm
Plug connector:	System-specific

Assembly drawing Can be shortened individually





Versa Linear MaxiColor

Product advantages

- ▶ Bright light with adjustable colour change plus warm white (RGB-W)
- ▶ Creates a feel-good atmosphere through adjustable colour flow
- ▶ Pleasant rainbow colour spectrum with pastel colours
- ▶ Bright light with adjustable light colour plus warm white (RGB-W)

Application

- ▶ Mood lighting in edges, plinths, panels and profiles
- ▶ Corporate colour in marketing and company logos
- ▶ Indirect room lighting in ceilings, bathroom furniture and bed headboards

Order information

- ▶ S-Mitter remote control and Smart Receiver must be ordered separately

Features

- ▶ Setting a fixed light colour possible, even after a power failure (memory function)
- ▶ The MaxiColor repeater can control additional lights synchronously
- ▶ Control of the light colour with radio remote control S-Mitter MaxiColor (4 light scenes)

Versa Linear MaxiColor

	MaxiColor
3000mm (max.)	56 037 02
5000 mm (max.)	56 037 01

Accessories

S-Mitter Smart Remote Control MaxiColor	31 132 01
Smart Receiver MaxiColor (max. 120 W)	31 133 02
DALI dimming module MaxiColor (max. 120 W)	31 041 82
Ballast with Euro flat plug (150 W)	30 017 11
Ballast with Euro flat plug (75 W)	31 017 01
MaxiColor 3-way distributor set 180 mm	36 852 07
MaxiColor extension lead 1800 mm	36 852 99
Repeater MaxiColor (max. 150 W)	30 263 52

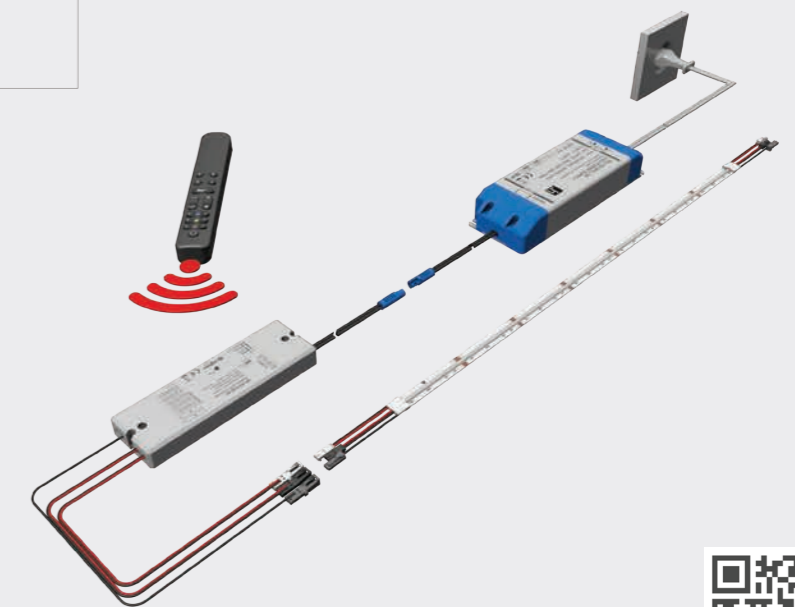
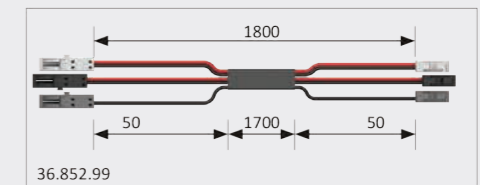
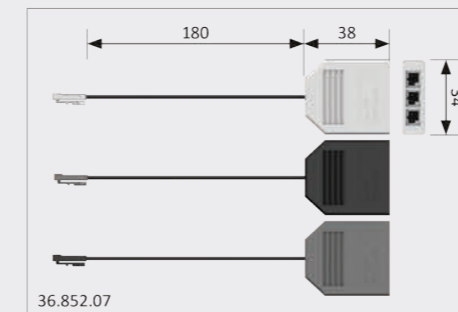
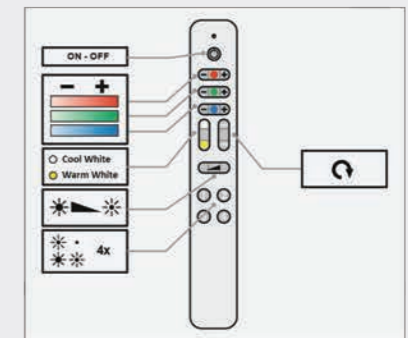
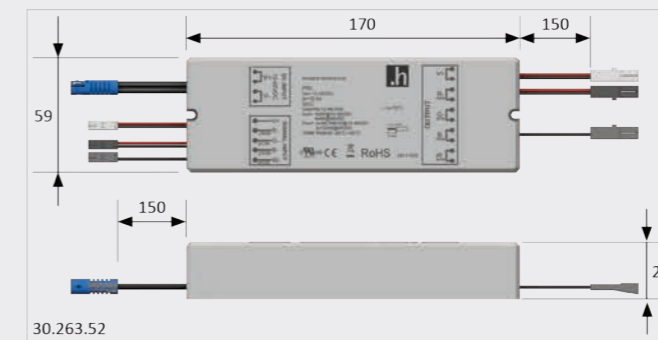
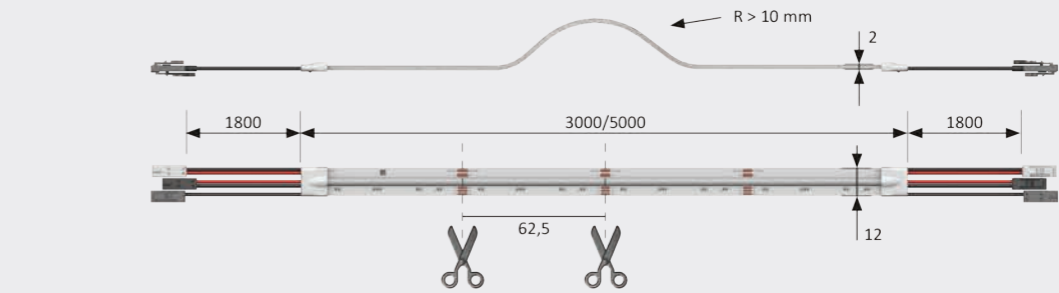
Technical details



24 V MP

Luminaire type:	Surface mounted light
Type of lighting:	Accent lighting
Surface finish:	White
Operating voltage:	24 Volt DC
Light colour:	MaxiColor
Life span:	50,000 h (L80/B10)
Power consumption:	max. 15 W/m
Max. length at a stretch:	5 m
Beam angle:	120°
Half value angle:	70°
Test marks and symbols:	CE
Protection rating:	IP 20
Supply lead:	1800 mm
Plug connector:	System-specific

Assembly drawing Can be shortened individually





Channelline sample set

55 559 24

With this set you will receive samples of all profiles with covers and end caps in a handy felt roll under a single collection number.

Versa sample set

55 825 24

Included are ready-to-connect 30 cm pieces of all Versa Inside and Versa Linear models, as well as clamp connectors and connecting cables.

Individual sample pieces

See page 207

The individual 30 cm long samples of the profiles and covers can be found in the overview.

HALEMEIER sample sets

The perfect aid to sales.

What light colours and intensities do the Versa LED strips have in use?

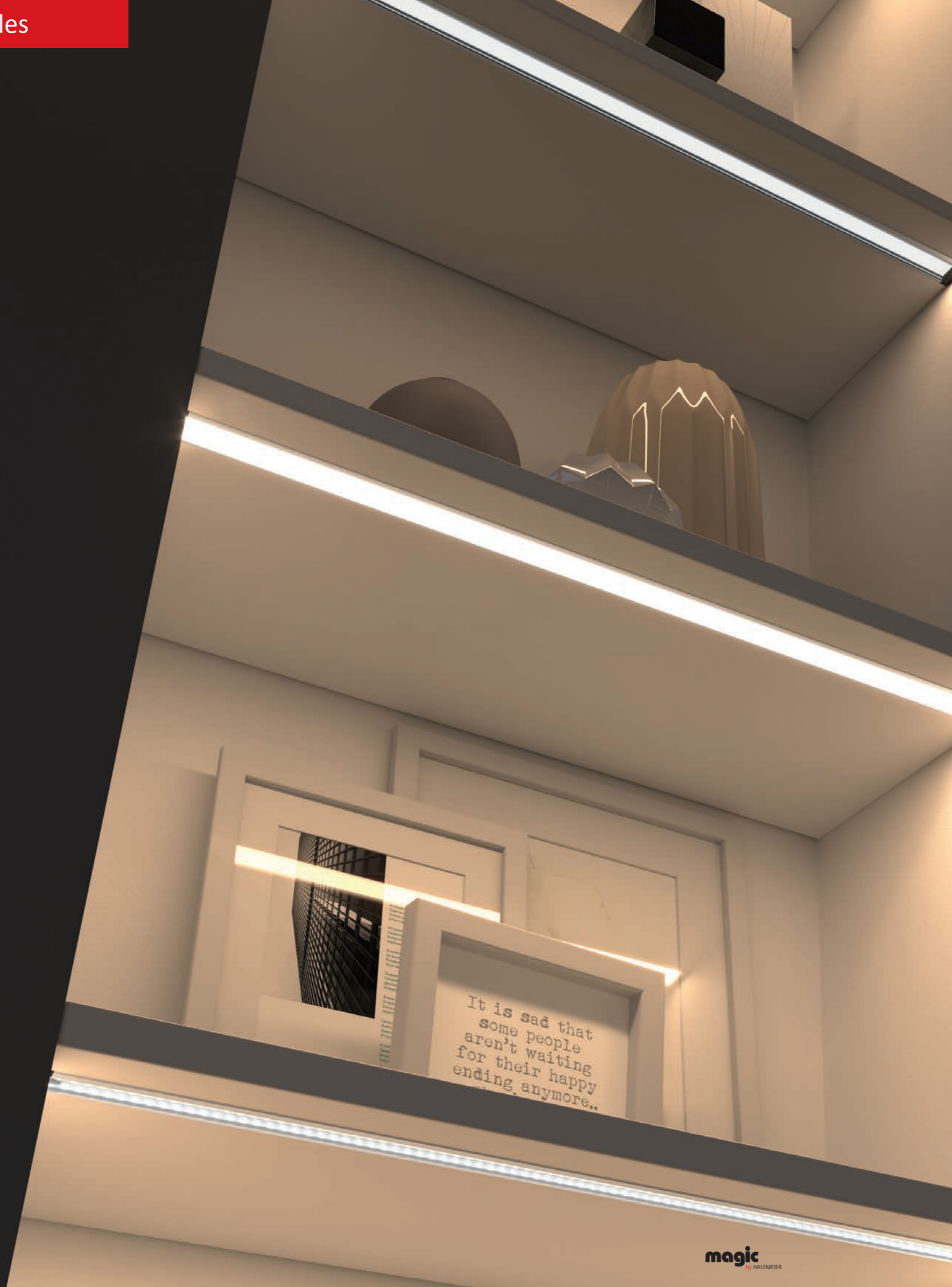
How do the Channelline profiles in black and in aluminium look like?

Are diverse covers available for them?

It is very easy to answer all these questions during a sales discussion – with the HALEMEIER sample sets.

All HALEMEIER Channelline profiles and the 12 Volt Versa items that can be processed with them can be found in the sample sets. They show the diverse possibilities of the individual combination of profile and strip in a short and practical presentation.

The sets are available for a fee – your HALEMEIER contact person will be delighted to provide you with a sample set.



ChannelLine profiles

Perfect combinations



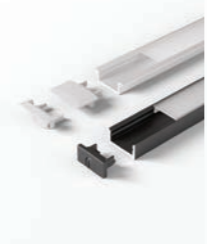
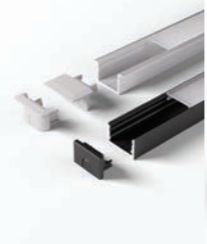
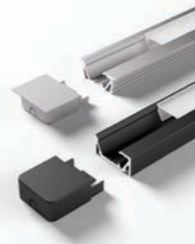
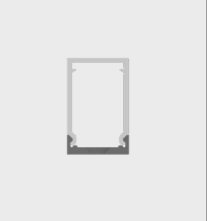
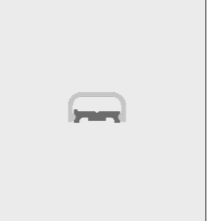



The high-quality profiles are available in a variety of options. Should it be built in? Should it be black? Should the light output be glare-free?

Our profiles are equipped with an opal cover. The light is scattered, thus avoiding glare. If the profile and tape are combined correctly, no LED light dots are visible. The special material of the covers changes the light colour of the LED only minimally. Due to the scattering effect, brightness is lost.


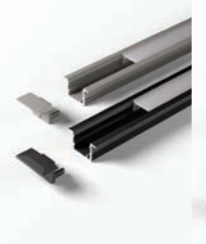
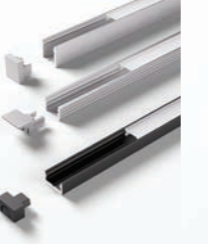
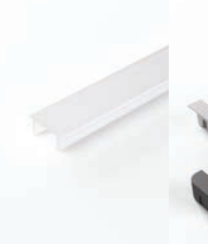
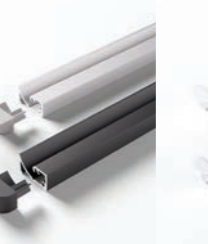
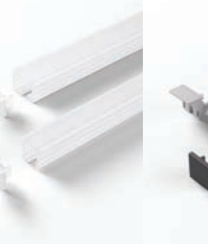
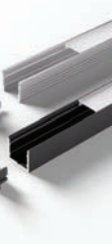


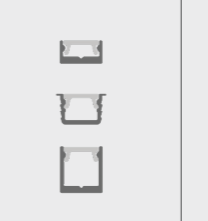
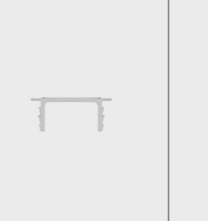

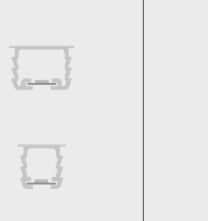
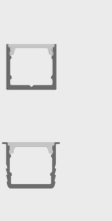
Dark cover - available separately for select models. Matches the black profile for a very modern look. However, the brightness and light colour are affected.

Clear cover
Enables maximum light output or brightness. However, the LEDs are visible and attention must be paid to glare.



Recommended combinations of Versa strips in ChannelLine profiles						
Model	ChannelLine A	ChannelLine J	ChannelLine C / D	ChannelLine C2 / D2	ChannelLine G / G2	
						
Page	Page 66	Page 67	Page 68/70	Page 69/71	Page 76-77	
Advantages	High-quality recessed profile; homogeneous and glare-free light line; can be used in sight	Aluminium recessed mounting profile with opal cover	High-quality flat built-in/surface-mounted profile; C with filigree profile bar; D for flush mounting	High-quality deep installation profile; C2 with filigree profile bar; D2 for flush mounting	Slanted light output; G for flush mounting; G2 with filigree profile bar	
Applications	Edge lighting for kitchen worktops; backlighting	Furniture floors; furniture studs	Cabinet interior lighting in the floor; kitchen niche or top; shelves	Cabinet interior lighting in the floor; Mirror frame lighting	Cabinet interior lighting; retrofitting in kitchen niches; product presentation on the sales shelf	
Profile view						
Milling dimension (Width x Depth)	16mmx25mm	mounting profile	C: 19.8mm x 7.5 mm* D: 20.5 mm x 10 mm	C2: 19.8 mm x 13.5 mm* D2: 20.5 mm x 13.5 mm	G: 22 mm x 10 mm G2: 22 mm x 9.6 mm*	
Versa Linear 600	Type of lighting	Accent light	Accent light	Accent light	Accent light	Accent/functional light
	Light point visibility	Invisible	Invisible	Invisible	Invisible	Invisible
Versa Linear 1200	Type of lighting	Functional light	Functional light	Functional light	Functional light	Functional light
	Light point visibility	Invisible	Invisible	Invisible	Invisible	Invisible
Versa Inside 600	Type of lighting	Accent light	Accent light	Accent light	Accent light	Accent light
	Light point visibility	Invisible	Visible	Visible	Invisible	Low
Versa Inside 1200 12/24 volt DC	Type of lighting	Functional light	Functional light	Functional light	Functional light	Functional light
	Light point visibility	Invisible	Visible	Visible	Invisible	Invisible
Versa Inside 2100 24 volts	Type of lighting	Functional light	Functional light	Functional light	Functional light	Functional light
	Light point visibility	Invisible	Visible	Visible	Invisible	Invisible

* with installation spring

Recommended combinations of Versa strips in ChannelLine profiles						
ChannelLine H	ChannelLine K2	ChannelLine i /i2 /i3	ChannelLine F	ChannelLine S /S2	ChannelLine T1 / T2	ChannelLine U / U2
						
Page 80	Page 81	Page 82-84	Page 85	Page 86-87	Page 88-89	Page 74-75
Mounting profile for the corner; Almost borderless illuminated surfaces; wide light emission	High-quality deep recessed profile; ideal for high-light applications;	High-quality aluminium profile; i/i3 for flush mounting; i2 with filigree profile bar; i/i2 filigree profile for thin materials	Beam angle and homogeneity can be varied with the milling depth	Profile without cover; angled light output; recessed/surface-mounted profile	Recessed profile with filigree profile bar; glare-free light emission	High-quality aluminium profile; U for flush mounting; U2 with filigree profile bar
Furniture corners; kitchen niches	Niches; shelves; Top floors	Accent lighting in display cabinets or shelves	For milling into wood	Cabinet interior lighting as functional or accent lighting	Ideal for use in the kitchen; for lateral lighting in the niche	Wide beam interior cabinet lighting in the floor; shelves; kitchen niches and top floors
						
mounting profile	16 mm x 12 mm*	i: 11 mm x 6mm i2: 11 mm x 8 mm i3: 11 mm x 12 mm	17 mm x 8 mm	S: 18 mm x 9 mm S2: 18 mm x 8 mm	T1: 15 mm x 11 mm T2: 10.5 mm x 11 mm	U: 13 mm x 12 mm U2: 13 mm x 11.5 mm
Accent light	Accent light	Accent light	Accent light	Accent light	Accent light	Accent light
Invisible	Invisible	Invisible	Invisible	Invisible	Invisible	Invisible
Functional light	Functional light	Functional light	Functional light	Functional light	Functional light	Functional light
Invisible	Invisible	Invisible	Invisible	Invisible	Invisible	Invisible
Accent light	Accent light	Accent light	Accent light	Accent light	Accent light	Accent light
Visible	Invisible	Visible	Invisible	Low	Invisible	Invisible
Functional light	Functional light	Functional light	Functional light	Functional light	Functional light	Functional light
Invisible	Invisible	Visible	invisible from 11 mm depth	Invisible	Invisible	Invisible
Functional light	Functional light	Functional light	Functional light	Functional light	Functional light	Functional light
Invisible	Invisible	Invisible	invisible from 11 mm depth	Invisible	Invisible	Invisible

Linear lights

ChannelLine profiles

Spotlights

Special lights

Switch systems

Ballasts / leads

Lighting knowledge



Channelline A

Product advantages

- ▶ Homogeneous and glare-free light line
- ▶ Can be installed at sight level

Features

- ▶ Homogeneous light line from Versa Inside 600
- ▶ Beam angle when installed is approx. 35°

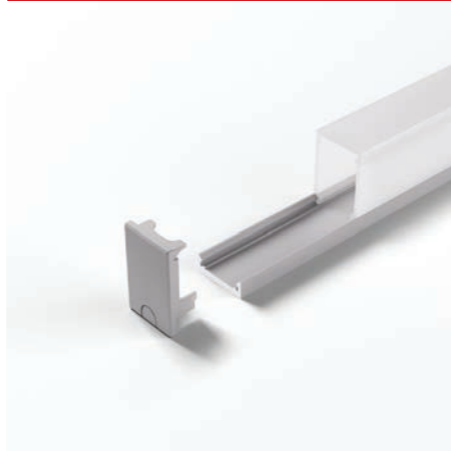
Application

- ▶ Edge lighting for kitchen worktops or vertically between fronts
- ▶ Backlighting for low or sideboards

Order information

- ▶ Use of feeders and connectors in the profile possible

Technical details



Recommended for:

- Versa Inside 600
- Versa Inside MaxiColor



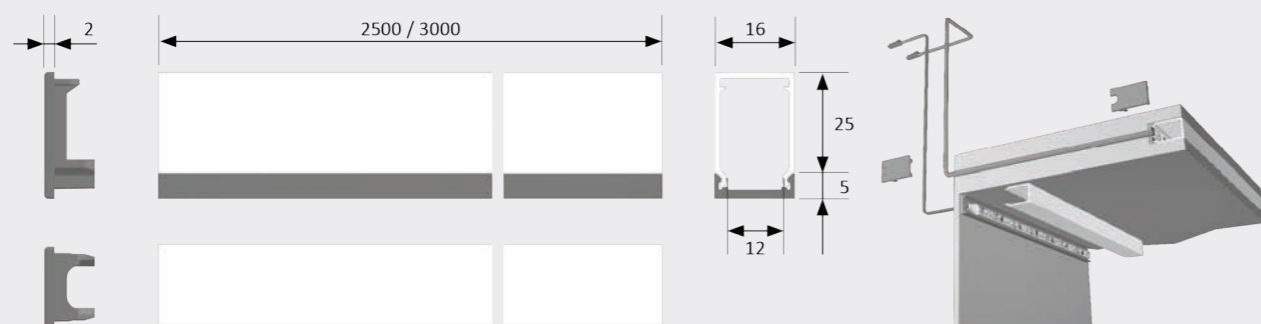
Channelline A

	Opal
2500 mm	38 817 51
3000 mm	38 817 21
End cap (2 units per set)	25 567 01

Accessories

Double-sided adhesive tape, 16x0.5 mm	36 261 02
---------------------------------------	-----------

Assembly drawing



Channelline J

Product advantages

- ▶ Aluminium recessed profiles
- ▶ With opal cover

Features

- ▶ Profile for combination with one Versa light
- ▶ Very wide beam angle of approx. 180°

Application

- ▶ Furniture bases
- ▶ Furniture plinth
- ▶ Rear wall lighting on shelves

Technical details



Recommended for:

- Versa Linear 600



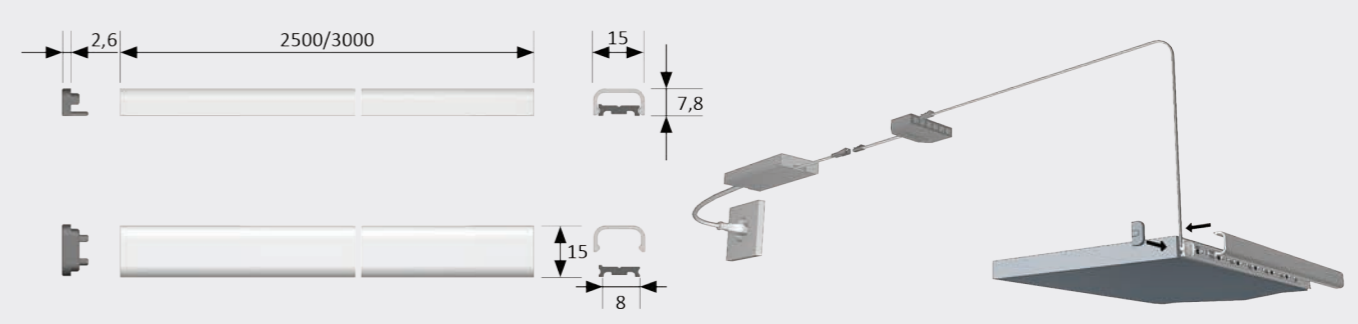
Channelline J

	Opal
2500 mm	55 715 51
3000 mm	55 715 12
End cap (2 units per set)	25 571 01

Accessories

Double-sided adhesive tape, 9x0.5 mm	36 261 01
--------------------------------------	-----------

Assembly drawing





Channelline C

Product advantages

- ▶ High quality flat recessed profile
- ▶ With filigree profile trim
- ▶ Cover can be attached from above or inserted from the side

Features

- ▶ Homogeneous light line from Versa Linear 600
- ▶ Wide beam angle of approx. 130°

Application

- ▶ Interior cabinet lighting in the floor
- ▶ Kitchen niche or top
- ▶ Shelves

Order information

- ▶ Use of feeders and connectors in the profile possible
- ▶ To increase the luminosity, two Versa Inside can be glued next to each other

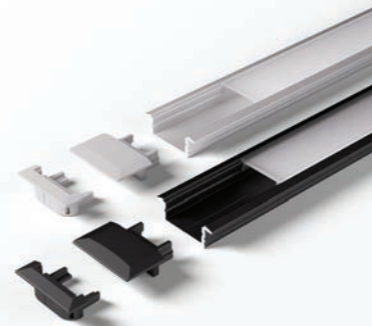
Channelline C

	Aluminium / Opal	Black / Opal
2500 mm	55 872 51	55 872 55
2500 mm (set of 10)	55 872 61	55 872 65
3000 mm	55 872 02	55 872 06
3000 mm (set of 10)	55 872 12	55 872 16
End cap type 1 (set of 2) lacquered	25 569 01	25 569 05
End cap type 2 (set of 2) lacquered	25 786 01	25 786 05

Accessories

	1 piece	10 piece
Channelline installation spring (set of 2)	25 536 01	-
Cover profile dark 2500 mm	25 787 97	25 787 61
Cover profile dark 3000 mm	25 787 99	25 787 62

Technical details

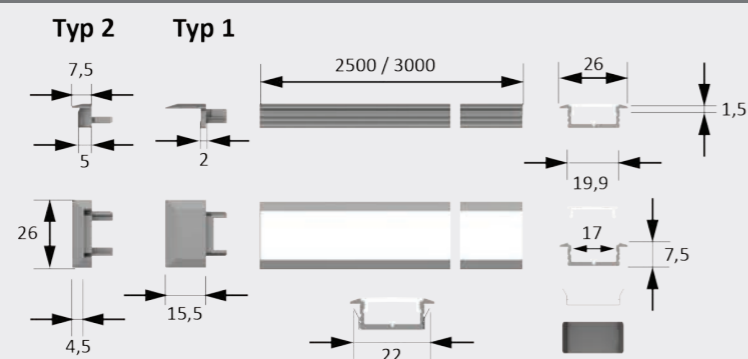


Recommended for:

- Versa Linear 600
- Versa Linear 1200
- Channelline Sensors
- Versa Linear MaxiColor



Assembly drawing



Channelline C2

Product advantages

- ▶ Cover can be attached from above or inserted from the side
- ▶ With filigree profile trim
- ▶ High quality deep recessed profile

Features

- ▶ Wide beam angle of approx. 65°
- ▶ Homogeneous light line with Versa Inside from 120 LED/m

Application

- ▶ Shelves
- ▶ Kitchen niche or top
- ▶ Interior cabinet lighting in the floor

Order information

- ▶ To increase the luminosity, two Versa Inside can be glued next to each other
- ▶ Corresponds to the former Channelline B

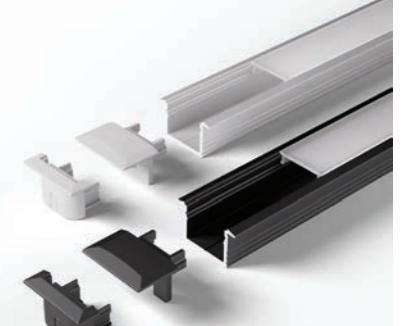
Channelline C2

	Aluminium / Opal	Black / Opal
2500 mm	55 871 51	55 871 55
2500 mm (set of 10)	55 871 61	55 871 65
3000 mm	55 871 02	55 871 06
3000 mm (set of 10)	55 871 12	55 871 16
End cap type 1 (set of 2) lacquered	25 568 01	25 568 05
End cap type 2 (set of 2) lacquered	25 785 01	25 785 05

Accessories

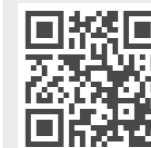
	1 piece	10 piece
Channelline installation spring (set of 2)	25 536 01	-
Cover profile dark 2500 mm	25 787 97	25 787 61
Cover profile dark 3000 mm	25 787 99	25 787 62

Technical details

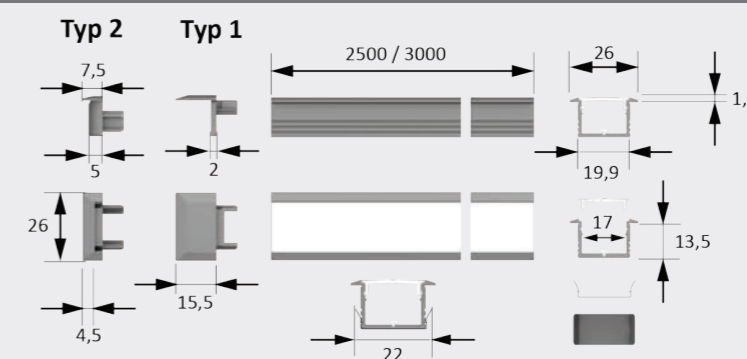


Recommended for:

- Versa Inside 600
- Versa Inside 1200
- Channelline sensors
- Versa Inside MaxiColor



Assembly drawing





Channelline D

Product advantages

- ▶ Cover can be attached from above or inserted from the side
- ▶ For flush mounting
- ▶ High-quality flat recessed/surface-mounted profile

Features

- ▶ Wide beam angle of approx. 100°
- ▶ Homogeneous light line with Versa Linear

Application

- ▶ Retrofitting in niches
- ▶ flush with the inside of the cabinet

Order information

- ▶ To increase the luminosity, two Versa Inside can be glued next to each other

Channelline D

	Aluminium / Opal	Black / Opal
2500 mm	55 873 51	55 873 55
2500 mm (set of 10)	55 873 61	55 873 65
3000 mm	55 873 02	55 873 06
3000 mm (set of 10)	55 873 12	55 873 16
End cap (set of 2) lacquered	25 570 01	25 570 05

Accessories

	1 piece	10 piece
Double-sided adhesive tape, 16x0.5 mm	36 261 02	-
Cover profile dark 2500 mm	25 787 97	25 787 61
Cover profile dark 3000 mm	25 787 99	25 787 62

Technical details

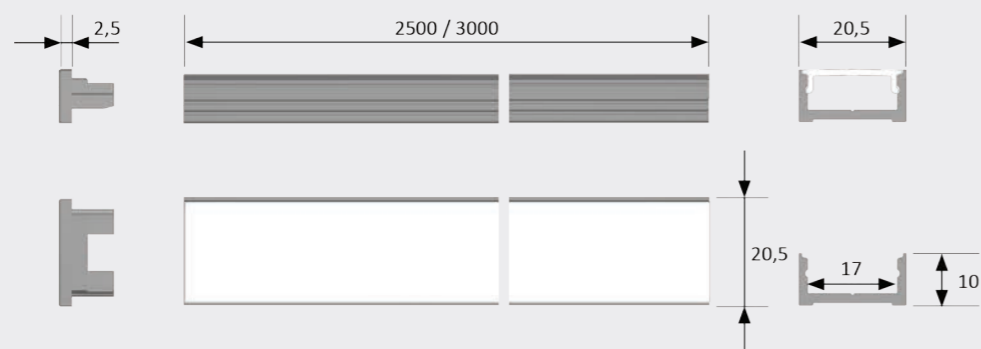


Recommended for:

- Versa Linear 600
- Versa Linear 1200
- Channelline sensors
- Versa Linear MaxiColor



Assembly drawing



Channelline D2

Product advantages

- ▶ High-quality deep recessed/surface-mounted profile
- ▶ For flush mounting
- ▶ Cover can be attached from above or inserted from the side

Features

- ▶ Homogeneous light line with Versa Inside from 120 LED/m with opal diffuser
- ▶ Wide beam angle of approx. 90°

Application

- ▶ Flush with top shelves
- ▶ Retrofitting in niches
- ▶ Mirror frame lighting

Order information

- ▶ Use of feeders and connectors in the profile possible
- ▶ To increase the luminosity, two Versa Inside can be glued next to each other

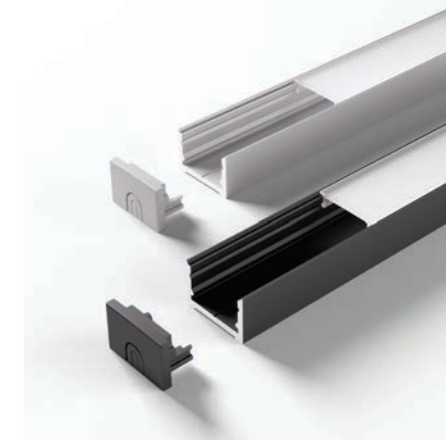
Channelline D2

	Aluminium / Opal	Black / Opal
2500 mm	55 870 51	55 870 55
2500 mm (set of 10)	55 870 61	55 870 65
3000 mm	55 870 02	55 870 22
3000 mm (set of 10)	55 870 06	55 870 26
End cap (set of 2) lacquered	25 774 01	25 774 05

Accessories

	1 piece	10 piece
Double-sided adhesive tape, 16x0.5 mm	36 261 02	-
Cover profile dark 2500 mm	25 787 97	25 787 61
Cover profile dark 3000 mm	25 787 99	25 787 62

Technical details

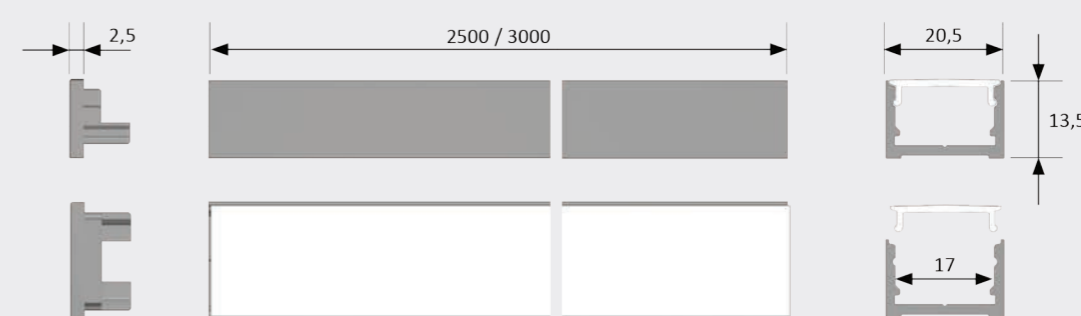


Recommended for:

- Versa Inside 600
- Versa Inside 1200
- Channelline sensors
- Versa Inside MaxiColor



Assembly drawing





ChannelLine sensor switch

Product advantages

- ▶ Switches and dims Versa lights at the touch of a button
- ▶ With built-in orientation LED

Features

- ▶ Direct installation in the ChannelLine profile

Application

- ▶ For ChannelLine C, C2, D and D2

Order information

- ▶ For single-colour Versa lights

Technical details



Recommended for:

- ChannelLine C
- ChannelLine C2
- ChannelLine D
- ChannelLine D2

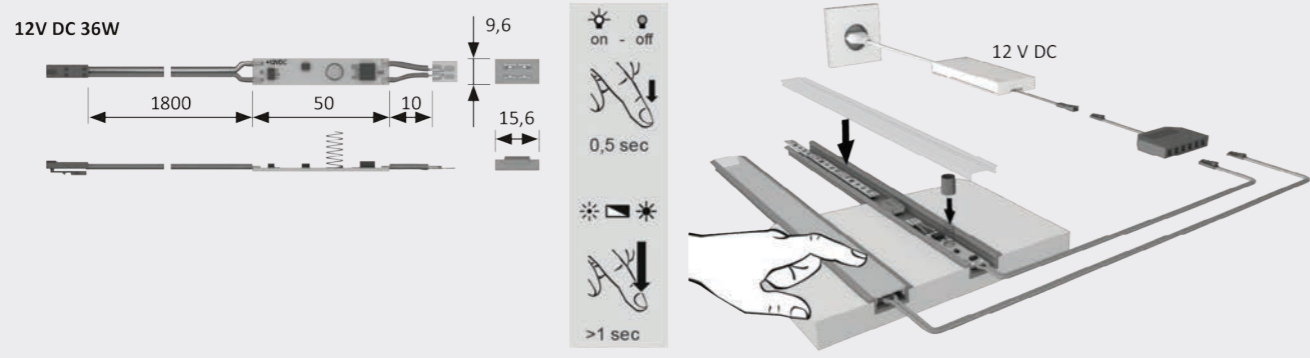


ChannelLine sensor switch

ChannelLine sensor 12 V DC

31 051 11

Assembly drawing



ChannelLine motion detector

Product advantages

- ▶ Motion sensor for insertion into the profile
- ▶ Responds to heat and movement

Features

- ▶ Direct installation in the ChannelLine profile
- ▶ Detection angle 120°
- ▶ Detection range 2 m
- ▶ Run-on time approx. 30 seconds

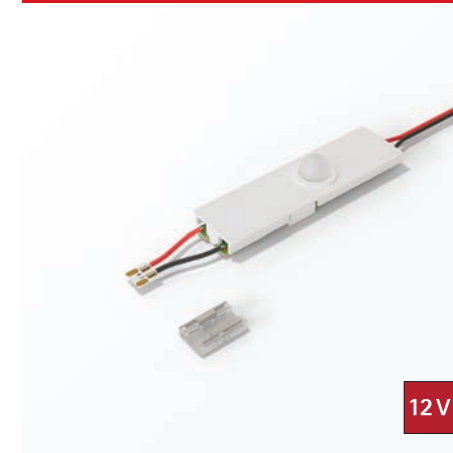
Application

- ▶ For ChannelLine C, C2, D and D2

Order information

- ▶ Also suitable for MultiWhite Versa

Technical details



12 V

Recommended for:

- ChannelLine C
- ChannelLine C2
- ChannelLine D
- ChannelLine D2

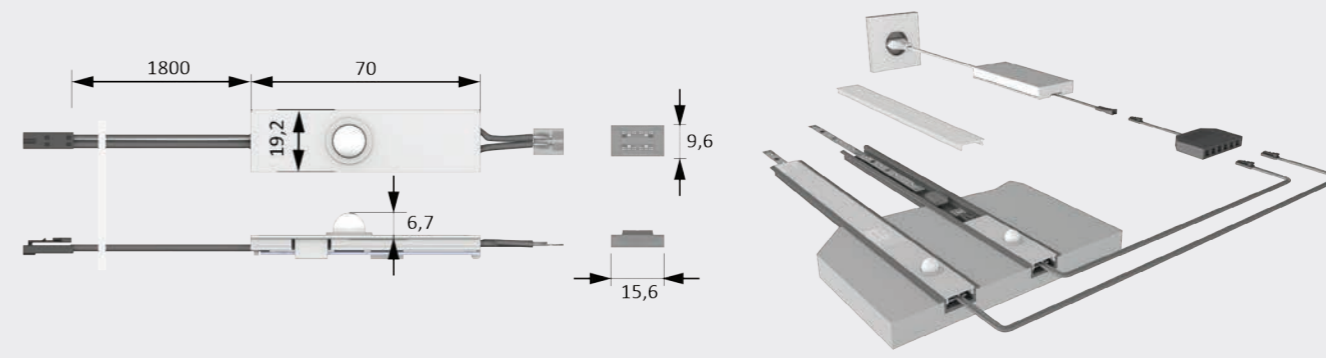


ChannelLine motion detector

ChannelLine sensor 12 V DC

30 170 11

Assembly drawing





Channelline U

Product advantages

- ▶ Cover can be attached from above or inserted from the side
- ▶ For flush mounting
- ▶ High-quality deep recessed/surface-mounted profile

Features

- ▶ Homogeneous light line with Versa Inside from 120 LED/m
- ▶ Beam angle of approx. 50°

Application

- ▶ Shelves
- ▶ kitchen niches and top floors
- ▶ Interior cabinet lighting in the floor

Order information

- ▶ Use of feeders and connectors in the profile possible

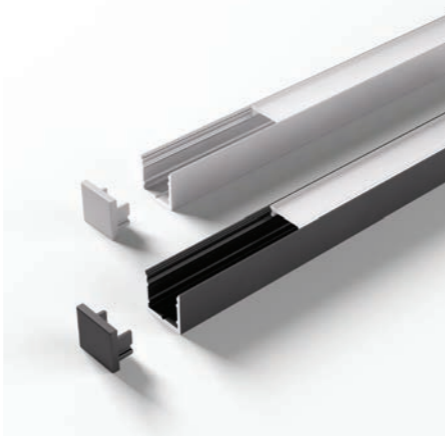
Channelline U

	Aluminium / Opal	Black / Opal
2500 mm	55 964 51	55 964 55
2500 mm (set of 10)	55 964 61	55 964 65
3000 mm	55 964 02	55 964 06
3000 mm (set of 10)	55 964 12	55 964 16
End cap (set of 2) lacquered	26 151 01	26 151 05

Accessories

Double-sided adhesive tape, 16x0.5 mm	36 261 02
Double-sided adhesive tape, 9x0.5 mm	36 261 01

Technical details

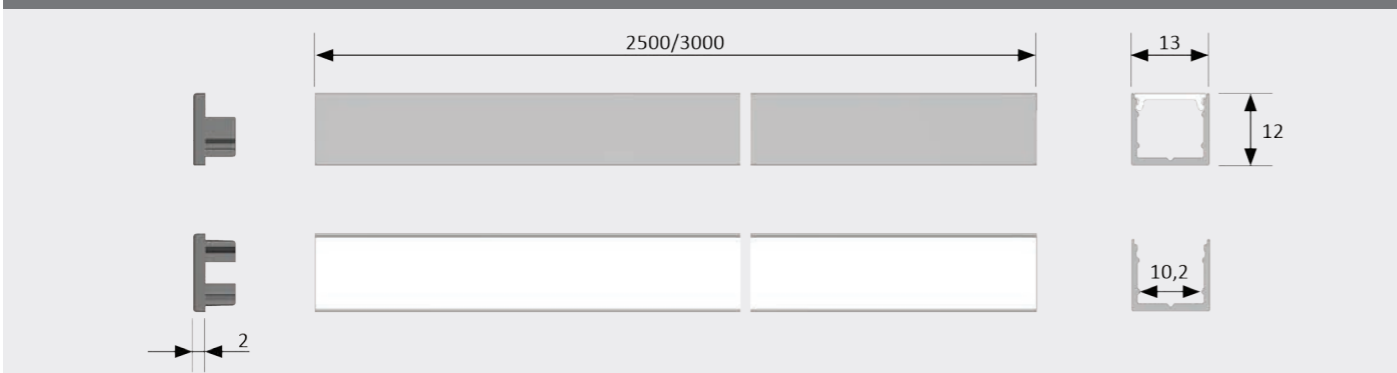


Recommended for:

- Versa Inside 600
- Versa Inside 1200
- Versa Inside MaxiColor



Assembly drawing



Channelline U2

Product advantages

- ▶ Cover can be attached from above or inserted from the side
- ▶ With filigree profile trim
- ▶ High-quality deep recessed/surface-mounted profile

Features

- ▶ Homogeneous light line with Versa Inside from 120 LED/m
- ▶ Beam angle of approx. 50°

Application

- ▶ Shelves
- ▶ kitchen niches and top floors
- ▶ Interior cabinet lighting in the floor

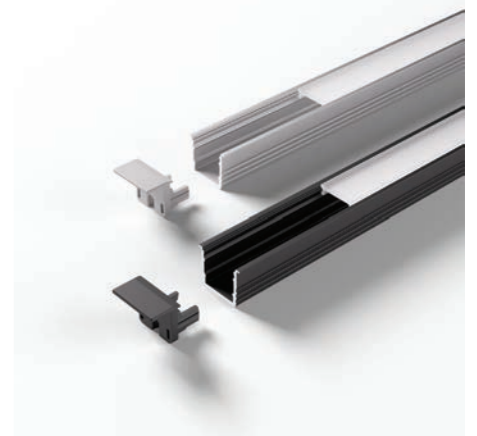
Order information

- ▶ Use of feeders and connectors in the profile possible

Channelline U2

	Aluminium / Opal	Black / Opal
2500 mm	55 965 51	55 965 55
2500 mm (set of 10)	55 965 61	55 965 65
3000 mm	55 965 02	55 965 06
3000 mm (set of 10)	55 965 12	55 965 16
End cap (set of 2) lacquered	26 155 01	26 155 05

Technical details

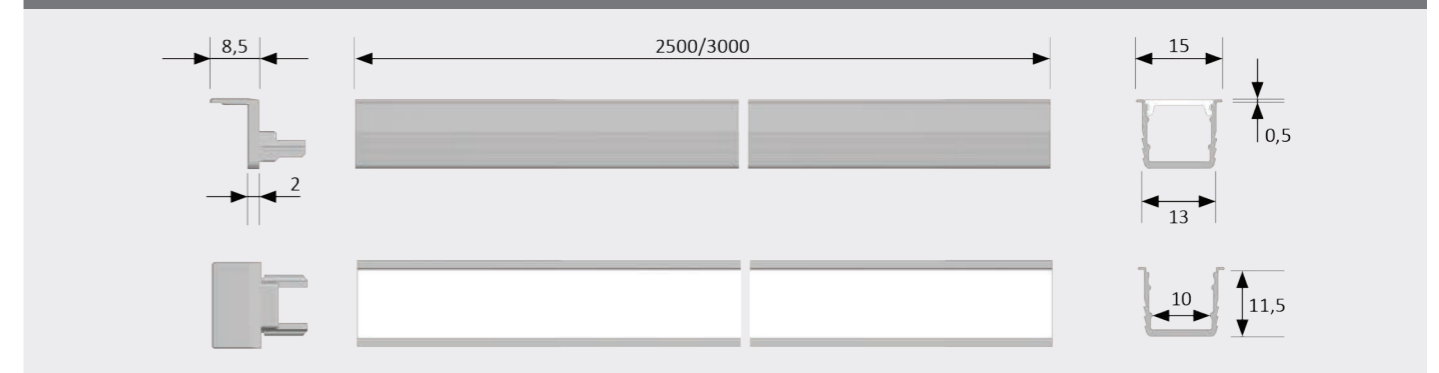


Recommended for:

- Versa Inside 600
- Versa Inside 1200
- Versa Inside MaxiColor



Assembly drawing





Channelline G

Product advantages

- ▶ Recessed/surface-mounted profile
- ▶ Glare-free and angled light emission
- ▶ For flush mounting

Features

- ▶ Opal cover - very little change in light colour and high break resistance
- ▶ Homogeneous light line with Versa Inside from 120 LED/m with opal diffuser
- ▶ Inclined beam angle of approx. 90°

Application

- ▶ Cabinet interior lighting
- ▶ Retrofitting in kitchen niches
- ▶ Product presentation on sales shelf

Order information

- ▶ Two Versa Inside can be installed - one radiates diagonally and one straight out of the profile

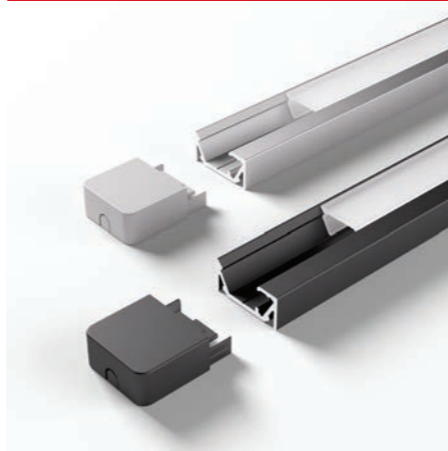
Channelline G

	Aluminium / Opal	Black / Opal
2500 mm	55 875 51	55 875 55
2500 mm (set of 10)	55 875 61	55 875 65
3000 mm	55 875 02	55 875 06
3000 mm (set of 10)	55 875 12	55 875 16
End cap (set of 2) lacquered	25 554 01	25 554 05

Accessories

Double-sided adhesive tape, 16x0.5 mm	36 261 02
Cover profile dark 2000 mm	25 791 98
Cover profile dark 3000 mm	25 791 99

Technical details

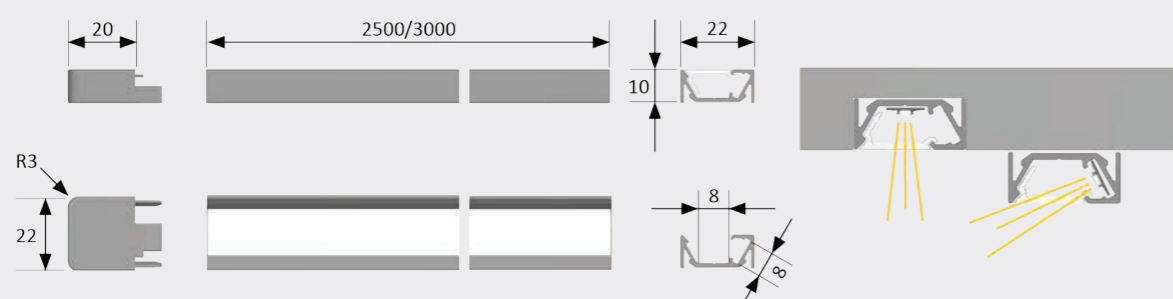


Recommended for:

- Versa Linear 600
- Versa Linear 1200



Assembly drawing



Channelline G2

Product advantages

- ▶ Recessed/surface-mounted profile
- ▶ Glare-free and angled light emission
- ▶ With filigree profile trim

Features

- ▶ Opal cover - very little change in light colour and high break resistance
- ▶ Homogeneous light line with Versa from 120 LED/m
- ▶ Inclined beam angle of approx. 90°

Application

- ▶ Cabinet interior lighting
- ▶ Kitchen midway sections
- ▶ Product presentation on sales shelf

Order information

- ▶ Two Versa Inside can be installed - one radiates diagonally and one straight out of the profile

Channelline G2

	Aluminium / Opal	Black / Opal
2500 mm	55 876 51	55 876 55
2500 mm (set of 10)	55 876 61	55 876 65
3000 mm	55 876 02	55 876 06
3000 mm (set of 10)	55 876 12	55 876 16
End cap (set of 2) lacquered	25 556 01	25 556 05

Accessories

Installation spring (2 units per set)	25 607 01
Cover profile dark 2000 mm	25 791 98
Cover profile dark 3000 mm	25 791 99

Technical details

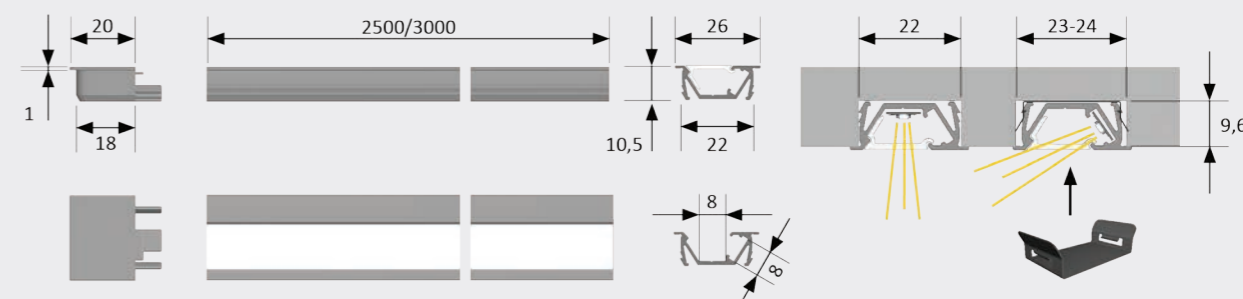


Recommended for:

- Versa Linear 600
- Versa Linear 1200



Assembly drawing





HandleLine Profile

Product advantages

- ▶ High quality recessed profile
- ▶ Can be individually cut to length
- ▶ Handle bar and niche lighting combined in one profile

Features

- ▶ Fits perfectly on 19 mm floors and walls
- ▶ Different Versa can be used for worktop and cabinet interior lighting
- ▶ with harpoon bridge

Application

- ▶ Handleless fronts in the kitchen
- ▶ Wall cabinet with door

Order information

- ▶ Light emission surface is as with ChannelLine i
- ▶ "Top" and "bottom" can be used with different brightness levels if required.

HandleLine Profile

	Black / Opal
2500 mm	55 969 55

Accessories

Versa Linear 600 12VDC nw 1200 mm	56 038 02
Versa Linear 600 12VDC ww 1200 mm	56 038 12
Versa Linear 1200 12VDC nw 1200 mm	56 039 02
Versa Linear 1200 12VDC ww 1200 mm	56 039 12
Ballast 30 W with Euro flat plug (1-way + 6-way distributor)	31 002 07
M1 extension lead 1800 mm	36 768 01

Technical details

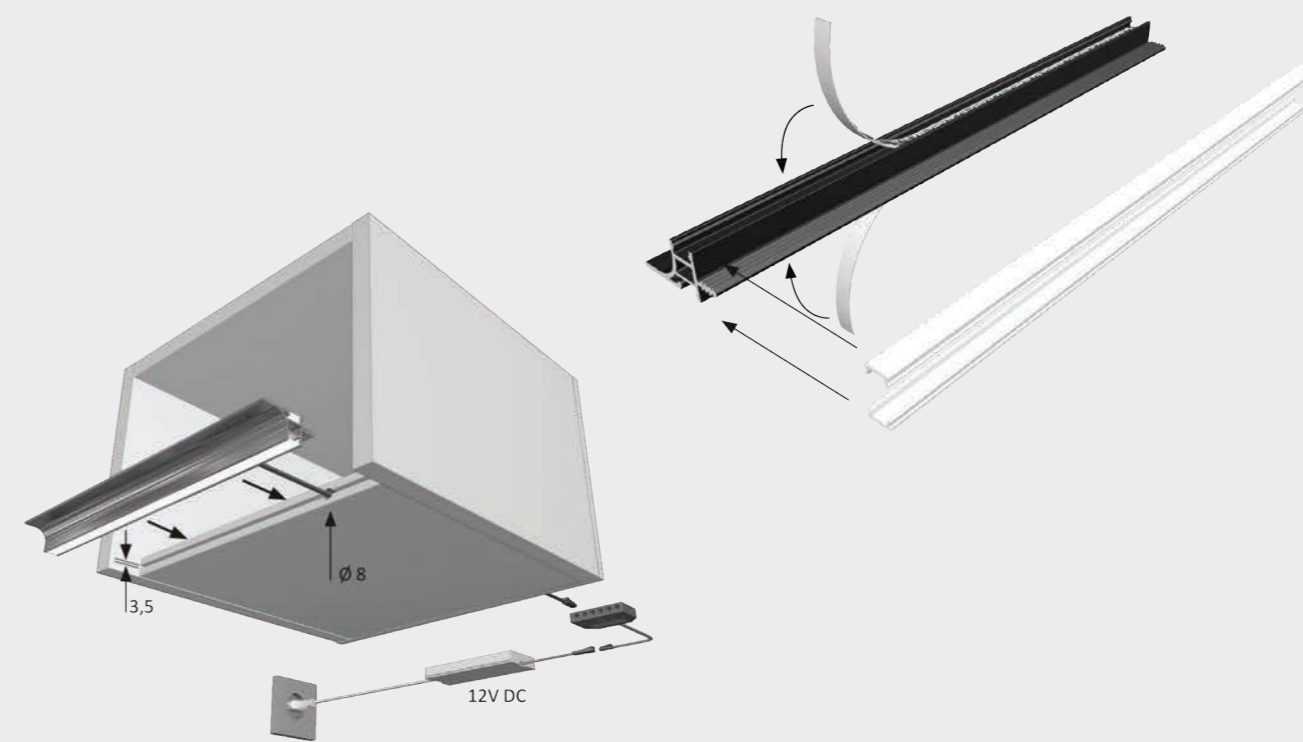


Recommended for:

Versa Inside 600
Versa Inside 1200

Assembly drawing

Can be shortened individually





Channelline H

Product advantages

- ▶ Surface-mounted profile for corner
- ▶ Almost rimless illuminated surface
- ▶ Round cover for wide light emission
- ▶ Can be screwed on both sides

Features

- ▶ Homogeneous light line with Versa Inside from 120 LED/m
- ▶ Very wide beam angle of approx. 90°

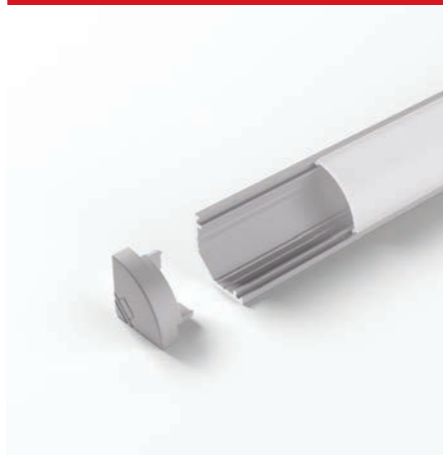
Application

- ▶ Furniture corners
- ▶ Kitchen midway sections

Order information

- ▶ Use of feeders and connectors in the profile possible
- ▶ To increase the luminosity, two Versa Inside can be glued next to each other

Technical details



Recommended for:

- Versa Inside 600
- Versa Inside 1200



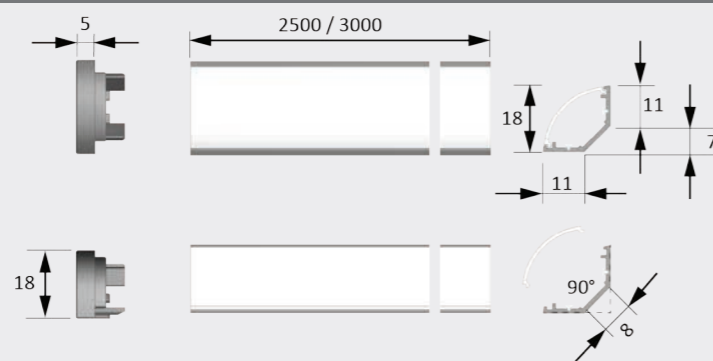
Channelline H

	Aluminium / Opal
2500 mm	55 706 51
2500 mm (set of 10)	55 706 61
3000 mm	55 706 02
3000 mm (set of 10)	55 706 04
End cap (set of 2) lacquered	25 559 01

Accessories

Double-sided adhesive tape, 9x0.5 mm	36 261 01
--------------------------------------	-----------

Assembly drawing



Channelline K2

Product advantages

- ▶ Ideal for bright applications
- ▶ Cover can be attached from above or inserted from the side
- ▶ With filigree profile trim

Features

- ▶ No visible LED dots
- ▶ Ideal for use in the kitchen
- ▶ Beam angle of approx. 70°

Application

- ▶ Niches
- ▶ Shelves
- ▶ Top floors

Order information

- ▶ Side cable outlet (see illustration) must be manufactured by the customer

Technical details



Recommended for:

- Versa Inside 1200



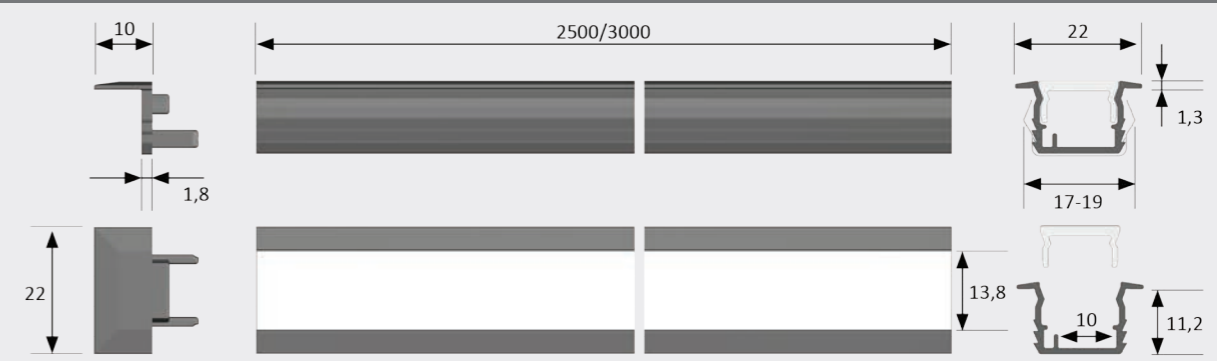
Channelline K2

	EDS / Opal	Black / Opal
2500 mm	55 764 51	55 764 55
2500 mm (set of 10)	55 764 61	55 764 65
3000 mm	55 764 02	55 764 06
3000 mm (set of 10)	55 764 12	55 764 16
End cap (set of 2) lacquered	25 749 21	25 749 25

Accessories

Installation spring (2 units per set)	25 242 11
---------------------------------------	-----------

Assembly drawing





Channelline i

Product advantages

- ▶ High-quality recessed/surface-mounted profile
- ▶ Almost rimless illuminated surface
- ▶ For flush mounting
- ▶ Filigree profile for thin materials

Features

- ▶ Very wide beam angle of approx. 100°

Application

- ▶ Flush with cabinet sides or shelves
- ▶ Retrofitting in niches

Technical details



Recommended for:

- Versa Linear 600
- Versa Linear 1200



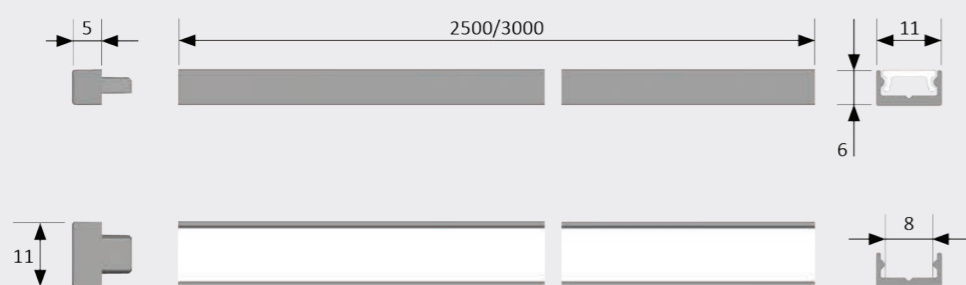
Channelline i

	Aluminium / Opal	Black / Opal
2500 mm	55 874 51	55 874 55
2500 mm (set of 10)	55 874 61	55 874 65
3000 mm	55 874 02	55 874 06
3000 mm (set of 10)	55 874 12	55 874 16
End cap (set of 2) lacquered	25 563 01	25 563 05

Accessories

	1 piece	10 piece
Double-sided adhesive tape, 9x0.5 mm	36 261 01	-
Cover profile dark 2000 mm	25 850 02	25 850 60
Cover profile dark 3000 mm	25 850 03	25 850 62

Assembly drawing



Channelline i2

Product advantages

- ▶ High quality recessed profile
- ▶ With filigree profile trim
- ▶ Glare-free and concentrated light emission

Features

- ▶ Homogeneous light line with Versa Inside from 160 LED/m with opal diffuser
- ▶ Narrow beam angle of approx. 35°

Application

- ▶ Accent lighting in display cabinets or shelves
- ▶ Stair steps

Technical details



Recommended for:

- Versa Linear 600
- Versa Linear 1200
- Versa Inside 1200



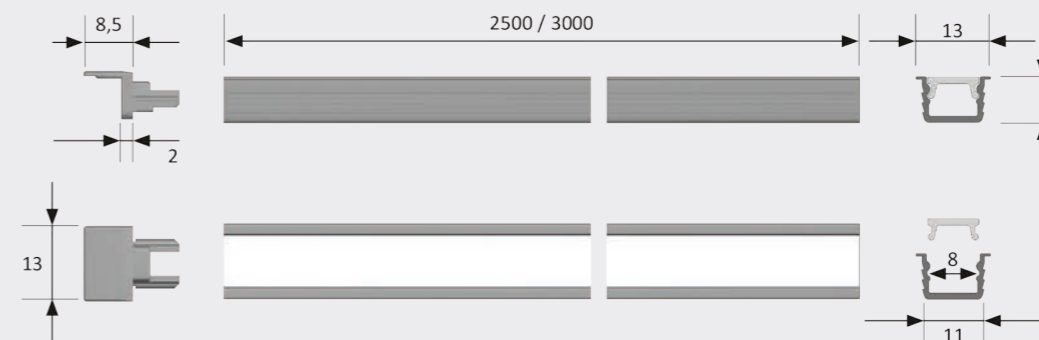
Channelline i2

	Aluminium / Opal	Black / Opal
2500 mm	55 887 51	55 887 55
2500 mm (set of 10)	55 887 65	55 887 61
3000 mm	55 887 02	55 887 06
3000 mm (set of 10)	55 887 12	55 887 16
End cap (set of 2) lacquered	25 799 01	25 799 05

Accessories

	1 piece	10 piece
Cover profile dark 2000 mm	25 850 02	25 850 60
Cover profile dark 3000 mm	25 850 03	25 850 62

Assembly drawing





ChannelLine i3

Product advantages

- ▶ High quality deep recessed profile
- ▶ Almost rimless illuminated surface
- ▶ Glare-free and concentrated light emission
- ▶ For flush mounting

Application

- ▶ Accent lighting in display cabinets or shelves
- ▶ Flush with storage surfaces on the wall

Features

- ▶ Homogeneous light line with Versa Inside from 120 LED/m
- ▶ Narrow beam angle of approx. 35°

ChannelLine i3

	Aluminium / Opal
2500 mm	55 608 51
2500 mm (set of 10)	55 608 61
3000 mm	55 608 02
3000 mm (set of 10)	55 608 12
End cap (set of 2) lacquered	25 985 01

Accessories

	1 piece	10 piece
Double-sided adhesive tape, 9x0.5 mm	36 261 01	-
Cover profile dark 2000 mm	25 850 02	25 850 60
Cover profile dark 3000 mm	25 850 03	25 850 62

Technical details

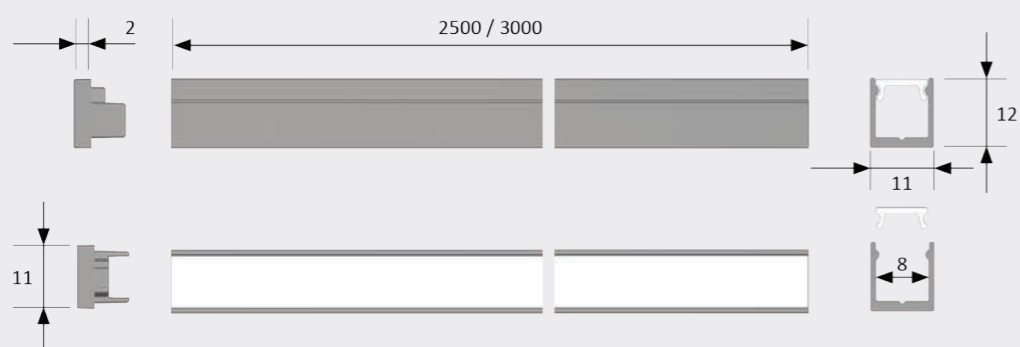


Recommended for:

- Versa Inside 600
- Versa Inside 1200



Assembly drawing



ChannelLine F

Product advantages

- ▶ Versatile
- ▶ Entry-level price

Application

- ▶ For milling into the wood

Features

- ▶ Beam angle and homogeneity can be varied with the milling depth

Order information

- ▶ Use of feeders and connectors in the profile possible

ChannelLine F

	Opal
2500 mm	55 664 51
3000 mm	55 664 02
3000 mm (set of 10)	55 641 13

Technical details

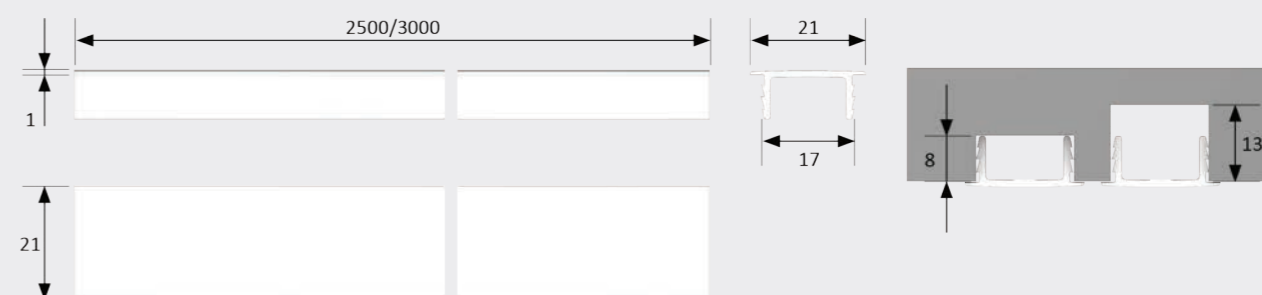


Recommended for:

- Versa Inside 600
- Versa Inside 1200



Assembly drawing





Channelline S

Product advantages

- ▶ For flush mounting
- ▶ Glare-free light emission
- ▶ Recessed/surface-mounted profile

Features

- ▶ Angled beam angle of approx. 90°
- ▶ Ideal for use with Versa Linear

Application

- ▶ Cabinet interior lighting

Technical details



Recommended for:

- Versa Linear 600
- Versa Linear 1200



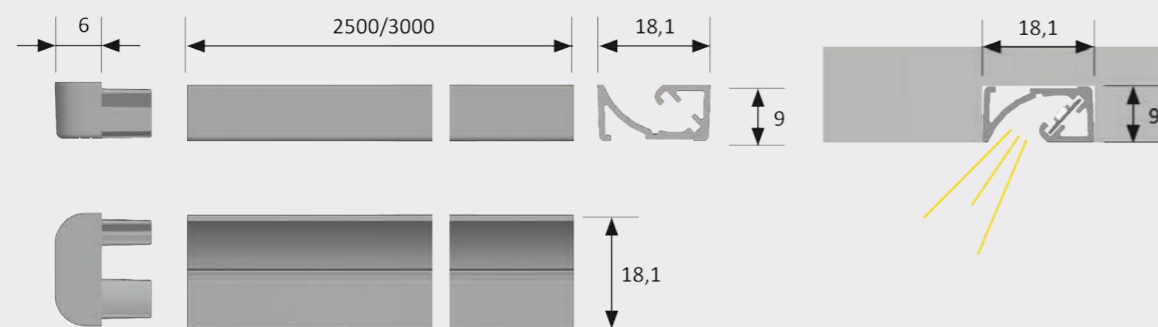
Channelline S

	Aluminium / Opal	Black / Opal
2500 mm	55 966 51	55 966 55
2500 mm (set of 10)	55 966 61	55 966 65
3000 mm	55 966 02	55 966 06
3000 mm (set of 10)	55 966 12	55 966 16
End cap (set of 2) lacquered	26 157 01	26 157 05

Accessories

Double-sided adhesive tape, 16x0.5 mm	36 261 02
---------------------------------------	-----------

Assembly drawing



Channelline S2

Product advantages

- ▶ With filigree profile trim
- ▶ Glare-free and angled light emission
- ▶ Installation profile

Features

- ▶ Angled beam angle of approx. 90°
- ▶ Ideal for use with Versa Linear

Application

- ▶ Cabinet interior lighting

Technical details



Recommended for:

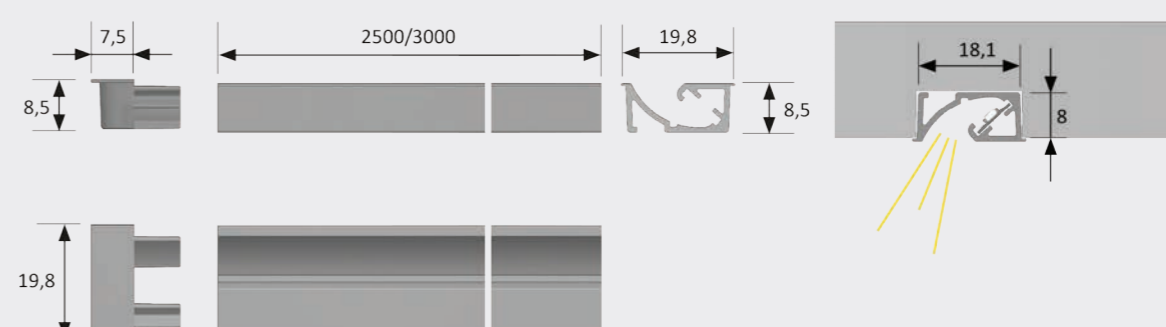
- Versa Linear 600
- Versa Linear 1200



Channelline S2

	Aluminium / Opal	Black / Opal
2500 mm	55 967 51	55 967 55
2500 mm (set of 10)	55 967 61	55 967 65
3000 mm	55 967 02	55 967 06
3000 mm (set of 10)	55 967 12	55 967 16
End cap (set of 2) lacquered	26 161 01	26 161 05

Assembly drawing





Channelline T1

Product advantages

- ▶ With filigree profile trim
- ▶ Glare-free light emission
- ▶ Installation profile

Features

- ▶ No visible LED dots
- ▶ Ideal for use in the kitchen
- ▶ Beam angle of approx. 60°

Application

- ▶ e.g. for lateral illumination in the niche

Channelline T1

	Opal
2500 mm	25 880 97
3000 mm	25 880 99
End cap (2 units per set)	25 881 11

Technical details

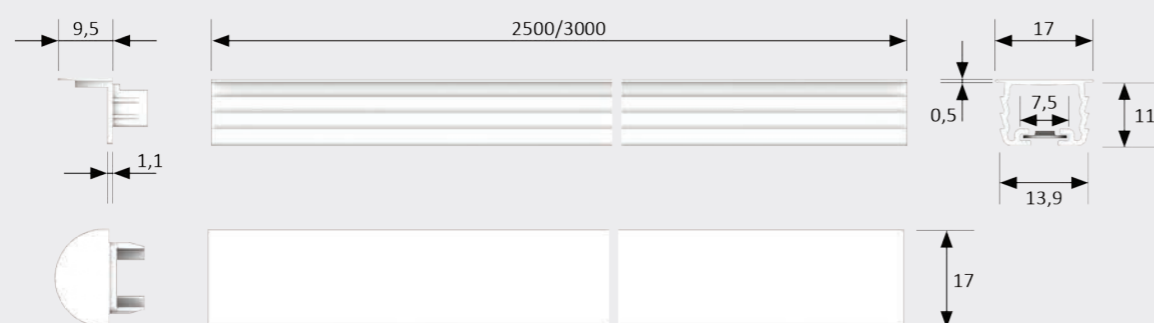


Recommended for:

- Versa Inside 600
- Versa Inside 1200



Assembly drawing



Channelline T2

Product advantages

- ▶ With filigree profile trim
- ▶ Glare-free light emission
- ▶ Installation profile

Features

- ▶ No visible LED dots
- ▶ Ideal for use in the kitchen
- ▶ Beam angle of approx. 60°

Application

- ▶ e.g. for lateral illumination in the niche

Channelline T2

	Opal
2500 mm	25 997 97
3000 mm	25 997 99
End cap (2 units per set)	26 129 11

Technical details

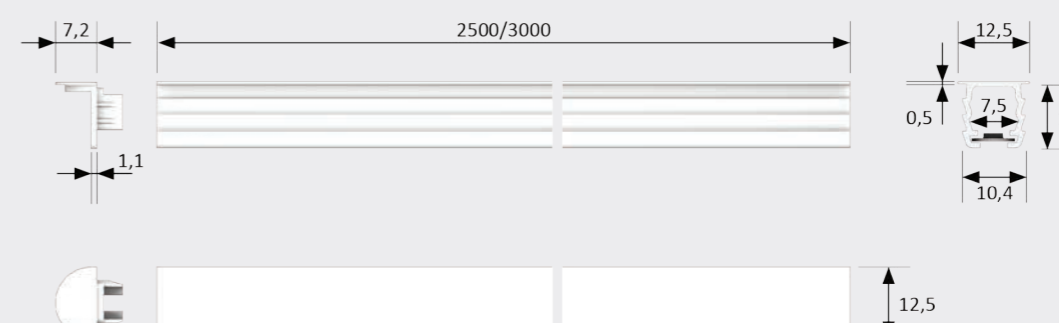


Recommended for:

- Versa Inside 600
- Versa Inside 1200



Assembly drawing





Versa retaining profile

Product advantages

- ▶ Holding profile for Versa lights
- ▶ Holds by screwing even on oiled surfaces
- ▶ Side glare protection

Features

- ▶ Versa is inserted sideways
- ▶ Pre-drilled every 220 mm

Application

- ▶ Base lighting
- ▶ Shadow gap lighting

Versa retaining profile

2500 mm	25 888 97
2500 mm (set of 10)	55 642 05

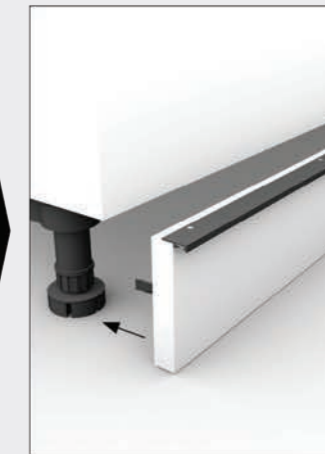
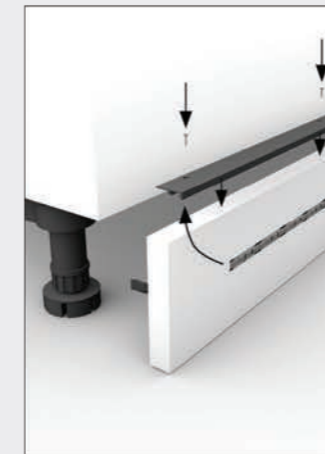
Technical details



Recommended for:

- Versa Inside 600
- Versa Inside 1200
- Versa Linear 600
- Versa Linear 1200

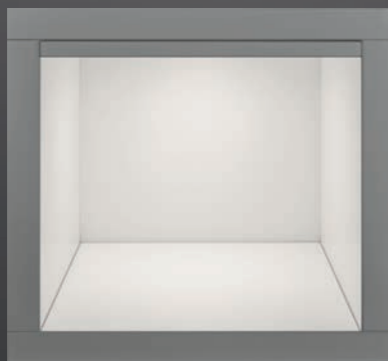
Assembly drawing





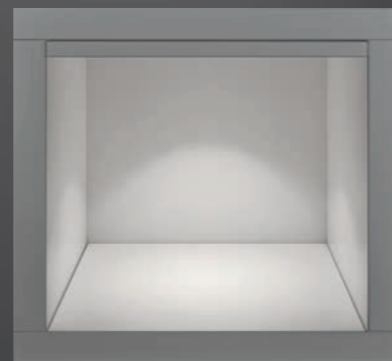
Wide beam LitePanel 68

The LitePanel 68 produces bright light – into the furthest corners of the furniture.



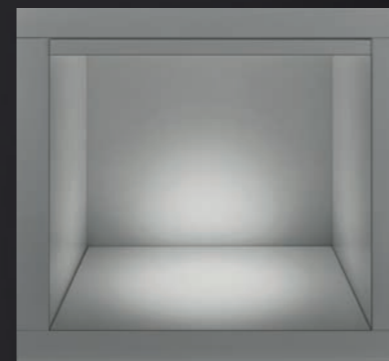
ConeLite 78 like halogen

The light of the ConeLite 78 creates an aesthetic shadow on the back wall of the furniture.



Spotted with MiniSpot

The MiniSpot sets decorations perfectly in scene, with an ideal interplay of light and shadow.



Spotlights

Outwardly small, but big in luminosity

Our spotlights are small in size but big in performance: in relation to their size, they impress with excellent light output.

Built into ceilings or furniture, they shine with accentuated, focused or pointed light.



CircleLite 78

Product advantages

- ▶ Low installation depth
- ▶ Modern furniture light
- ▶ Option for installation of switches, etc. in the centre of the spot

Features

- ▶ High light output in relation to size
- ▶ Recessed light for 78 mm installation diameter, groove width 9.5 mm

Application

- ▶ Shelves
- ▶ Display cabinets
- ▶ Kitchen midway sections

Order information

- ▶ MultiWhite control for setting the colour required
- ▶ When a MultiWhite luminaire is connected directly to a ballast, the light colour is XtraWarmWhite; when using the adapter, the light colour is cool white.

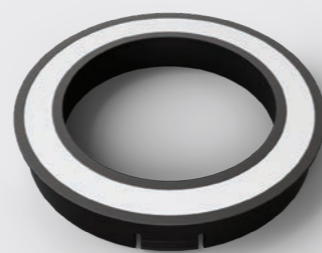
CircleLite 78

	MultiWhite	XtraWarm
Black	32 355 35	32 355 35
Stainless steel look	32 355 39	32 355 39

Accessories

Surface mounting housing CircleLite 78 eds	36 480 09
Surface-mounted housing CircleLite 78 sw	36 480 05
Ballast 20 W with Euro flat plug (6-way distributor)	31 016 01
M1 3-way distributor 180 mm	36 852 01
M1 6-way distributor 2000 mm	36 125 01
M1 extension lead 1800 mm	36 768 01
MultiWhite colour change adapter XW/CW	39 304 40

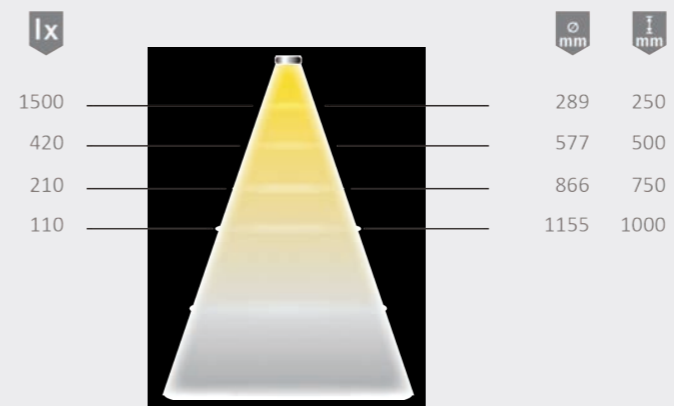
Technical details



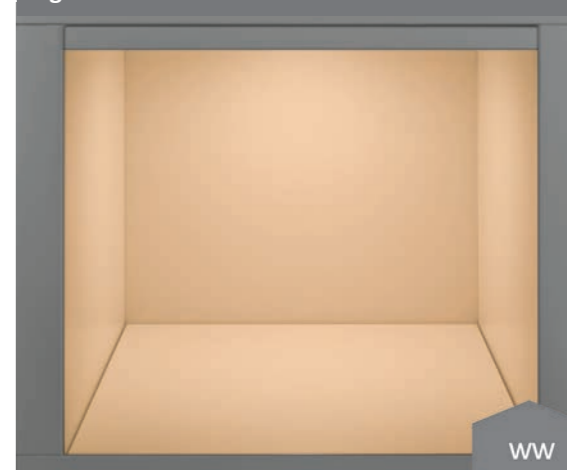
12 V

Luminaire type:	Recessed/ surface-mounted light
Type of lighting:	Functional lighting
Surface finish:	Black/ Stainless steel look
Operating voltage:	12 Volt DC
Light colour:	XtraWarm/ MultiWhite
Colour rendering:	> 80 Ra
Luminous flux:	250 lm
Luminaire efficiency:	83 lm/W
Light source efficiency:	140 lm/W
Life span:	40,000 h (L80/B10)
Power consumption:	max. 3W
Dimmable:	PWM
Beam angle:	90°
Half value angle:	60°
Test marks and symbols:	CE
Protection rating:	IP 20
Installed diameter:	78 mm
Supply lead:	1800 mm
Plug connector:	Mini connector M1

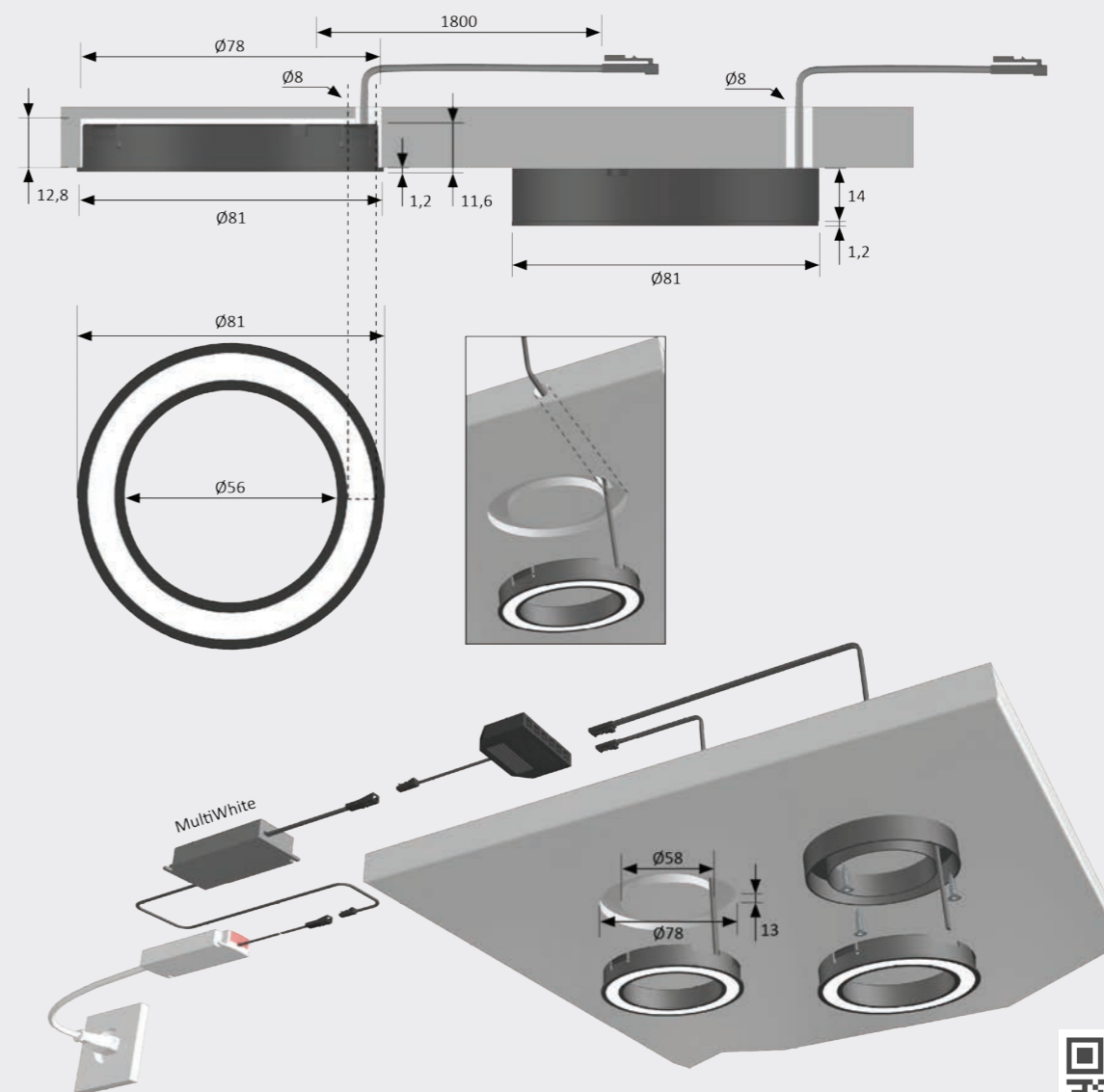
Light distribution diagram 60° - measured in a black room



Light box

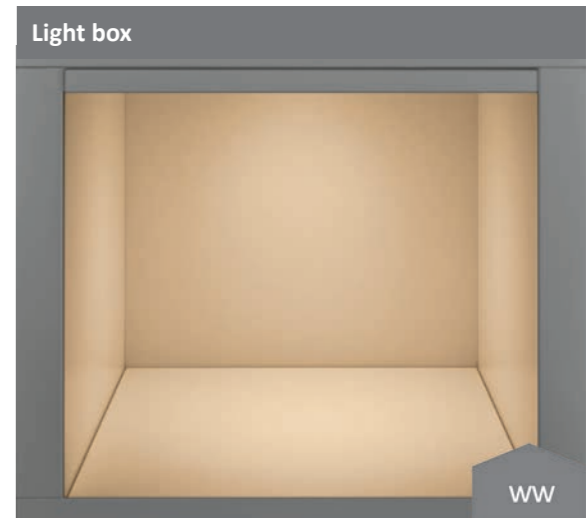
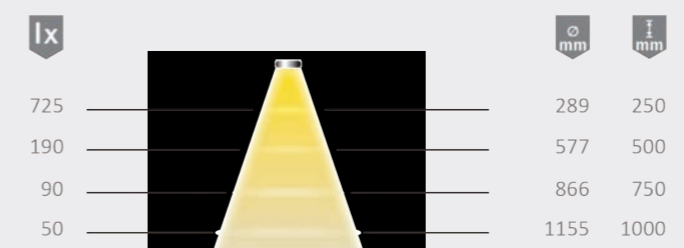


Assembly drawing





Light distribution diagram 60° - measured in a black room



IrisLite 68

- Product advantages**
- ▶ Can be switched and dimmed via the control light
 - ▶ IrisLite can also be used individually with all controls

- Features**
- ▶ Recessed light with 68 mm installed diameter
 - ▶ Optionally with integrated warm/cold control

- Application**
- ▶ Kitchen midway sections
 - ▶ Display cabinets
 - ▶ Shelves
 - ▶ Ideal for retrofitting
- Order information**
- ▶ One IrisLite Control can control up to 12 additional IrisLite
 - ▶ Distributors must be ordered separately

Technical details



12 V

IrisLite 68

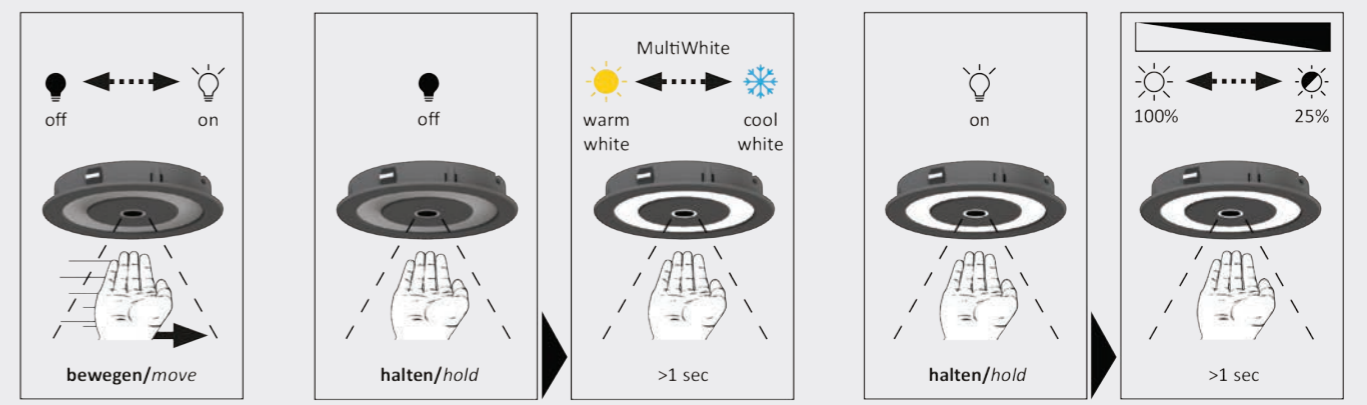
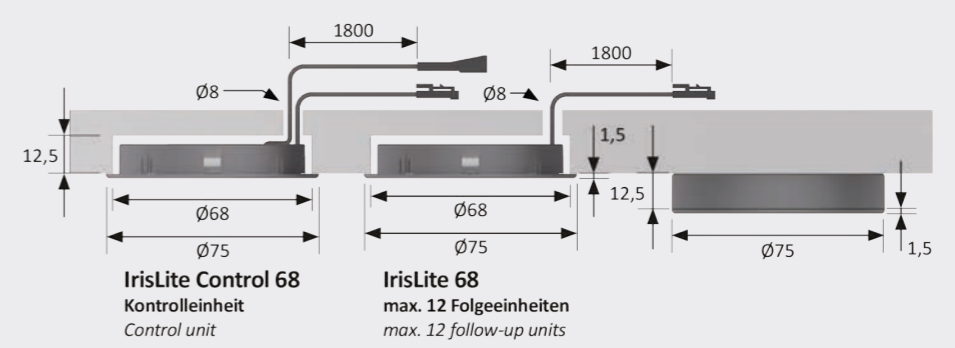
	MultiWhite	XtraWarm	WarmWhite
Black, control light	32 356 35	32 356 35	32 356 15
Black, standard light	32 357 35	32 357 35	32 357 15

Accessories

Mounting housing IrisLite 68 sw	36 481 05
Ballast 20 W with Euro flat plug (6-way distributor)	31 016 01
M1 3-way distributor 180 mm	36 852 01
M1 6-way distributor 2000 mm	36 125 01
M1 extension lead 1800 mm	36 768 01

- Luminaire type:** Recessed / surface-mounted light
- Type of lighting:** Functional / accent lighting
- Surface finish:** Black
- Operating voltage:** 12 Volt DC
- Light colour:** WarmWhite / XtraWarm / MultiWhite
- Colour rendering:** > 80 Ra
- Luminous flux:** 100 lm
- Life span:** 40,000 h (L80/B10)
- Power consumption:** max. 2.7 W
- Dimmable:** No / PWM
- Half value angle:** 60°
- Test marks and symbols:** CE
- Protection rating:** IP 20
- Installed diameter:** 68 mm
- Supply lead:** 1800 mm
- Plug connector:** Mini connector M1

Assembly drawing





AddLite

Product advantages

- ▶ High-quality aluminium profile light
- ▶ Integrated cable routing

Features

- ▶ Wide beam without shadows
- ▶ Can be retrofitted

Application

- ▶ Shelves
- ▶ Niches
- ▶ Showcases

AddLite

	NeutralWhite
Aluminium	34 246 01
Black	34 246 05

Accessories

Ballast 20 W with Euro flat plug (6-way distributor)	31 016 01
M1 3-way distributor 180 mm	36 852 01
M1 6-way distributor 2000 mm	36 125 01
M1 extension lead 1800 mm	36 768 01

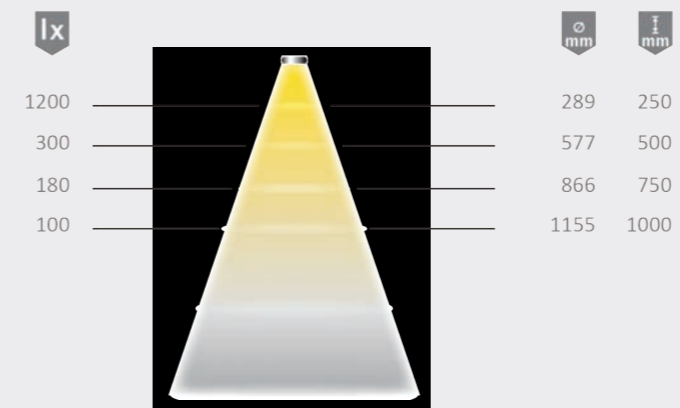
Technical details



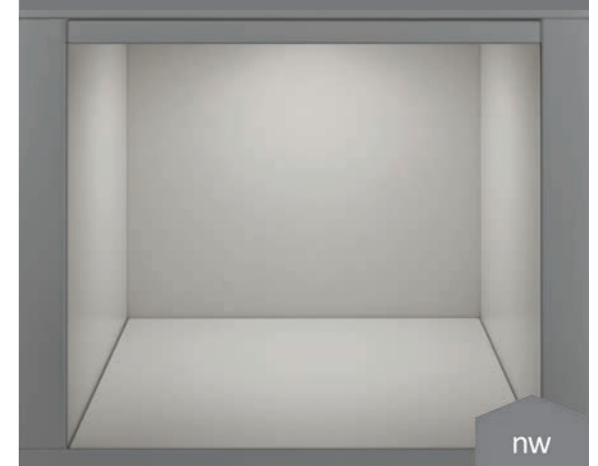
12 V

Luminaire type:	Surface mounted light
Type of lighting:	Functional lighting
Surface finish:	Aluminium/ Black
Operating voltage:	12 Volt DC
Light colour:	NeutralWhite
Colour rendering:	> 80 Ra
Luminous flux:	170 lm
Luminaire efficiency:	70 lm/W
Light source efficiency:	90 lm/W
Life span:	40,000 h (L80/B10)
Power consumption:	max. 2.4 W
Dimmable:	PWM
Beam angle:	90°
Half value angle:	60°
Test marks and symbols:	CE
Protection rating:	IP 20
Supply lead:	1800 mm
Plug connector:	Mini connector M1

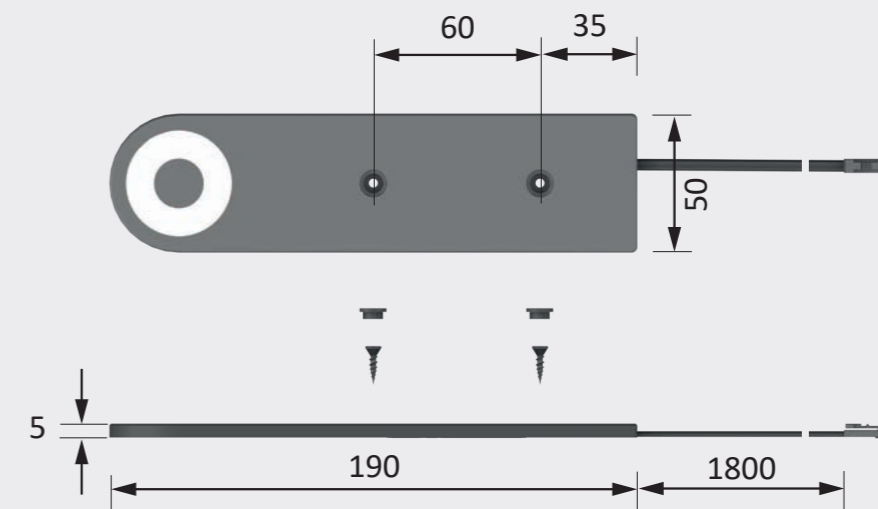
Light distribution diagram 60° - measured in a black room



Light box



Assembly drawing





LitePanel 68

Product advantages

- ▶ 100 % homogeneous luminous surface
- ▶ Low installation depth
- ▶ Modern lamp in a timeless design

Features

- ▶ Wide beam without shadows
- ▶ Recessed light with 68 mm installed diameter
- ▶ High light output in relation to size

Application

- ▶ Shelves
- ▶ Display cabinets
- ▶ Kitchen midway sections

Order information

- ▶ MultiWhite control for setting the colour required
- ▶ When a MultiWhite luminaire is connected directly to a ballast, the light colour is XtraWarmWhite; when using the adapter, the light colour is cool white.

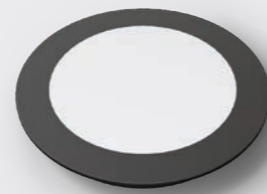
LitePanel 68

	MultiWhite	XtraWarm	WarmWhite	NeutralWhite
Stainless steel look	32 348 39	32 348 39	32 358 19	32 348 09
Black	32 348 35	32 348 35	32 348 15	32 348 05

Accessories

LitePanel 68 eds surface-mounted housing	36 790 19
Mounting housing LitePanel 68 sw	36 790 15
Decorative stickers Chrome Glossy (set of 6)	26 074 04
Decorative stickers Gold Chrome (set of 6)	26 074 06
Decorative stickers Gold Metallic (set of 6)	26 074 02
Decorative stickers Brushed Copper (set of 6)	26 074 01
Decorative stickers Silver Chome (set of 6)	26 074 05
Decorative stickers White Glossy (set of 6)	26 074 03
Ballast 20 W with Euro flat plug (6-way distributor)	31 016 01
M1 3-way distributor 180 mm	36 852 01
M1 6-way distributor 2000 mm	36 125 01
M1 extension lead 1800 mm	36 768 01
MultiWhite colour change adapter XW/CW	39 304 40

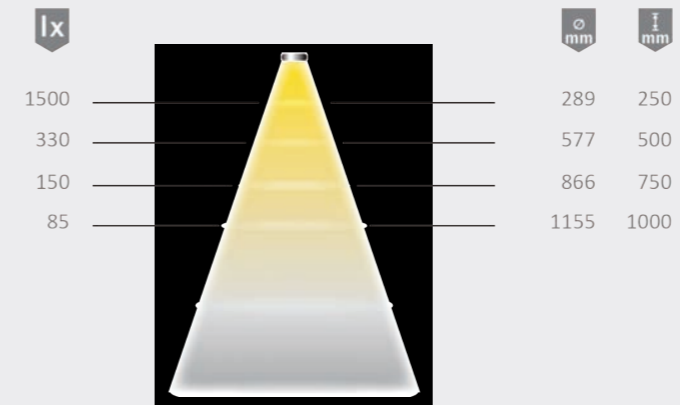
Technical details



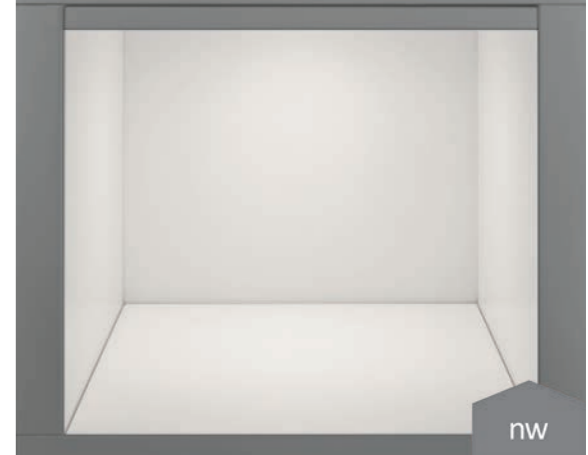
12 V

Luminaire type:	Recessed/ surface-mounted light
Type of lighting:	Functional/ accent lighting
Surface finish:	Black/ Stainless steel look
Operating voltage:	12 Volt DC
Light colour:	NeutralWhite/ WarmWhite/ XtraWarm/ MultiWhite
Colour rendering:	> 80 Ra
Luminous flux:	290 lm
Luminaire efficiency:	67 lm/W
Light source efficiency:	84 lm/W
Life span:	40,000 h (L80/B10)
Power consumption:	max. 4.3 W
Dimmable:	PWM
Beam angle:	90°
Half value angle:	60°
Test marks and symbols:	CE
Protection rating:	IP 20
Installed diameter:	68 mm
Supply lead:	1800 mm
Plug connector:	Mini connector M1

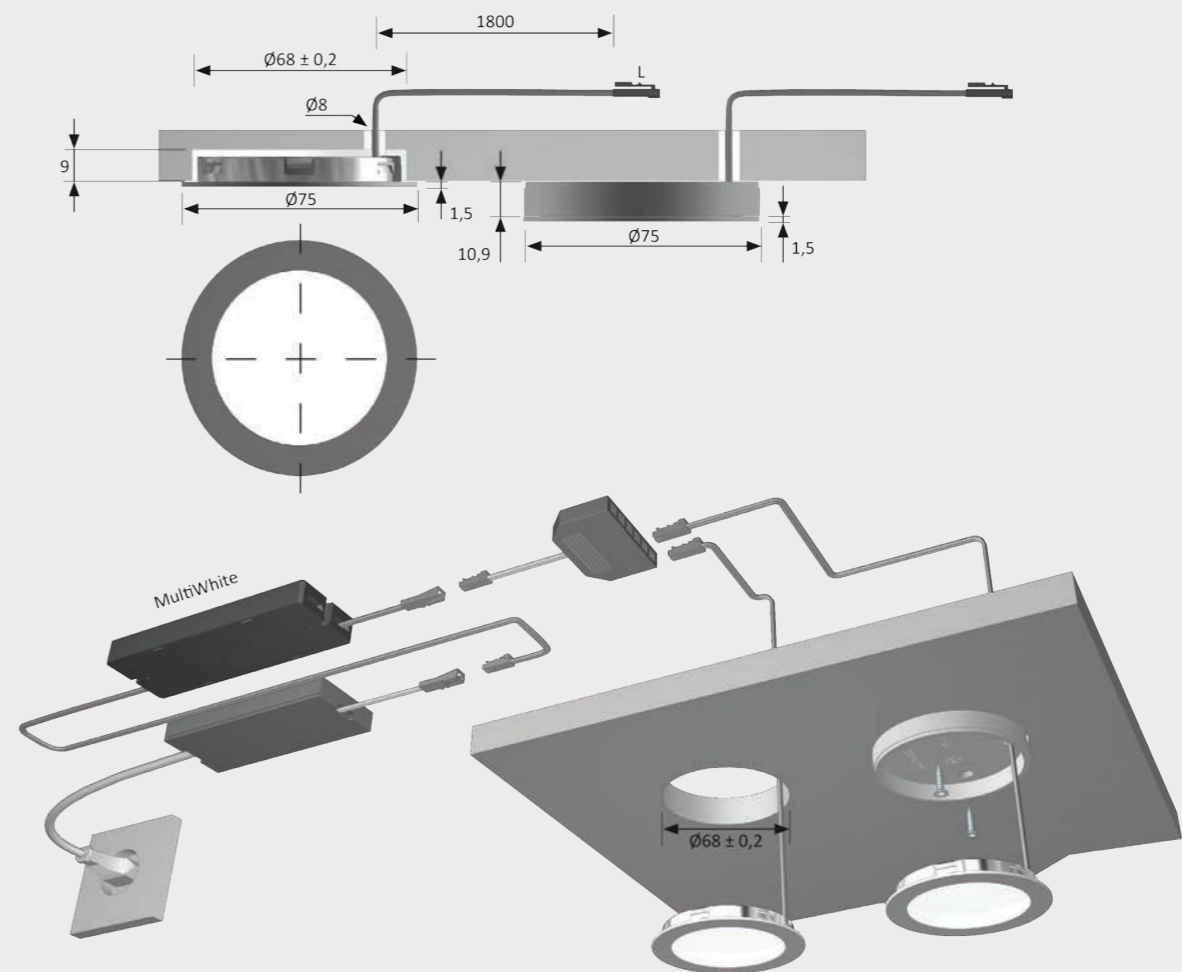
Light distribution diagram 60° - measured in a black room



Light box



Assembly drawing





LitePanel 58

Product advantages

- ▶ 100 % homogeneous luminous surface
- ▶ Low installation depth
- ▶ Modern lamp in a timeless design

Features

- ▶ Wide beam without shadows
- ▶ Recessed light with 58 mm installed diameter
- ▶ High light output in relation to size

Ordering information

- ▶ MultiWhite control for setting the colour required
- ▶ When a MultiWhite luminaire is connected directly to a ballast, the light colour is XtraWarmWhite; when using the adapter, the light colour is cool white
- ▶ For a kitchen niche or top floor, use at least 3 lights per meter

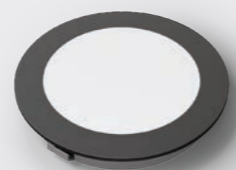
LitePanel 58

	MultiWhite	XtraWarm	WarmWhite	NeutralWhite
Stainless steel look	32 359 39	32 359 39	32 359 19	32 359 09
Black	32 359 35	32 359 35	32 359 15	32 359 05

Accessories

Decorative stickers Chrome Glossy (set of 6)	26 074 14
Decorative stickers Gold Chrome (set of 6)	26 074 16
Decorative stickers Gold Metallic (set of 6)	26 074 12
Decorative stickers Brushed Copper (set of 6)	26 074 11
Decorative stickers Silver Chrome (set of 6)	26 074 15
Decorative stickers White Glossy (set of 6)	26 074 13
Ballast 20 W with Euro flat plug (6-way distributor)	31 016 01
M1 3-way distributor 180 mm	36 852 01
M1 6-way distributor 2000 mm	36 125 01
M1 extension lead 1800 mm	36 768 01
MultiWhite colour change adapter XW/CW	39 304 40

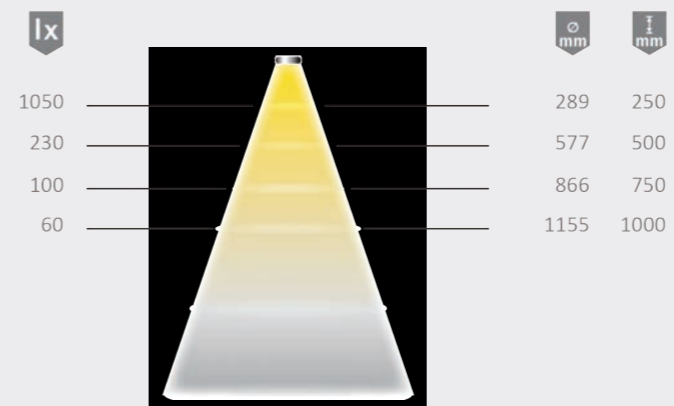
Technical details



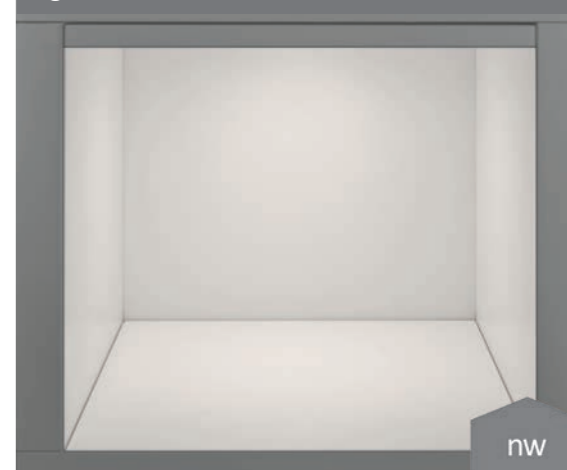
12 V

Luminaire type:	Recessed light
Type of lighting:	Functional/ accent lighting
Surface finish:	Black/ Stainless steel look
Operating voltage:	12 Volt DC
Light colour:	NeutralWhite/ WarmWhite/ XtraWarm/ MultiWhite
Colour rendering:	> 80 Ra
Luminous flux:	200 lm
Life span:	40,000 h (L80/B10)
Power consumption:	max. 3.2 W
Dimmable:	PWM
Beam angle:	90°
Half value angle:	60°
Test marks and symbols:	CE
Protection rating:	IP 20
Supply lead:	1800 mm
Plug connector:	Mini connector M1

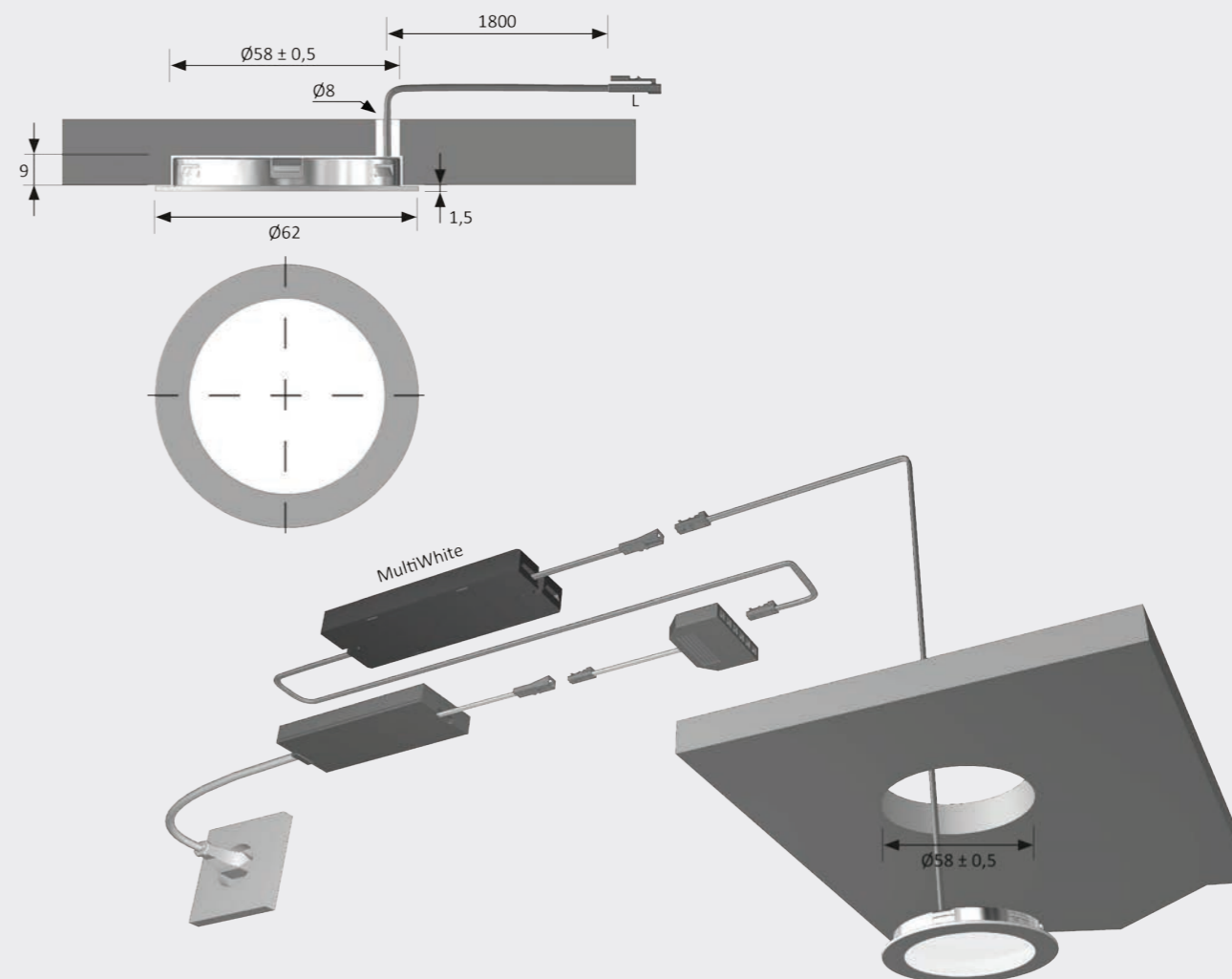
Light distribution diagram 60° - measured in a black room



Light box

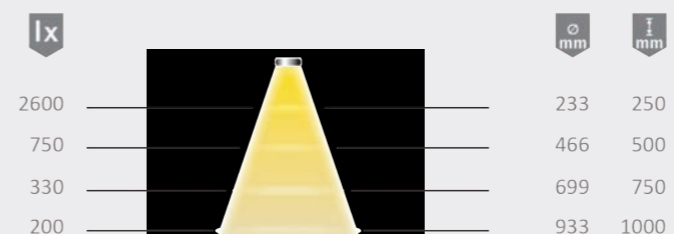


Assembly drawing

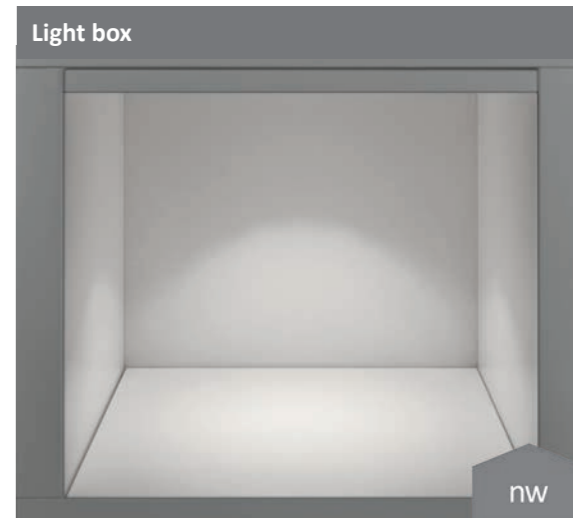




Light distribution diagram 50° - measured in black room



Light box



ConeLite 58

Product advantages

- ▶ Cone of light like halogen spot
- ▶ High-quality metal housing
- ▶ Bright versatile luminaire

Features

- ▶ High light output in relation to size
- ▶ Plug-in connection on housing
- ▶ Recessed light for 58 mm installation diameter

Application

- ▶ kitchen niches and top floors
- ▶ Shelves
- ▶ Display cabinets

Order information

- ▶ When a MultiWhite luminaire is connected directly to a ballast, the light colour is XtraWarmWhite; when using the adapter, the light colour is cool white.

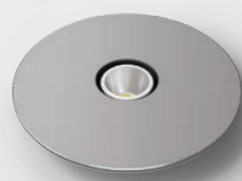
ConeLite 58

	MultiWhite	XtraWarm	WarmWhite	NeutralWhite
Stainless steel look	32 063 31	32 063 31	32 063 19	32 063 09
Black	32 063 35	32 063 35	32 063 15	32 063 05

Accessories

ConeLite 58 eds surface-mounted housing	36 968 07
Ballast 20 W with Euro flat plug (6-way distributor)	31 016 01
M1 3-way distributor 180 mm	36 852 01
M1 6-way distributor 2000 mm	36 125 01
M1 extension lead 1800 mm	36 768 01
MultiWhite colour change adapter XW/CW	39 304 40

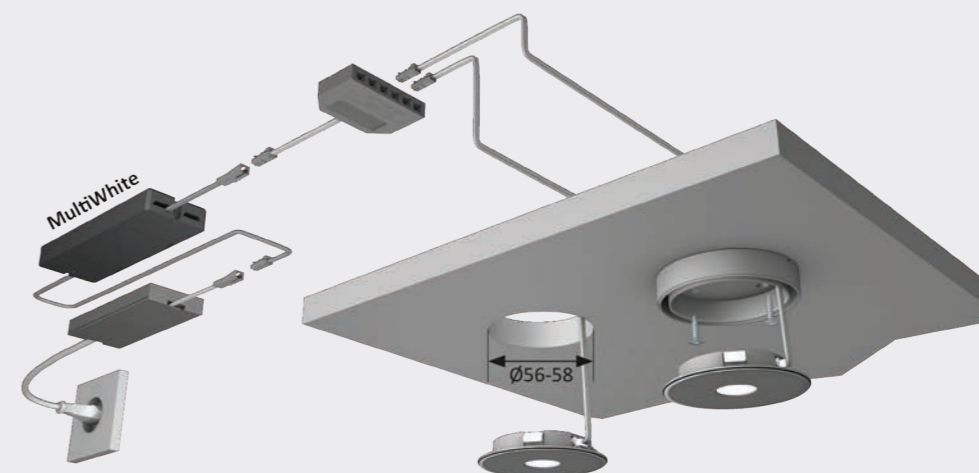
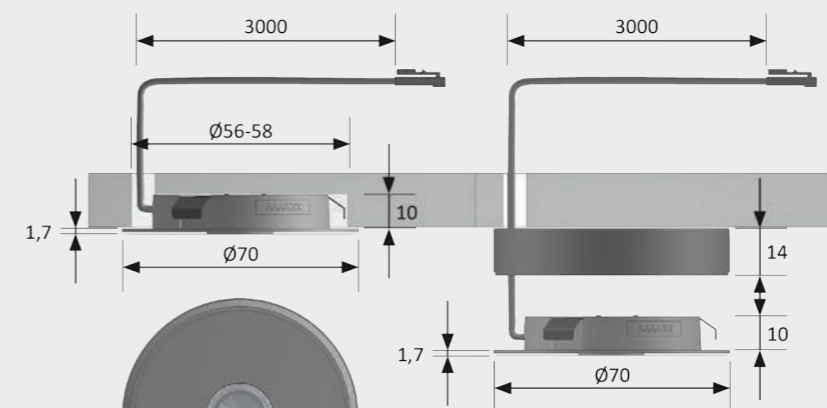
Technical details



12 V

Luminaire type:	Recessed/ surface-mounted light
Type of lighting:	Functional/ accent lighting
Surface finish:	Stainless steel look/ Black
Operating voltage:	12 Volt DC
Light colour:	NeutralWhite/ WarmWhite/ XtraWarm/ MultiWhite
Colour rendering:	> 85 Ra
Luminous flux:	160 lm
Luminaire efficiency:	45 lm/W
Light source efficiency:	60 lm/W
Life span:	40,000 h (L80/B10)
Power consumption:	max. 3.5 W
Dimmable:	PWM
Beam angle:	90°
Half value angle:	50°
Test marks and symbols:	CE
Protection rating:	IP 44
Installed diameter:	56 mm
Supply lead:	3000 mm
Plug connector:	Mini connector M1

Assembly drawing





EcoSpot 58

Product advantages

- ▶ Entry-level recessed spotlight
- ▶ Compact light
- ▶ Evenly illuminated area

Application

- ▶ Shelves
- ▶ Showcases

Features

- ▶ Recessed light with 58 mm installed diameter
- ▶ Wide beam without shadows

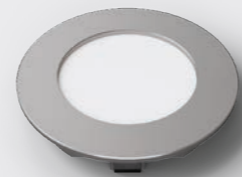
EcoSpot 58

	WarmWhite	NeutralWhite
Stainless steel look	32 153 19	32 153 09
Stainless steel look (set of 10)	32 153 69	32 153 59

Accessories

Surface-mounted housing in stainless steel look	36 244 09
Ballast 20 W with Euro flat plug (6-way distributor)	31 016 01
M1 3-way distributor 180 mm	36 852 01
M1 6-way distributor 2000 mm	36 125 01
M1 extension lead 1800 mm	36 768 01

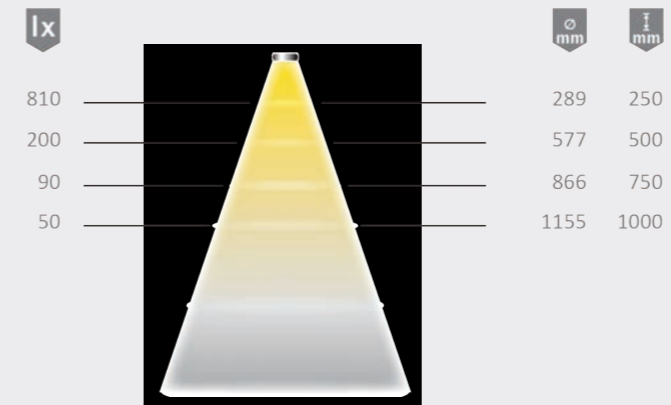
Technical details



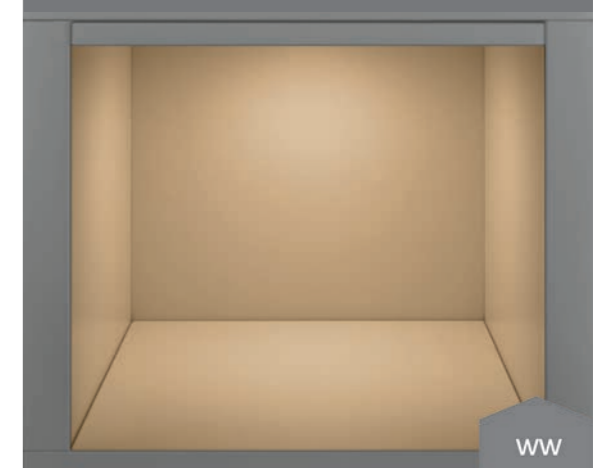
12 V

Luminaire type:	Recessed/ surface-mounted light
Type of lighting:	Accent lighting
Surface finish:	Stainless steel look
Operating voltage:	12 Volt DC
Light colour:	Neutral White/ Warm White
Colour rendering:	> 80 Ra
Luminous flux:	110 lm
Luminaire efficiency:	73 lm/W
Light source efficiency:	87 lm/W
Life span:	40,000 h (L80/B10)
Power consumption:	max. 1.5 W
Dimmable:	PWM
Beam angle:	90°
Half value angle:	60°
Test marks and symbols:	CE
Protection rating:	IP 20
Installed diameter:	58 mm
Supply lead:	1800 mm
Plug connector:	Mini connector M1

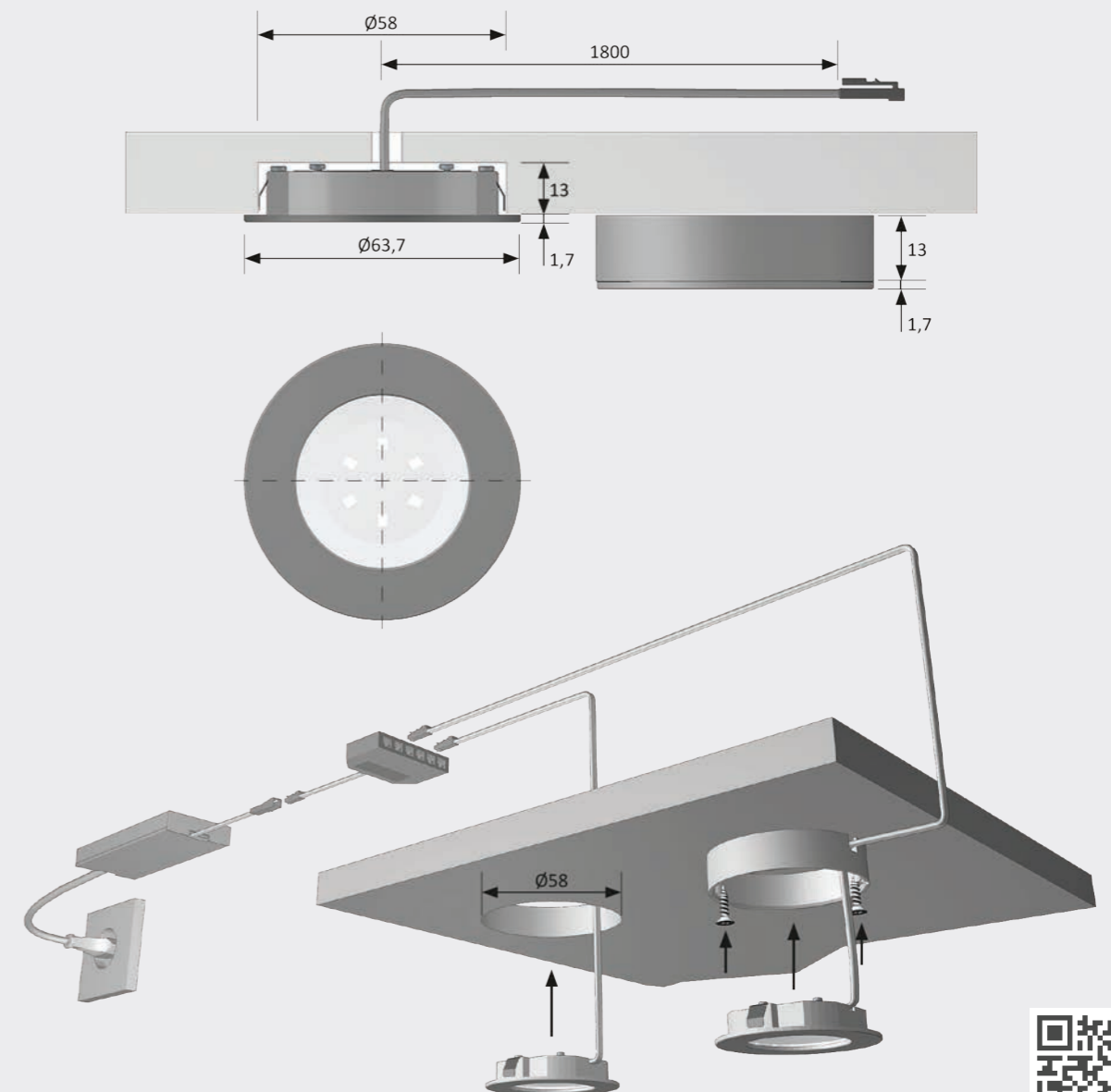
Light distribution diagram 60° - measured in a black room



Light box



Assembly drawing





MoveSpot 40

Product advantages

- ▶ Accentuation through swivelling light cone
- ▶ Can be used without glare
- ▶ Versatile
- ▶ Extra bright

Features

- ▶ Recessed light with 40 mm installed diameter
- ▶ 20° adjustment to side
- ▶ Focused light

Application

- ▶ Shelves
- ▶ Display cabinets
- ▶ Furniture halo lighting

Order information

- ▶ When a MultiWhite luminaire is connected directly to a ballast, the light colour is XtraWarmWhite; when using the adapter, the light colour is cool white
- ▶ MultiWhite accessories are required for MultiWhite light colour

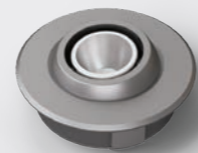
MoveSpot 40

	MultiWhite	XtraWarm	WarmWhite
Aluminium	32 351 36	32 351 36	32 351 16
Black	32 351 35	32 351 35	32 351 15

Accessories

Ballast 20 W with Euro flat plug (6-way distributor)	31 016 01
M1 3-way distributor 180 mm	36 852 01
M1 6-way distributor 2000 mm	36 125 01
M1 extension lead 1800 mm	36 768 01
MultiWhite colour change adapter XW/CW	39 304 40

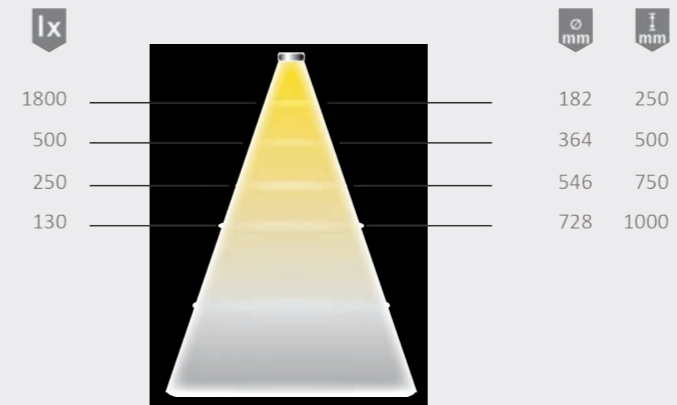
Technical details



12 V

Luminaire type:	Recessed light
Type of lighting:	Functional/ accent lighting
Surface finish:	Aluminium/ Black
Operating voltage:	12 Volt DC
Light colour:	WarmWhite/ XtraWarm/ MultiWhite
Colour rendering:	> 80 Ra
Luminous flux:	100 lm
Luminaire efficiency:	56 lm/W
Light source efficiency:	83 lm/W
Life span:	40,000 h (L80/B10)
Power consumption:	max. 2.2 W
Dimmable:	PWM
Beam angle:	90°
Half value angle:	40°
Test marks and symbols:	CE
Protection rating:	IP 44
Installed diameter:	40 mm
Supply lead:	1800 mm
Plug connector:	Mini connector M1

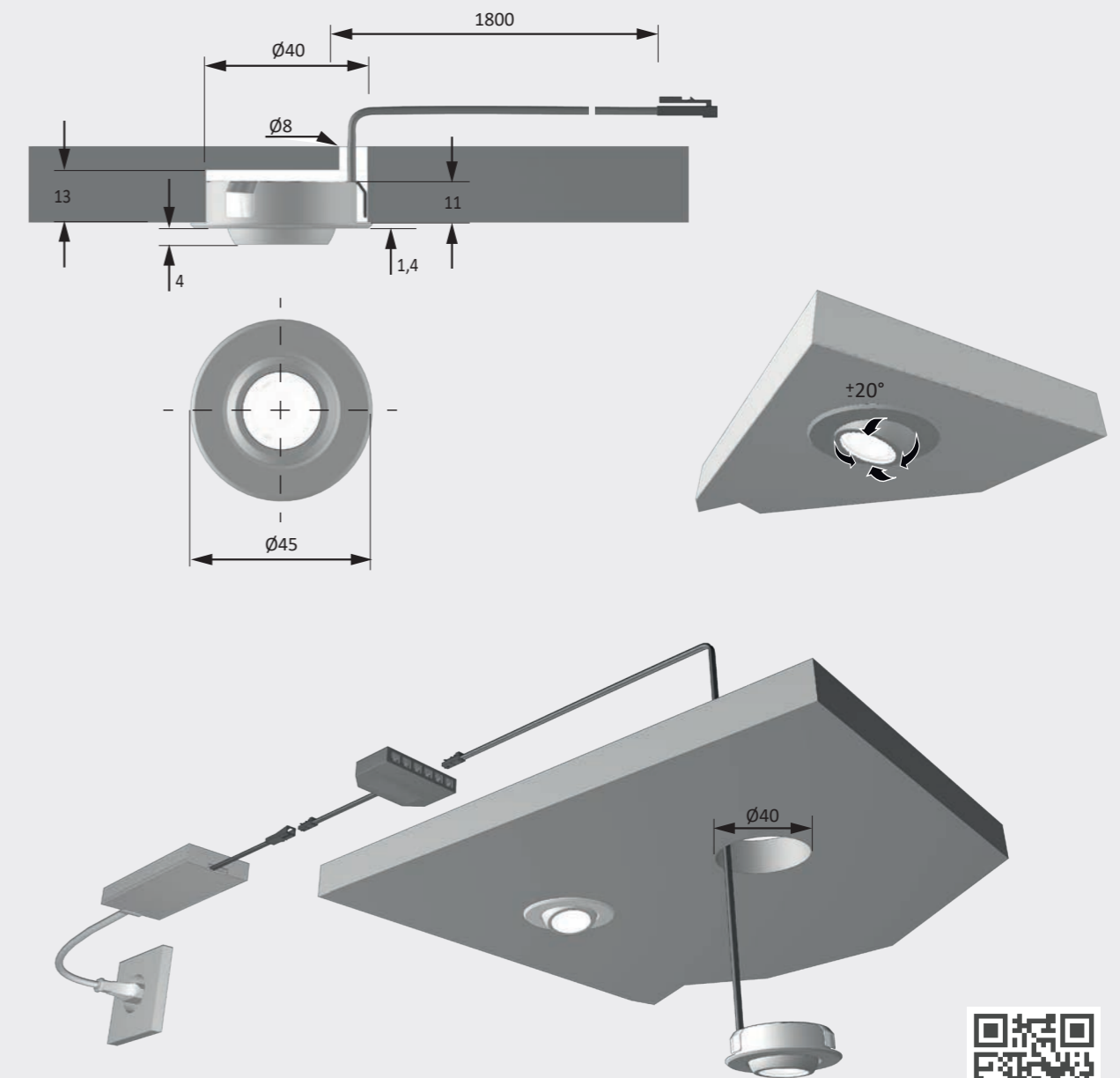
Light distribution diagram 40° - measured in black room



Light box



Assembly drawing





MiniSpot 15

Product advantages

- ▶ Compact light
- ▶ Subtle accent lighting

Application

- ▶ Shelves
- ▶ Display cabinets

Features

- ▶ Only 15 mm installation diameter

MiniSpot 15

	WarmWhite
Stainless steel look	32 001 19
Black	32 001 15

Accessories

Ballast 20 W with Euro flat plug (6-way distributor)	31 016 01
M1 3-way distributor 180 mm	36 852 01
M1 6-way distributor 2000 mm	36 125 01
M1 extension lead 1800 mm	36 768 01

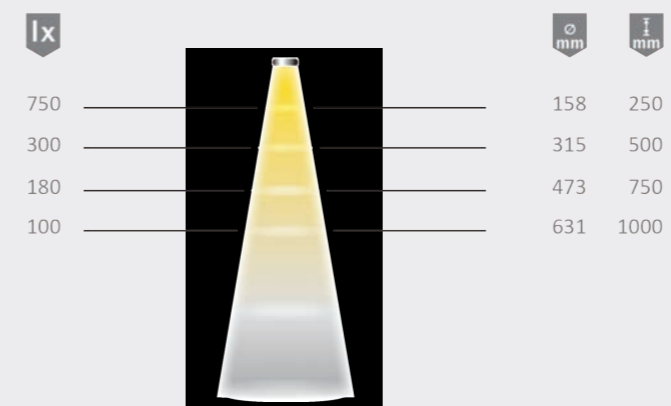
Technical details



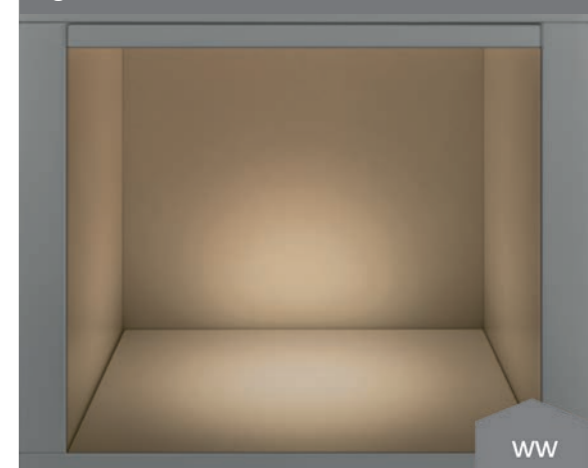
12 V

Luminaire type:	Recessed light
Type of lighting:	Accent lighting
Surface finish:	Black/ Stainless steel look
Operating voltage:	12 Volt DC
Light colour:	WarmWhite
Colour rendering:	> 90 Ra
Luminous flux:	70 lm
Luminaire efficiency:	70 lm/W
Light source efficiency:	100 lm/W
Life span:	50,000 h (L80/B10)
Power consumption:	max. 1 W
Dimmable:	PWM
Beam angle:	50°
Half value angle:	35°
Test marks and symbols:	CE
Protection rating:	IP 20
Installed diameter:	15 mm
Supply lead:	1800 mm
Plug connector:	Mini connector M1

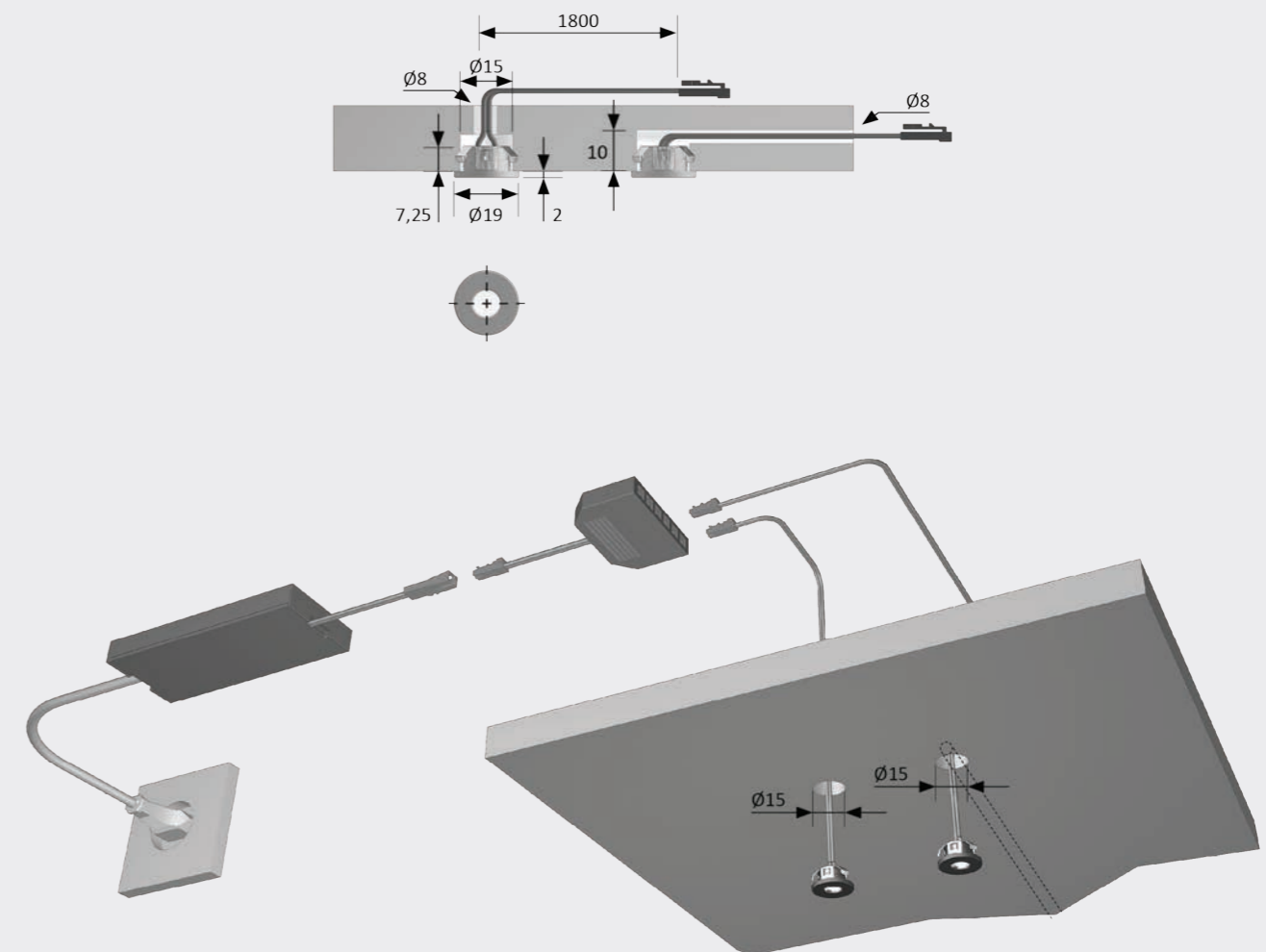
Light distribution diagram 35° - measured in a black room



Light box



Assembly drawing





SideSpot 35

Product advantages

- ▶ Accentuation by light from below/side
- ▶ Can be used without glare

Features

- ▶ Oblique light emission
- ▶ Recessed light for 35 mm installation diameter

Application

- ▶ Shelves
- ▶ Display cabinets
- ▶ Cabinet sides and shelves

Order information

- ▶ When a MultiWhite luminaire is connected directly to a ballast, the light colour is XtraWarmWhite; when using the adapter, the light colour is cool white.

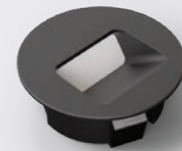
SideSpot 35

	MultiWhite	XtraWarm
Black	32 171 35	32 171 35

Accessories

Ballast 20 W with Euro flat plug (6-way distributor)	31 016 01
M1 3-way distributor 180 mm	36 852 01
M1 6-way distributor 2000 mm	36 125 01
M1 extension lead 1800 mm	36 768 01
MultiWhite colour change adapter XW/CW	39 304 40

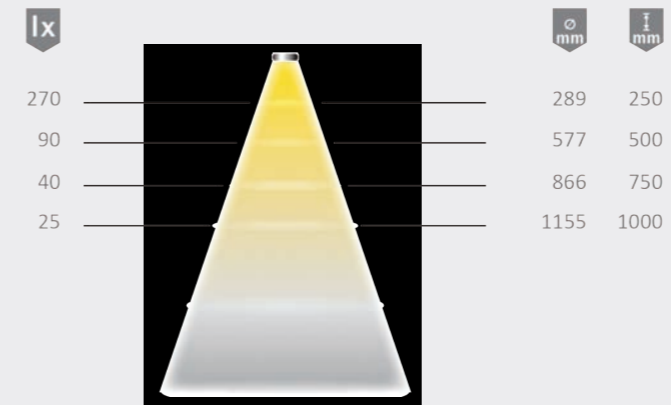
Technical details



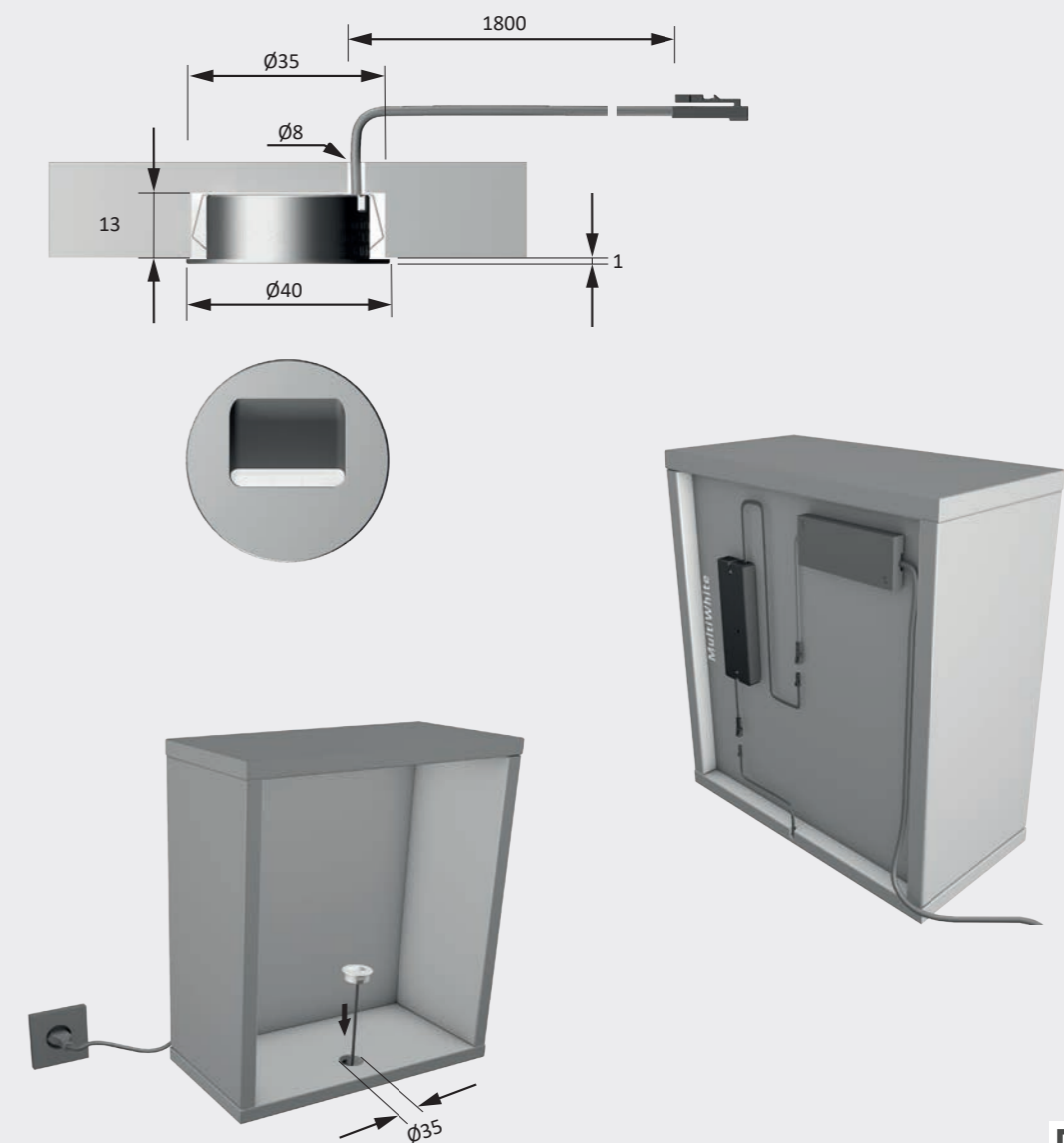
12 V

Luminaire type:	Recessed light
Type of lighting:	Functional/ accent lighting
Surface finish:	Black
Operating voltage:	12 Volt DC
Light colour:	XtraWarm/ MultiWhite
Colour rendering:	> 80 Ra
Luminous flux:	50 lm
Luminaire efficiency:	30 lm/W
Light source efficiency:	45 lm/W
Life span:	40,000 h (L80/B10)
Power consumption:	max. 1.4 W
Dimmable:	PWM
Beam angle:	90°
Half value angle:	60°
Test marks and symbols:	CE
Protection rating:	IP 20
Installed diameter:	35 mm
Supply lead:	1800 mm
Plug connector:	Mini connector M1

Light distribution diagram 60° - measured in black room



Assembly drawing





Special lights

Lights for special applications

Lights that showcase a back wall, react to movement or radiate in two directions – this and further possibilities are opened up by our wide spectrum of special luminaires.



LitePipe slim

Product advantages

- ▶ Activated by motion sensor
- ▶ Can be individually cut to length
- ▶ Can be retrofitted into furniture

Features

- ▶ Fits in wardrobe rail bearing oval 15x30 mm
- ▶ Load capacity of up to 40 kg/m
- ▶ Run-on time approx. 30 seconds

Application

- ▶ Wardrobes
- ▶ Cloakrooms

Order information

- ▶ Wardrobe tube bearings are not included in delivery

LitePipe slim

	WarmWhite	NeutralWhite
Aluminium (max. 8.4W) 1192mm	56 030 12	56 030 02
Black (max. 8.4 W) 1192 mm	56 032 12	56 032 02

Accessories

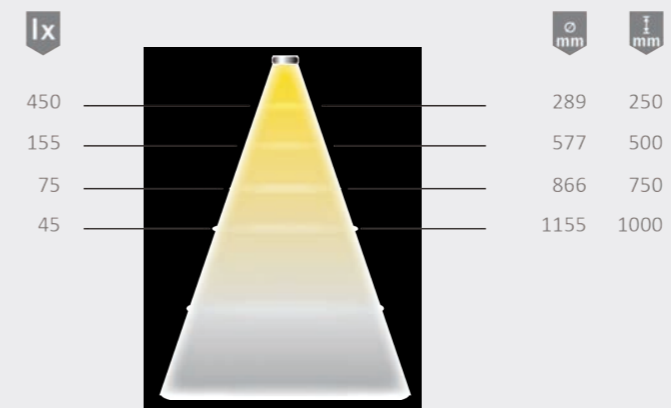
Ballast 20 W with Euro flat plug (6-way distributor)	31 016 01
M1 3-way distributor 180 mm	36 852 01
M1 extension lead 1800 mm	36 768 01

Technical details

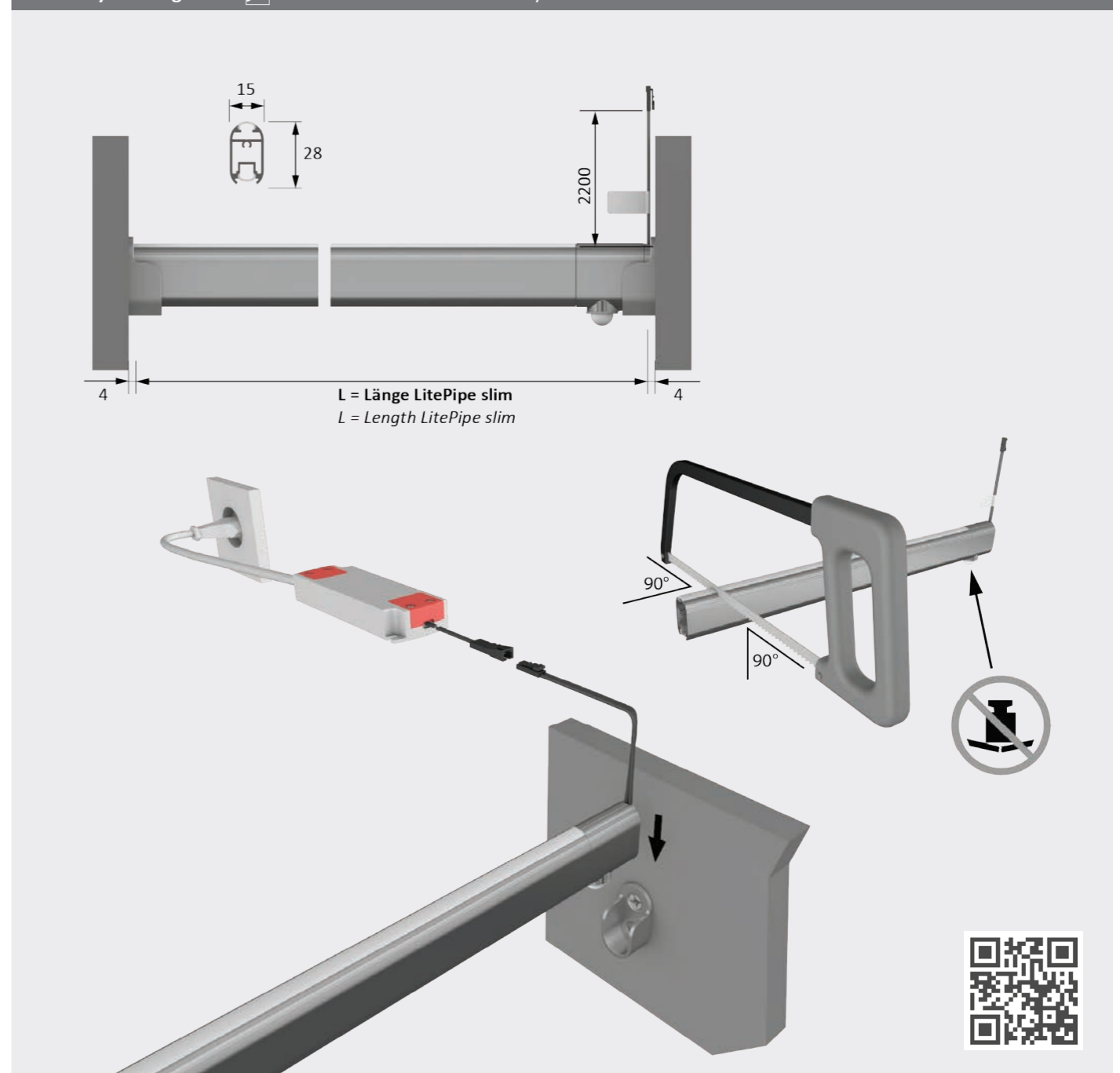


Luminaire type:	Surface mounted light
Type of lighting:	Functional lighting
Surface finish:	Aluminium/ Black
Operating voltage:	12 Volt DC
Light colour:	Neutral White/ Warm White
Colour rendering:	> 90 Ra
Luminous flux:	300 lm/m
Light source efficiency:	110 lm/W
Life span:	40,000 h (L80/B10)
Power consumption:	max. 7.2 W/m
Dimmable:	No
Beam angle:	90°
Half value angle:	60°
Test marks and symbols:	CE
Protection rating:	IP 20
Supply lead:	2200 mm
Plug connector:	Mini connector M1

Light distribution diagram 60° - measured in black room



Assembly drawing Can be shortened individually





ChannelLine boom

Product advantages

- ▶ Determine the light colour and brightness yourself
- ▶ Allows a variety of individual lights

Features

- ▶ For use with ChannelLine D, D2, i, i3 and U
- ▶ Elegant boom to turn the profile into an overhead light
- ▶ High flexibility through individual components

Application

- ▶ On wardrobes
- ▶ Above mirrors

Order information

- ▶ From 400 mm length we recommend at least 2 booms
- ▶ Screws and cable clips included
- ▶ Versa lights and ChannelLine profiles must be ordered separately

ChannelLine boom

Aluminium look (set of 2)	26 068 06
Black (set of 2)	26 068 05

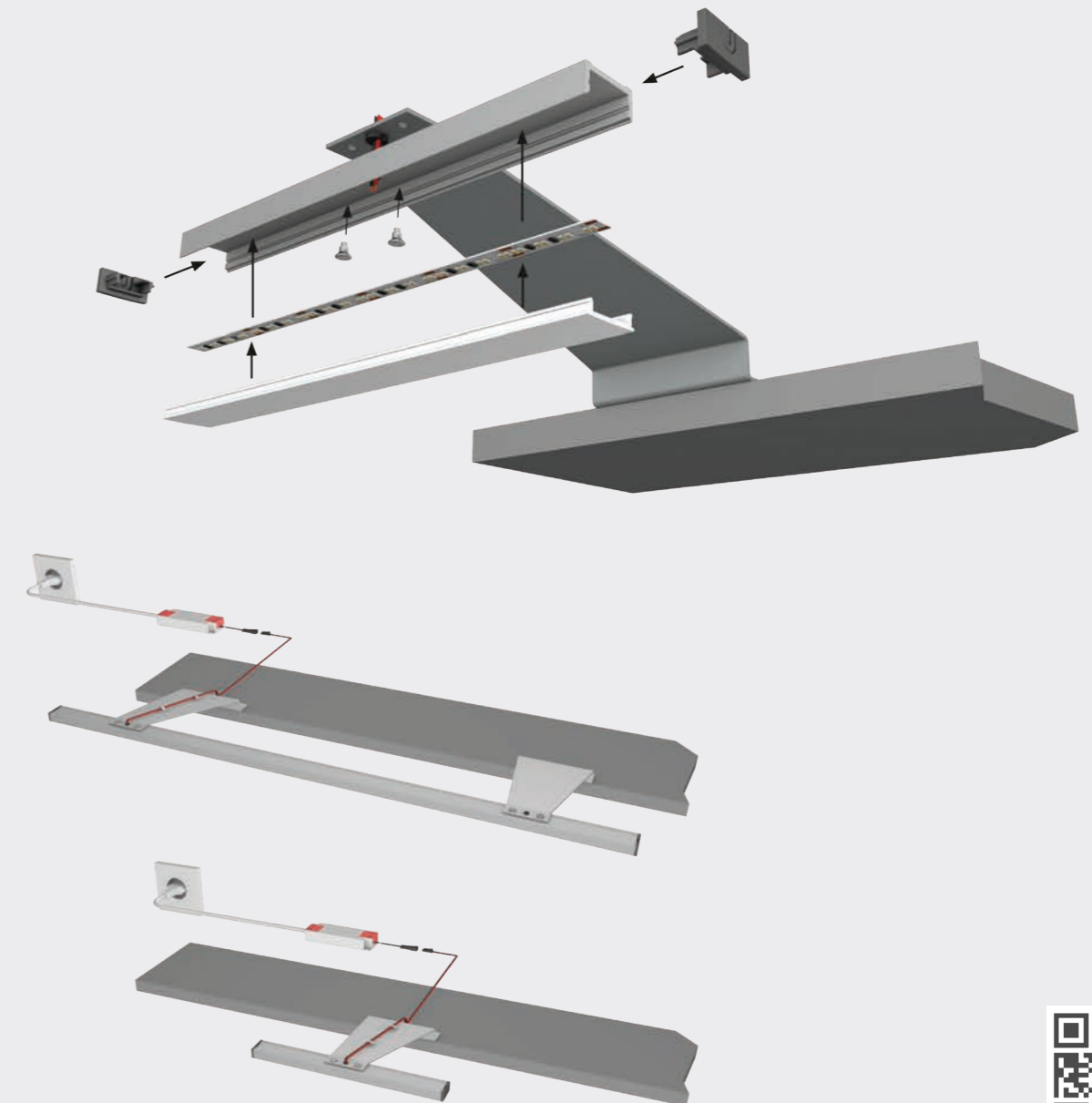
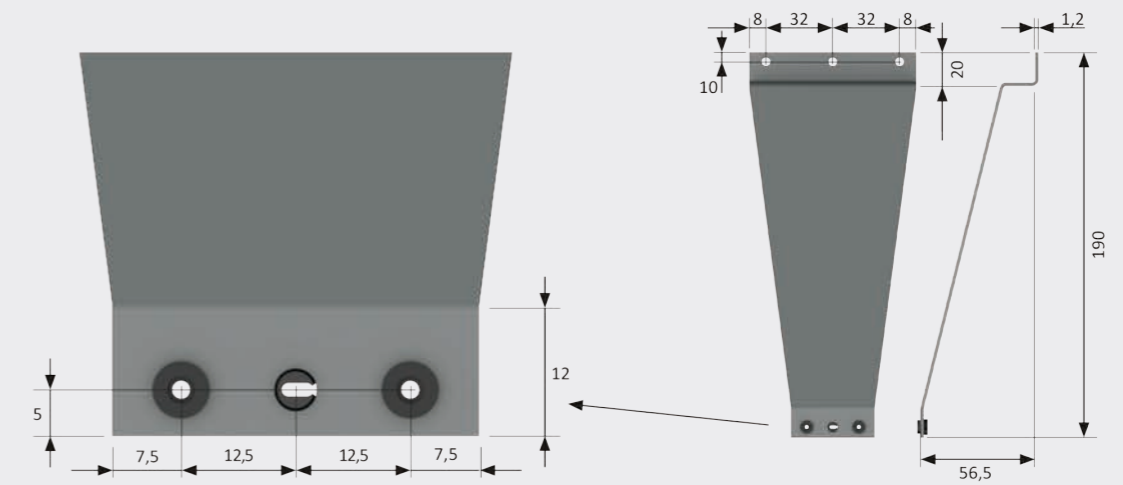
Technical details



Recommended for:

- ChannelLine D
- ChannelLine D2
- ChannelLine i
- ChannelLine i3
- ChannelLine U

Assembly drawing





InnoLine

Product advantages

- ▶ Drawer lighting
- ▶ No dark zones
- ▶ Integrated infrared sensor switch

Features

- ▶ Can be retrofitted into furniture
- ▶ Can be shortened individually

Application

- ▶ Drawers and pull-outs

Order information

- ▶ When ordering, please specify article number and interior dimensions in mm
- ▶ Order cable duct separately if required
- ▶ MultiWhite control required for colour adjustment

InnoLine

	MultiWhite
200-600mm (max. 2,9 W)	34 230 31
200-900 mm (max. 4,3 W)	34 230 32
200-1200 mm (max. 5,8 W)	34 230 33

Accessories

Basic Control MultiWhite	30 775 01
Ballast 20 W with Euro flat plug (6-way distributor)	31 016 01
M1 3-way distributor 180 mm	36 852 01
M1 6-way distributor 2000 mm	36 125 01
M1 extension lead 1800 mm	36 768 01
Cable duct, self-adhesive, 1000 mm, white	36 238 01
MultiWhite colour change adapter XW/CW	39 304 40

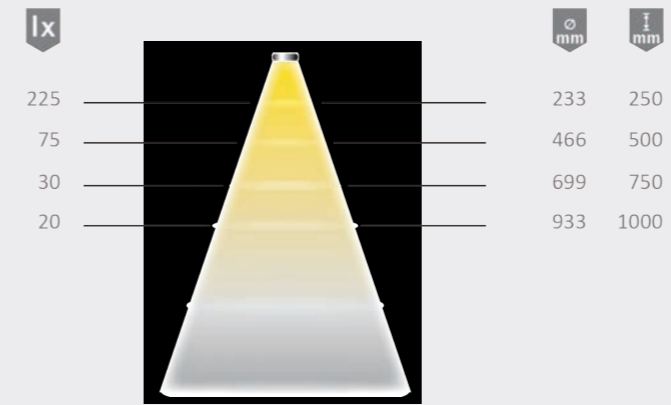
Technical details



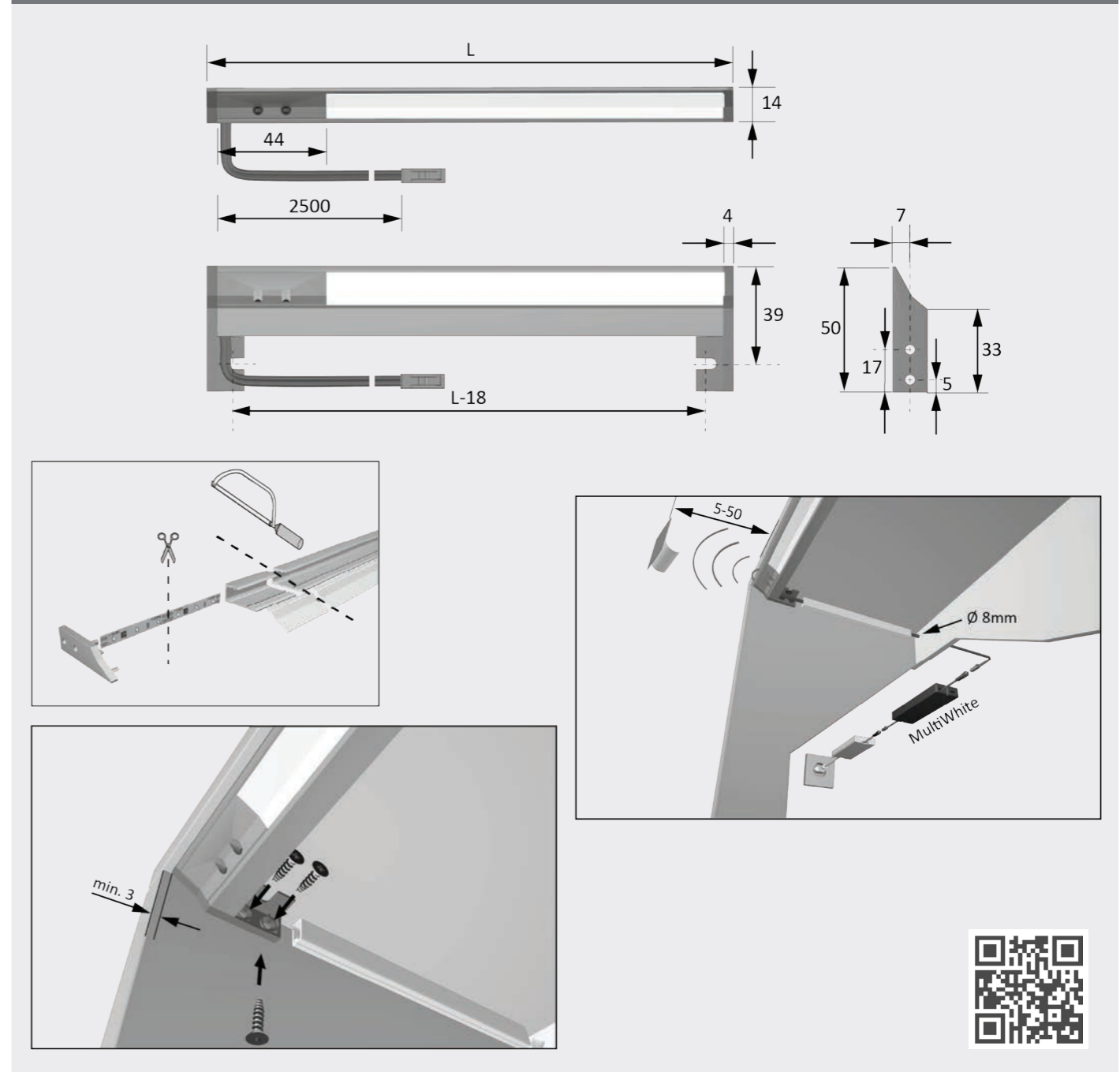
12 V

Luminaire type:	Surface mounted light
Type of lighting:	Functional lighting
Surface finish:	Aluminium
Operating voltage:	12 Volt DC
Light colour:	MultiWhite
Colour rendering:	> 90 Ra
Luminous flux:	144 lm/m
Power consumption:	max. 4.8 W/m
Dimmable:	No
Half value angle:	50°
Test marks and symbols:	CE
Protection rating:	IP 20
Supply lead:	2500 mm
Plug connector:	Mini connector M1

Light distribution diagram 50° - measured in black room



Assembly drawing Can be shortened individually





GlasLine Up&Down

Product advantages

- ▶ Can be individually cut to length

Features

- ▶ Fits perfectly with Versa Linear 600

Application

- ▶ For easy DIY installation of effective lighting on the edge of an 8 mm glass floor
- ▶ Additional light emission upwards and downwards

Order information

- ▶ We recommend using a white glass pane (Optiwhite) with a frosted glass edge
- ▶ MultiWhite accessories are required for MultiWhite light colour

GlasLine Up&Down

	Aluminium
564 mm	18 720 91
1164 mm	18 720 92

Accessories

Versa Linear 600 12VDC 1200 mm mw	56 038 32
Versa Linear 600 12VDC 1200 mm nw	56 038 02
Versa Linear 600 12VDC 1200 mm ww	56 038 12
Versa Linear 600 12VDC 1200 mm xw	56 038 42
Ballast 20 W with Euro flat plug (6-way distributor)	31 016 01
M1 3-way distributor 180 mm	36 852 01
M1 6-way distributor 2000 mm	36 125 01
M1 extension lead 1800 mm	36 768 01

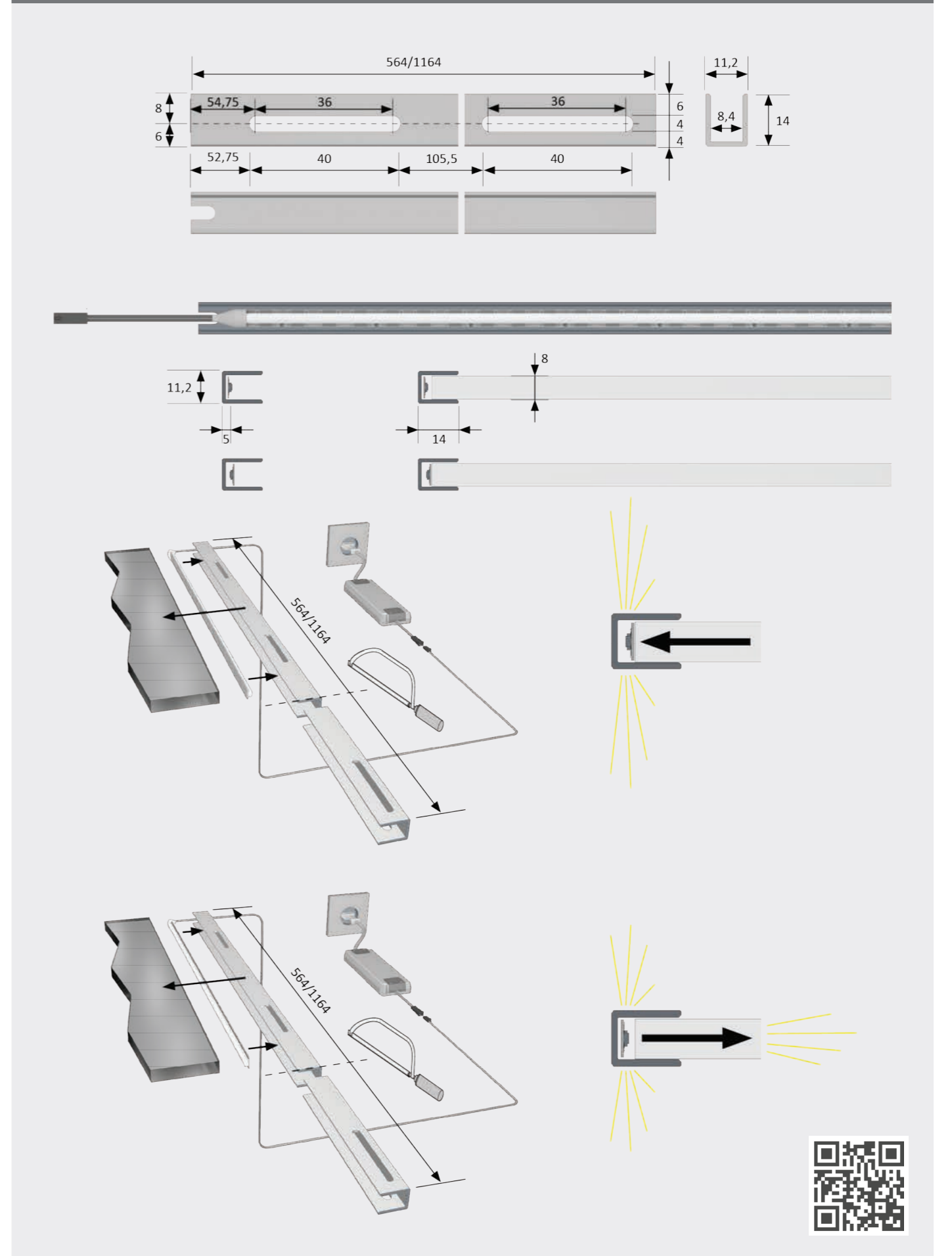
Technical details



Luminaire type: Surface mounted light
 Type of lighting: Accent lighting
 Surface finish: Aluminium

Assembly drawing

Can be shortened individually





GlasLine

Product advantages

- ▶ Eye-catching lighting of 8 mm glass edge
- ▶ Can be shortened to desired length

Features

- ▶ High flexibility due to individual components
- ▶ Ideal for use with Versa Linear

Application

- ▶ 8 mm glass plates

Order information

- ▶ For light colour MultiWhite, MultiWhite accessories are required
- ▶ We recommend using a white glass pane (Optiwhite) with a frosted glass edge

GlasLine

	Aluminium
1500 mm	18 720 81
3000 mm	18 720 01

Accessories

Versa Linear 600 12VDC 1200 mm mw	56 038 32
Versa Linear 600 12VDC 1200 mm nw	56 038 02
Versa Linear 600 12VDC 1200 mm ww	56 038 12
Versa Linear 600 12VDC 1200 mm xw	56 038 42
Ballast 20 W with Euro flat plug	31 016 01
M1 3-way distributor 180 mm	36 852 01
M1 6-way distributor 2000 mm	36 125 01
M1 extension lead 1800 mm	36 768 01

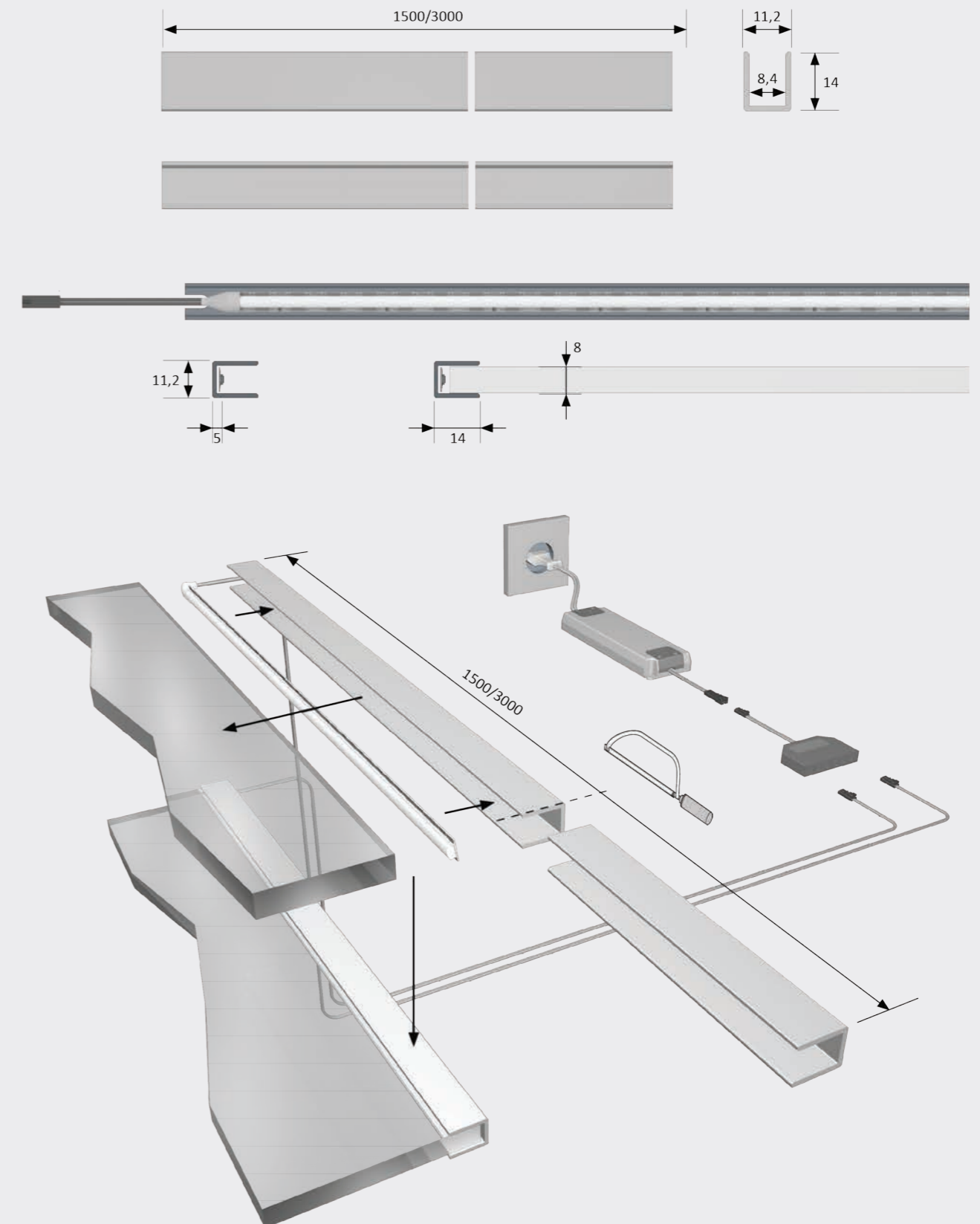
Technical details



Surface finish: Aluminium

Assembly drawing

Can be shortened individually





QuadroPoint

Product advantages

- ▶ Extra small mounting depth
- ▶ Filigree design

Features

- ▶ Brushed stainless steel cover
- ▶ Can be mounted in switch boxes
- ▶ Plug-in connection on housing
- ▶ JST mini connector on the housing compatible with Stair Stringer for stair lighting*

Application

- ▶ Floors
- ▶ Kitchen plinths
- ▶ Stairs

Order information

- ▶ Supply lead can be extended to 10 m

QuadroPoint

	WarmWhite	NeutralWhite
Stainless steel look	38 970 16	38 970 06

Accessories

Ballast 6 W with Euro flat plug (1-way)	30 226 02
M1 extension lead 5000 mm	36 743 03
M1 3-way distributor 180 mm	36 852 01
M1 6-way distributor 2000 mm	36 125 01
M1 extension lead 1800 mm	36 768 01

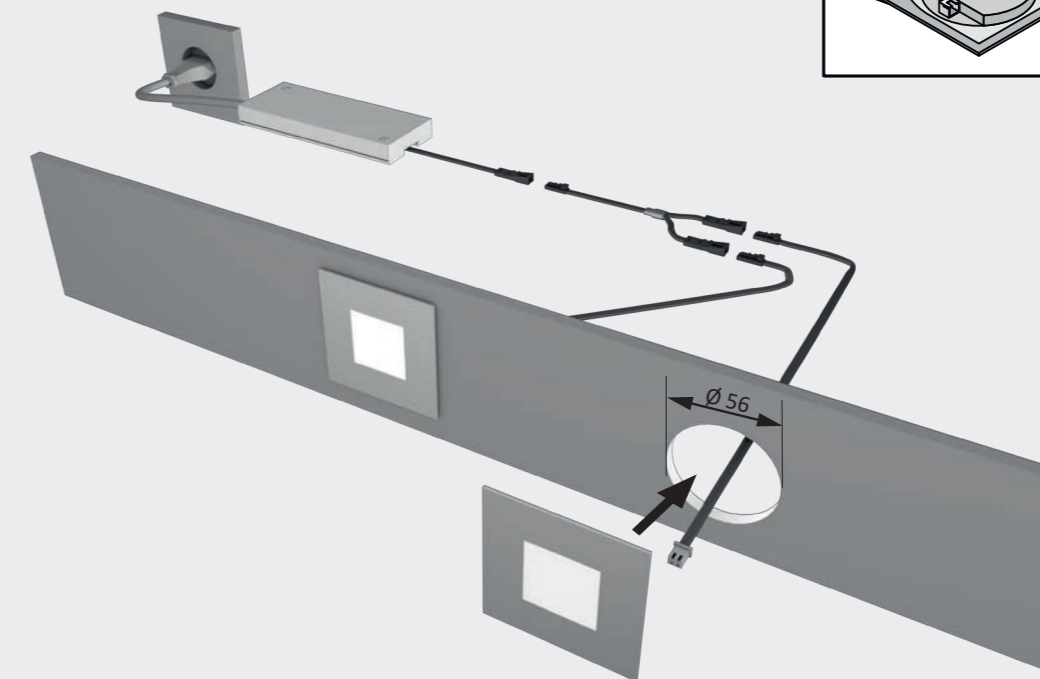
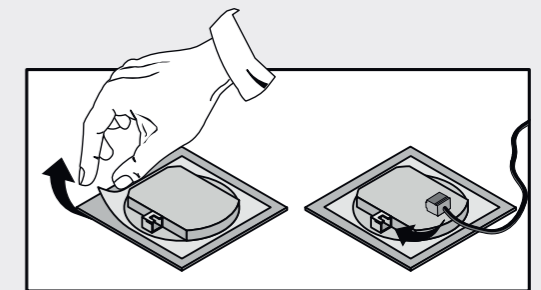
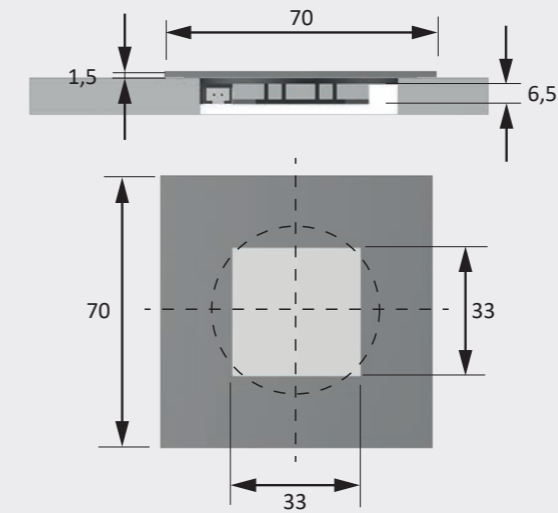
Technical details



Luminaire type:	Recessed light
Type of lighting:	Orientation lighting
Surface finish:	Stainless steel look
Operating voltage:	12 Volt DC
Light colour:	Neutral White/ Warm White
Luminous flux:	18 lm
Life span:	30,000 h (L80/B10)
Power consumption:	max. 0.6 W
Dimmable:	PWM
Test marks and symbols:	CE Ⓢ
Protection rating:	IP 20
Supply lead:	3000 mm
Plug connector:	Mini connector M1

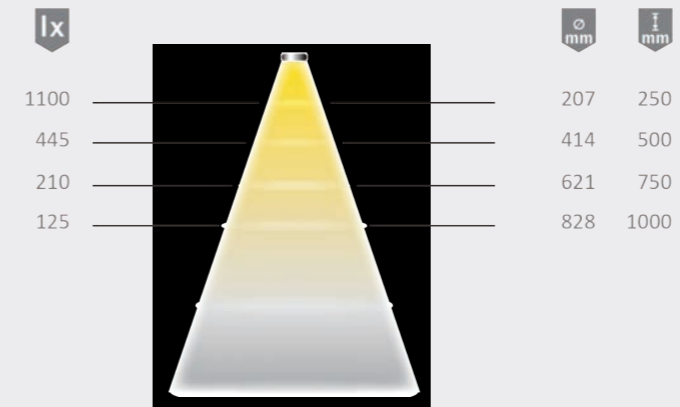
* see catalogue, staircase lighting

Assembly drawing





Light distribution diagram 45° - measured in black room



LuckyLine

Product advantages

- ▶ 'ON' time can be set individually
- ▶ Different mounting angles for variable use

Features

- ▶ Can be retrofitted into furniture
- ▶ Timer-controlled switch-off
- ▶ Integrated motion detector

Application

- ▶ Orientation light for under the bed
- ▶ Cabinet interior lighting

Order information

- ▶ Set includes 2 lights, 1 extension, angle brackets, 1 LED plug ballast

Technical details



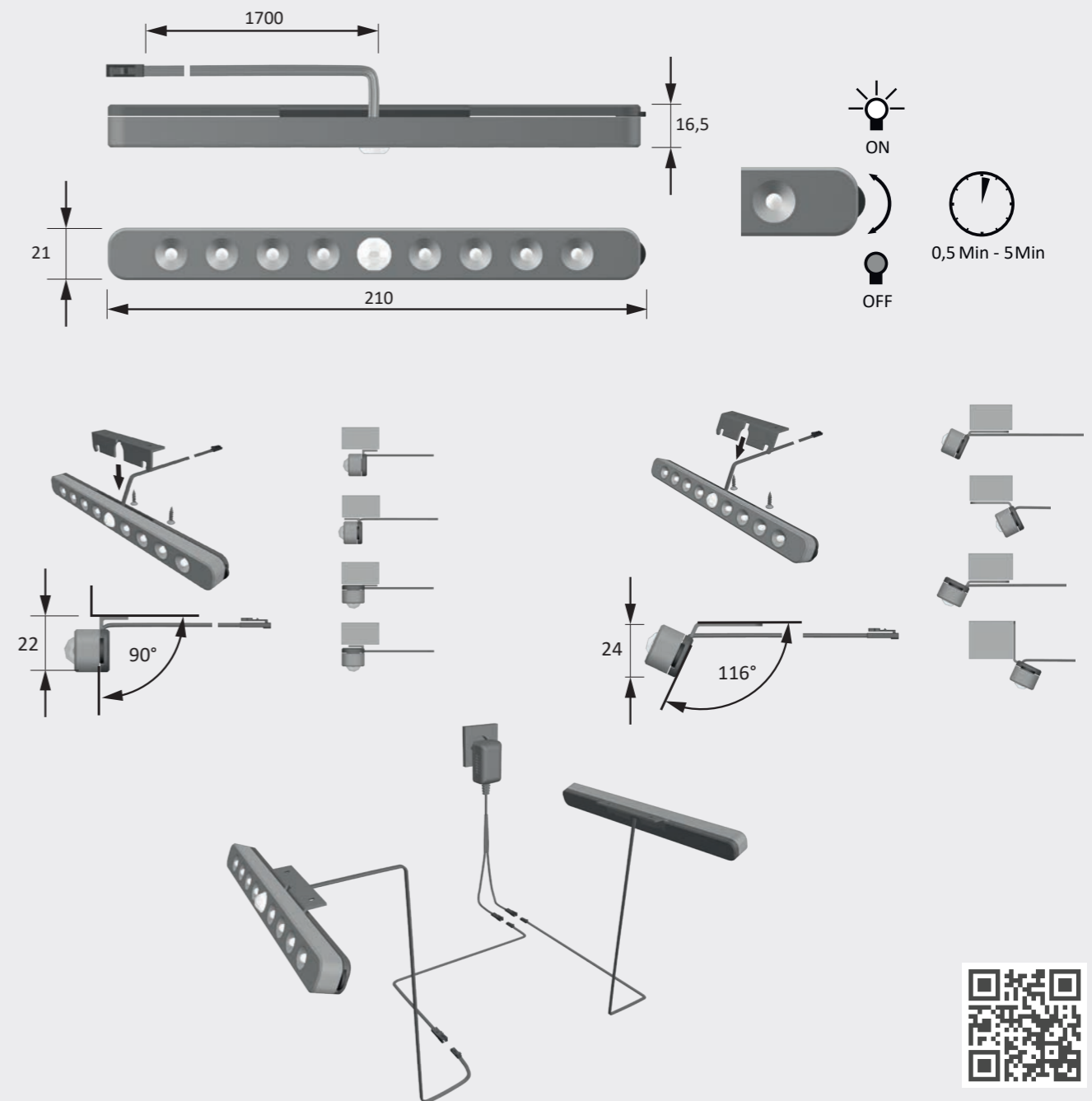
12 V

LuckyLine

	WarmWhite	NeutralWhite
Aluminium look	36 972 11	36 975 02

Luminaire type:	Surface mounted light
Type of lighting:	Orientation lighting
Surface finish:	Aluminium look
Operating voltage:	12 Volt DC
Light colour:	WarmWhite / NeutralWhite
Colour rendering:	> 85 Ra
Luminous flux:	50 lm
Life span:	30,000 h (L80/B10)
Power consumption:	max. 0.9 W
Dimmable:	No
Beam angle:	90°
Half value angle:	45°
Test marks and symbols:	CE Ⓢ
Protection rating:	IP 20
Supply lead:	1700 mm
Plug connector:	Mini connector M1

Assembly drawing





Miles

Product advantages

- ▶ Push button/dimmer in luminaire head
- ▶ Easy to retrofit
- ▶ High quality design light

Features

- ▶ Flexible gooseneck
- ▶ Non wide beam
- ▶ Eye-friendly warm white light, ideal for reading before falling asleep

Application

- ▶ Headboard
- ▶ Sofa

Order information

- ▶ LED plug ballast and an extension lead (set of 2) are included in the set

Miles

	WarmWhite
Set of 1 black matt	40 968 15
Set of 2 black matt	40 969 15

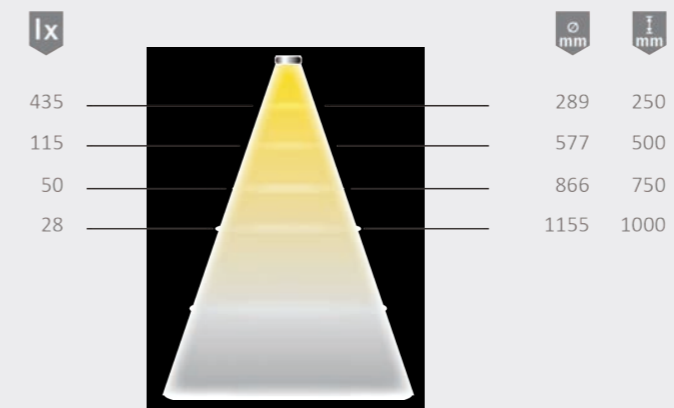
Technical details



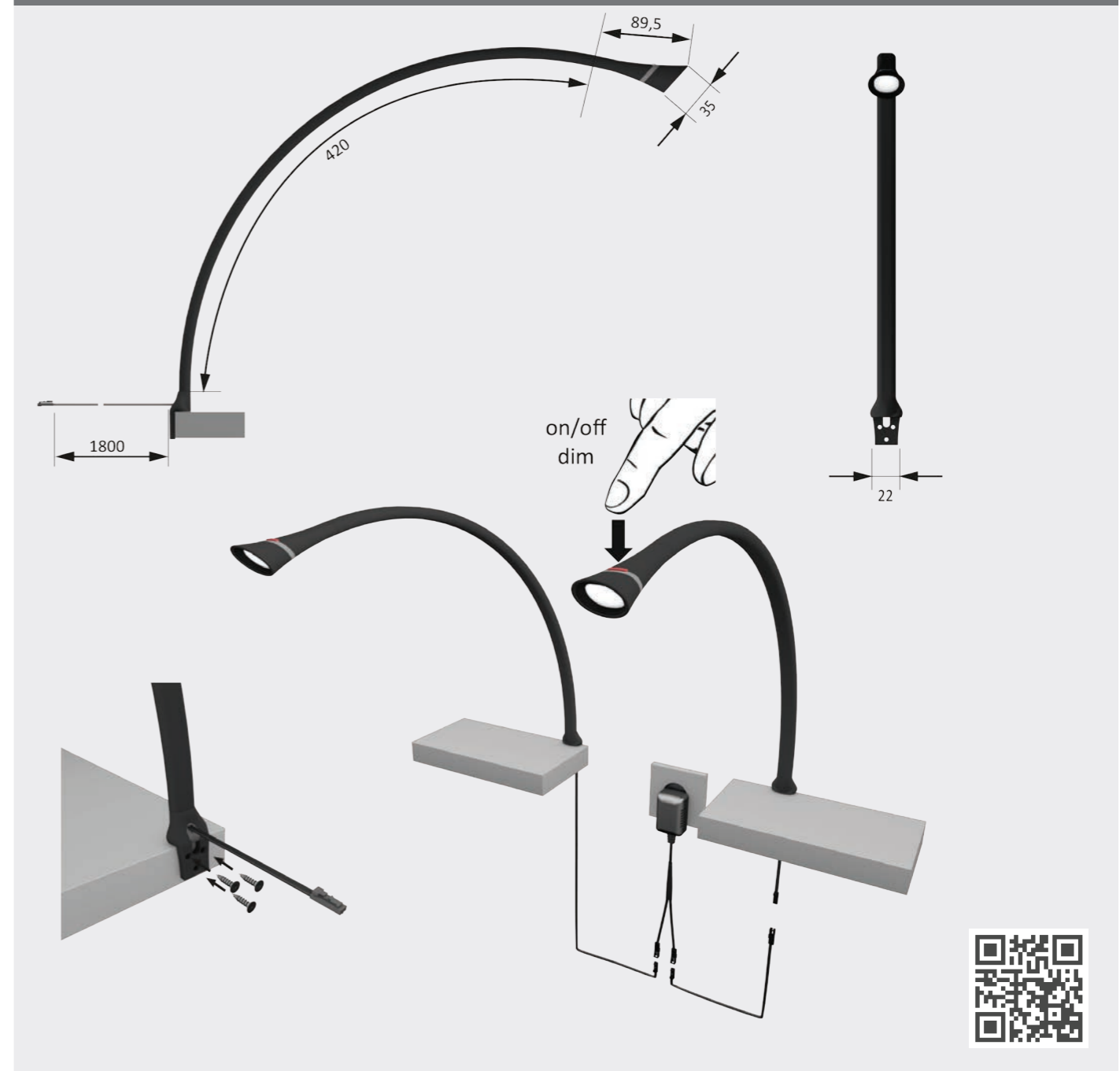
12 V

Luminaire type:	Surface mounted light
Type of lighting:	Functional lighting
Surface finish:	Black
Operating voltage:	12 Volt DC
Light colour:	WarmWhite
Colour rendering:	> 80 Ra
Luminous flux:	133 lm
Life span:	40,000 h (L80/B10)
Power consumption:	max. 1.8 W
Dimmable:	Yes/button
Beam angle:	70°
Half value angle:	60°
Test marks and symbols:	CE
Protection rating:	IP 20
Supply lead:	1800 mm
Plug connector:	Mini connector M1

Light distribution diagram 60° - measured in black room



Assembly drawing





Switch systems

The right system for any installation

Gentle dimming of luminaires, suitable lighting scenes or lights that respond to movement.

Whether smart or conventional, our switching systems provide the right atmosphere at the right time.

However, our switching systems do not only work via Smart.home or remote control.

The light can also be switched on automatically using motion sensors or door contact switches.

Of course, they can also be operated with the push of a button.

You can easily operate your furniture lighting or integrate it into your smart home – without any particular technical skills.



On the **magic** YouTube channel you will find detailed installation instructions for many switching technology products.

For example, smart home settings or different transmitter-receiver configurations. Check it out for step-by-step instructions and practical tips on how to use the switches and light controls.



Smart receiver

Simply switch smart – in every situation

Our Smart receivers enable simple and intelligent lighting control. They work independently with the Halemeier remote control via TouchLink or optionally in the Smart Home via Zigbee 3.0 in combination with many other devices from well-known manufacturers in the Zigbee Alliance.

The Smart receivers not only receive signals, but also synchronise them wirelessly with each other (mesh). This allows you to set up large lighting systems with several lighting circuits or receivers.

Each Smart receiver increases the range and stability of the overall system.



Zigbee controller for controlling lights

- Uses the Zigbee 3.0 protocol
- Supports Zigbee TouchLink
- Adding devices to the self-configuring Zigbee Touchlink network possible
- Compatible with Zigbee Gateway universal products
- Compatible with Zigbee universal remote controls



Smart receiver

Features

- ▶ Memory function for power failure
- ▶ ON-/OFF function and dimming
- ▶ Can be combined with up to 30 transmitters and receivers
- ▶ Smart Home integrable

Order information

- ▶ Suitable switches can be found on the following pages



Zigbee receiver

- Uses the Zigbee 3.0 protocol
- Supports Zigbee TouchLink
- Add devices to the self-configuring ZigBee Touchlink network
- Compatible with Zigbee Gateway universal products
- Compatible with Zigbee universal remote controls

Article overview



Smart Receiver 12 Volt DC 31 100 01
Smart Receiver MultiWhite 12 Volt DC 31 118 01

- ▶ 1-Channel receiver
- ▶ Switching capacity up to 36 watts

Dimension drawing see page 139
 Dimension drawing MultiWhite see page 147



Smart Receiver 12 Volt DC 4-Channel 31 101 01

- ▶ 4-Channel receiver
- ▶ Switching capacity up to 4x36 watts

Dimension drawing see page 143

Article overview



Smart Receiver MultiWhite 12 VDC w. 30 W ballast and 6-way distributor 31 131 01

- ▶ 1-Channel receiver with electronic ballast and 6-way distributor for MultiWhite lights
- ▶ Switching capacity up to 30 watts

Dimension drawing see page 149



Smart Receiver 12 VDC with 60 W ballast and 9-way distributor 31 106 01
Smart Receiver MultiWhite 12 VDC w. 60 W ballast and 9-way distributor 31 128 01

- ▶ 1-Channel receiver with hard-wired ballast and 9-way distributor
- ▶ Switching capacity up to 60 watts

Dimension drawing see page 141
 Dimension drawing Multiwhite see page 147



Smart Receiver 24 Volt DC 31 102 01
Smart Receiver MultiWhite 24 Volt DC 31 118 03

- ▶ 1-channel receiver
- ▶ Switching capacity up to 120 watts

Dimension drawing see page 139
 Dimension drawing Multiwhite see page 147



Smart Receiver 24 Volt DC 4-channel 31 103 01

- ▶ 4-Channel receiver
- ▶ Switching capacity up to 4x72 watts

Dimension drawing see page 141



Smart Receiver 230 Volt AC with Euro flat plug 31 104 01

- ▶ Receiver with Euro flat plug
- ▶ Switching capacity up to 500 watts

Dimension drawing see page 139



X-Mitter Smart

Product advantages

- ▶ 1-Channel wireless switch and dimmer
- ▶ Comfortable light switching
- ▶ Smart Home integrable

Features

- ▶ Memory function for power failure
- ▶ Set works independently or in the Smart Home network
- ▶ Remote control and smart receiver are programmed into the set

Ordering information

- ▶ Set consists of X-Mitter Smart Remote Control and Smart Receiver
- ▶ 230 Volt AC Receiver can only switch on/off, not dim
- ▶ The Smart.home overview page shows how our switching systems can be combined with each other and with third-party providers
- ▶ The sets can be combined and supplemented with other zigbee transmitters from the magic range

X-Mitter Smart

X-Mitter Smart Remote Control with drilling ring	31 107 01
X-Mitter Smart Set 12 Volt DC	31 108 01
X-Mitter Smart Set 230 Volt AC with Euro flat plug	31 110 01
X-Mitter Smart Set 24 Volt DC	31 109 01

Accessories

Smart Receiver 12 Volt DC	31 100 01
Smart Receiver 230 Volt AC with Euro flat plug	31 104 01
Smart Receiver 24 Volt DC	31 102 01
Smart Receiver 12 Volt DC with 60 W ballast and 9-way distributor	31 106 01

Technical details



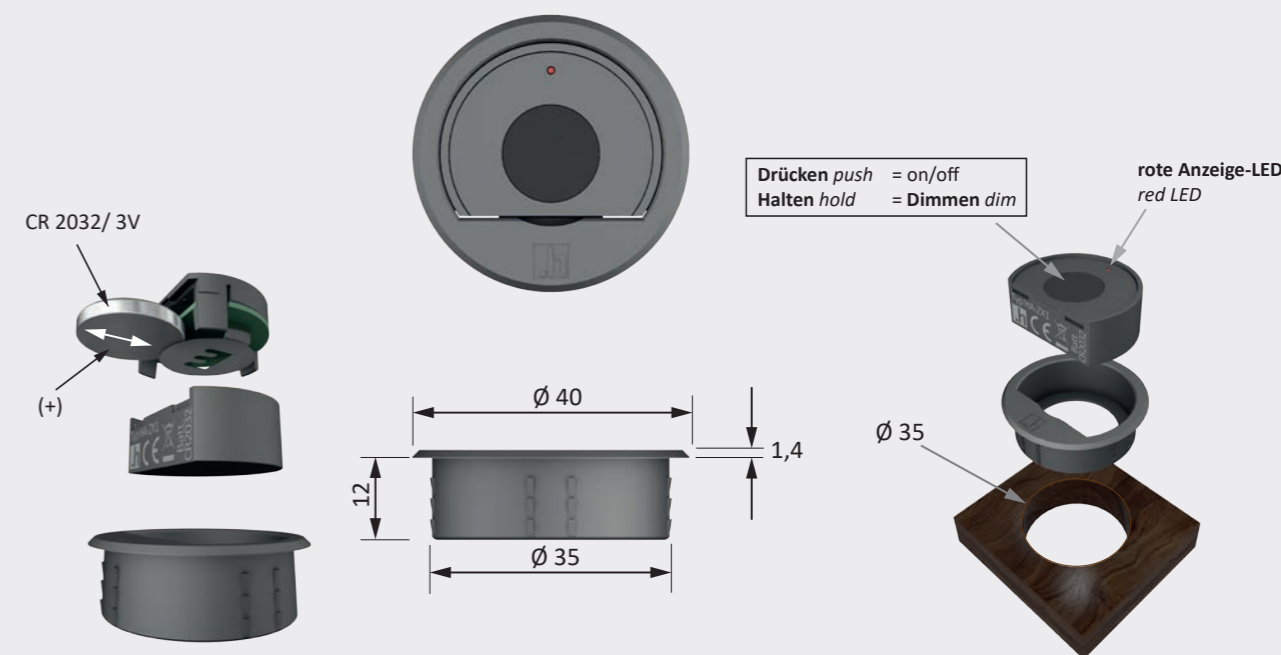
Surface finish: Black
 Operating voltage: 12 Volt DC / 24 Volt DC / 230 Volt AC
 Switching capacity: 36 W / 120 W / 500 W
 Test marks and symbols:
 Supply lead: see drawing
 Lead output: see drawing
 Standby: < 0.3 W / < 0.5 W



Zigbee controller for controlling lights

- Uses the Zigbee 3.0 protocol
- Supports Zigbee TouchLink
- Add devices to the self-configuring ZigBee Touchlink network
- Compatible with Zigbee Gateway universal products
- Compatible with Zigbee universal remote controls

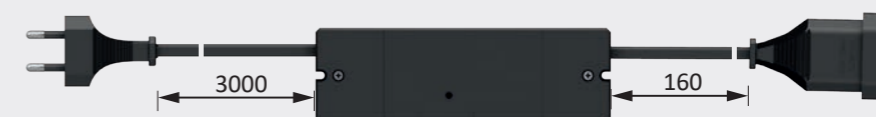
Assembly drawing



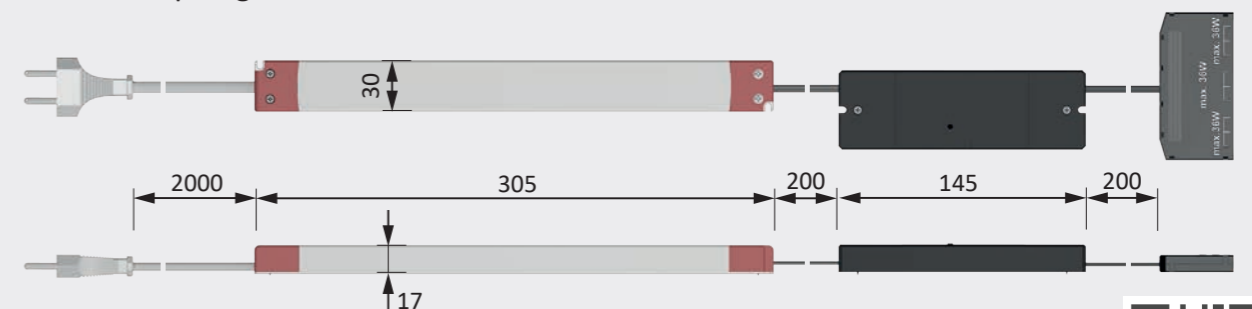
31.100.01 / 31.102.01 Smart Empfänger smart receiver 12VDC/24VDC



31.104.01 Smart Empfänger smart receiver 230VAC (keine Dimmfunktion no dimming)



31.106.01 Erweiterungsset extension set 12VDC 60 Watt, Empfänger und EVG receiver and electronic ballast





S-Mitter Smart

Product advantages

- ▶ 5-Channel wireless switch and dimmer
- ▶ Comfortable light switching
- ▶ Smart Home integrable

Features

- ▶ Memory function for power failure
- ▶ Storage of up to 4 light scenes
- ▶ Remote control and smart receiver are programmed into the set
- ▶ Set works independently or in the Smart Home network

Ordering information

- ▶ Set consists of S-Mitter Smart Remote Control and 1-Channel Smart Receiver
- ▶ 230 Volt AC Receiver can only switch on/off, not dim
- ▶ The Smart.home overview page shows how our switching systems can be combined with each other and with third-party providers
- ▶ The sets can be combined and supplemented with other Zigbee transmitters from the magic range.

S-Mitter Smart

S-Mitter MultiWhite Smart Remote Control	31 114 01
S-Mitter Smart Set 12 Volt DC	31 111 01

Accessories

Smart Receiver 12 Volt DC	31 100 01
Smart Receiver 12 Volt DC 4-Channel	31 101 01
Smart Receiver 230 Volt AC with Euro flat plug	31 104 01
Smart Receiver 24 Volt DC	31 102 01
Smart Receiver 24 Volt DC 4-Channel	31 103 01
Smart Receiver 12 Volt DC with 60 W ballast and 9-way distributor	31 106 01

Technical details



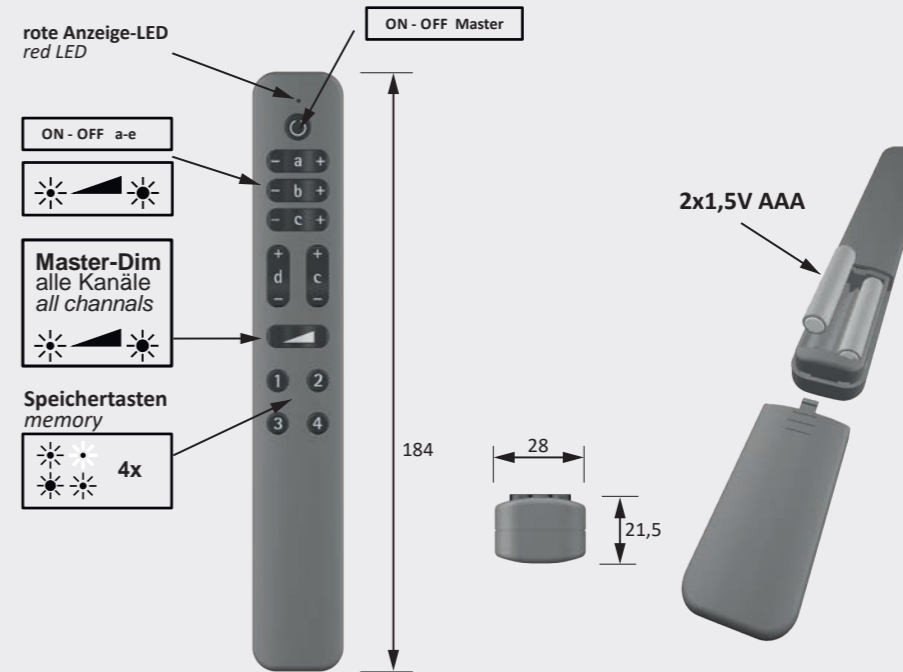
Surface finish:	Black
Operating voltage:	12 Volt DC / 24 Volt DC / 230 Volt AC
Switching capacity:	36 W / 120 W / 500 W
Test marks and symbols:	CE, RoHS, Energy Star
Supply lead:	see drawing
Lead output:	see drawing
Standby:	< 0.3 W / < 0.5 W



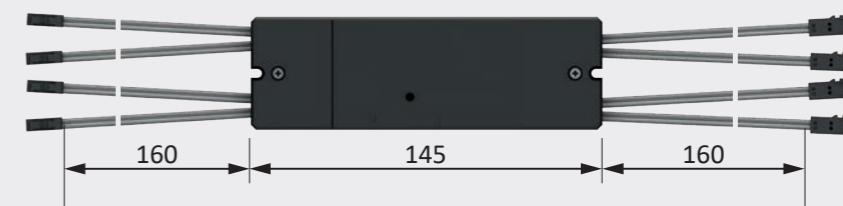
Zigbee controller for controlling lights

- Uses the Zigbee 3.0 protocol
- Supports Zigbee TouchLink
- Add devices to the self-configuring ZigBee Touchlink network
- Compatible with Zigbee Gateway universal products
- Compatible with Zigbee universal remote controls

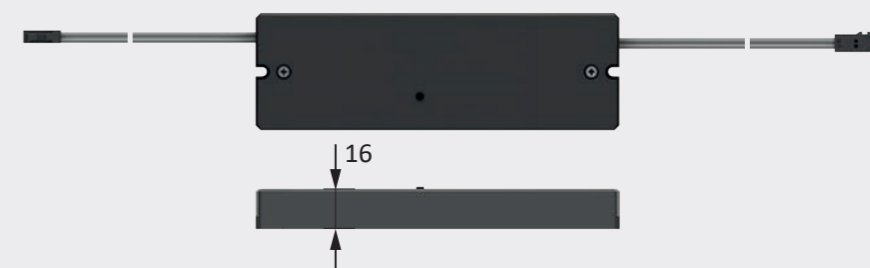
Assembly drawing



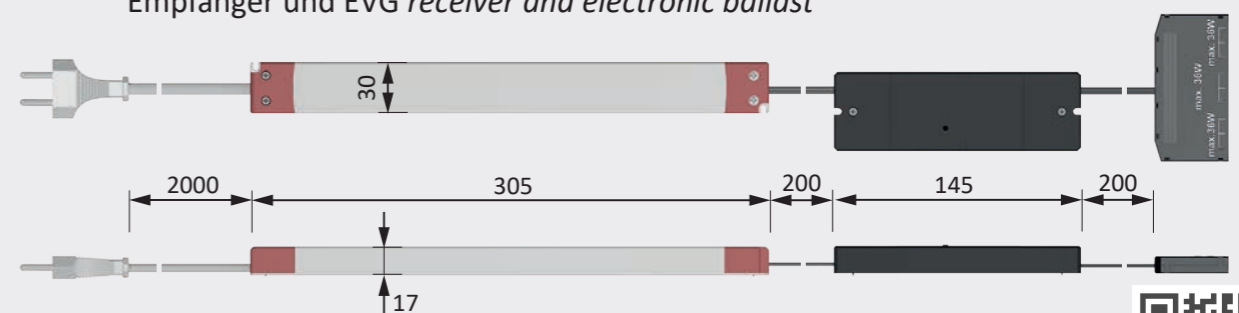
31.101.01 / 31.103.01 Smart Empfänger 4-Kanal smart receiver 4-channel 12VDC/24VDC



31.100.01 / 31.102.01 Smart Empfänger 1-Kanal smart receiver 1-channel 12VDC/24VDC



31.106.01 Erweiterungsset extension set 12VDC 60 Watt, Empfänger und EVG receiver and electronic ballast





4-Mitter Smart

Product advantages

- ▶ 4-Channel wireless switch and dimmer
- ▶ Comfortable light switching
- ▶ Smart Home integrable

Features

- ▶ Memory function for power failure
- ▶ Storage of 2 light scenes
- ▶ Remote control and smart receiver are programmed into the set
- ▶ Set works independently or in the Smart Home network

Ordering information

- ▶ Set consists of 4-Mitter Smart Remote Control and Smart Receiver
- ▶ The Smart.home overview page shows how our switching systems can be combined with each other and with third-party providers.

4-Mitter Smart

4-Mitter Smart Remote Control	31 117 01
4-Mitter Smart 4-Channel Radio Switch Set 12 Volt DC	31 115 01

Accessories

Wall Mount Smart Basic, magnetic	36 257 01
Smart Receiver 12 Volt DC	31 100 01
Smart Receiver 12 Volt DC 4-Channel	31 101 01
Smart Receiver 24 Volt DC	31 102 01
Smart Receiver 24 Volt DC 4-Channel	31 103 01
Smart Receiver 12 Volt DC with 60 W ballast and 9-way distributor	31 106 01

Technical details



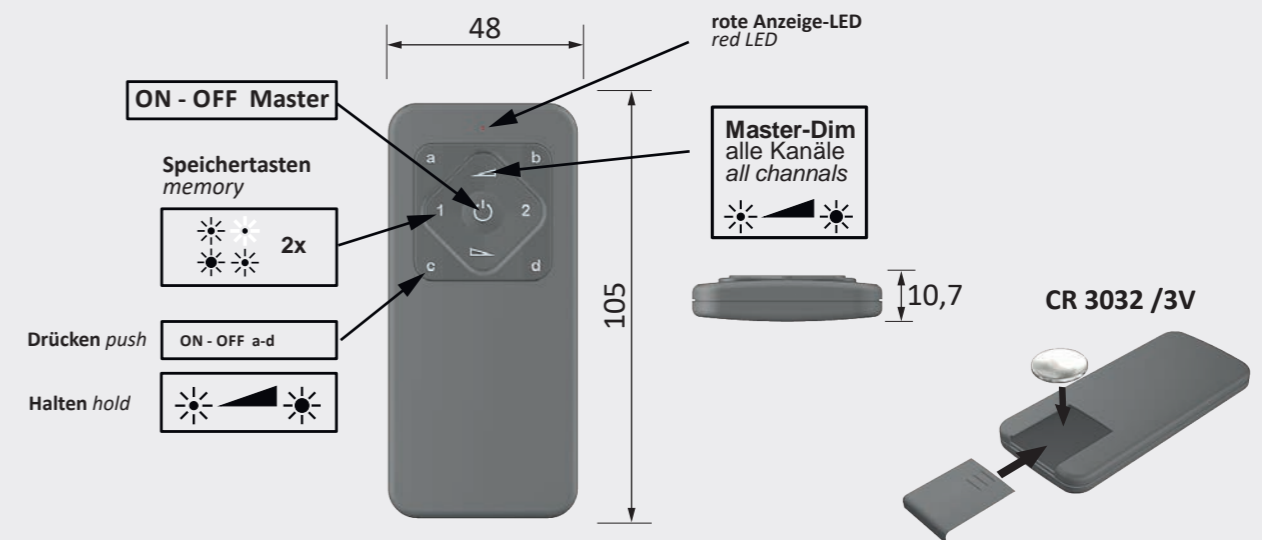
Surface finish:	Black
Operating voltage:	12 Volt DC / 24 Volt DC
Switching capacity:	36 W / 120 W
Test marks and symbols:	CE
Supply lead:	see drawing
Lead output:	see drawing
Standby:	< 0.3 W / < 0.5 W



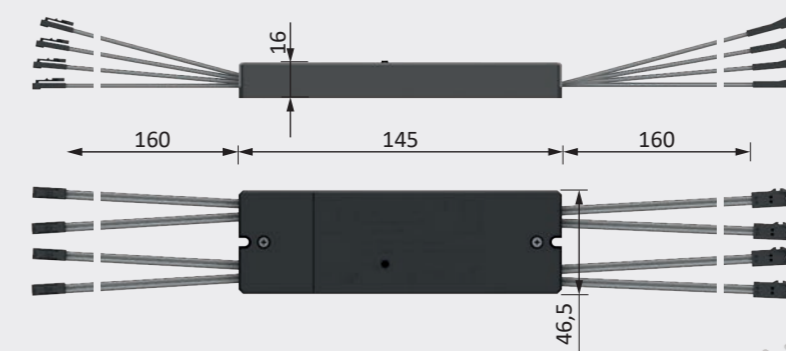
Zigbee controller for controlling lights

- Uses the Zigbee 3.0 protocol
- Supports Zigbee TouchLink
- Add devices to the self-configuring ZigBee Touchlink network
- Compatible with Zigbee Gateway universal products
- Compatible with Zigbee universal remote controls

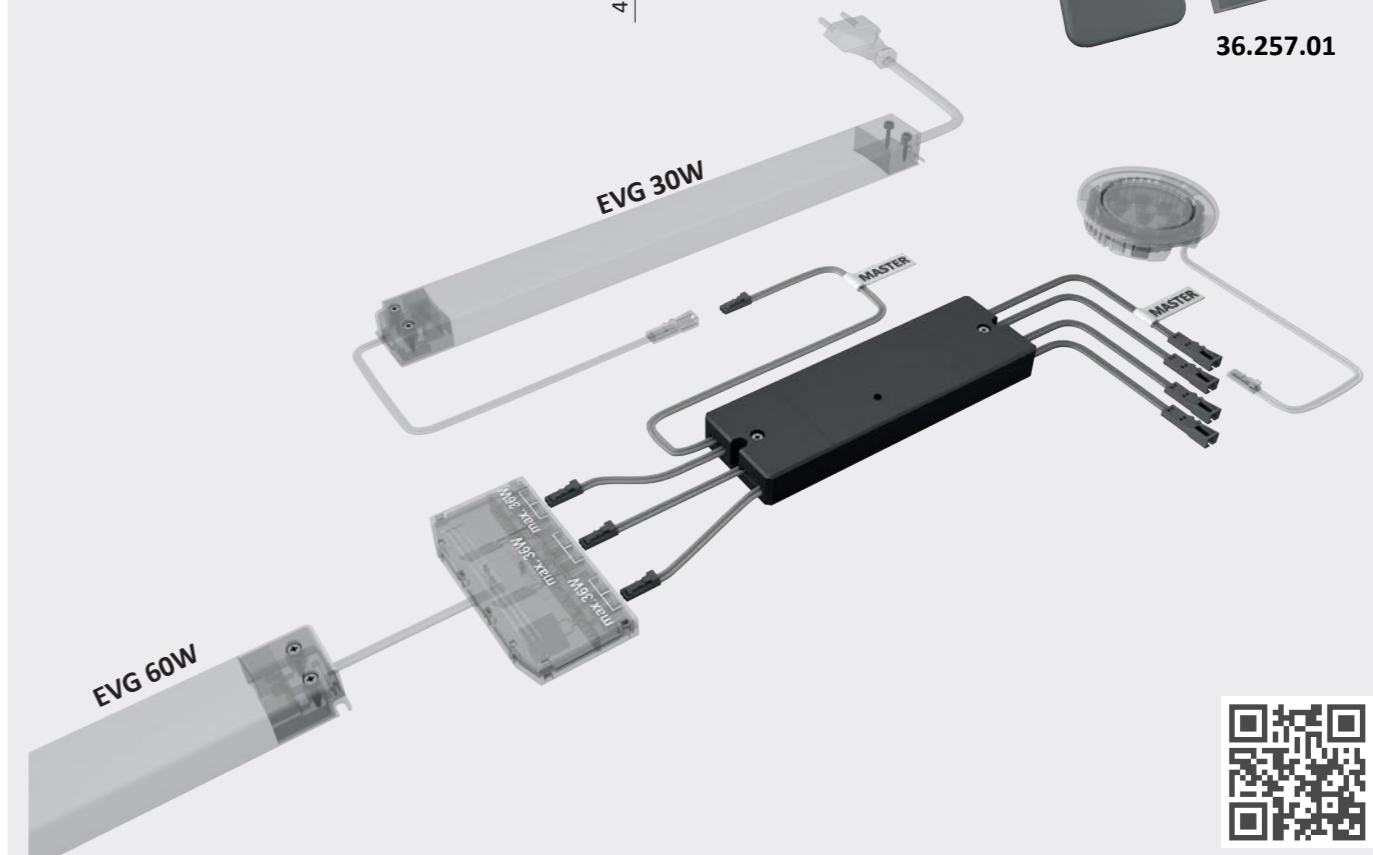
Assembly drawing



31.101.01 / 31.103.01 Smart Empfänger smart receiver 12VDC/24VDC



31.117.01





MultiWhite

Always the right light colour

Warm or cool white light? Bright and fresh light for preparing and cooking food. When the dish is ready, the light changes to cosy WarmWhite.

With MultiWhite, light colours and moods can be changed according to requirements – smart wireless solutions make it possible. When you have found your preferred light settings, simply save them so you can call up the same light scenes whenever you want them.

By choosing MultiWhite you're always on the safe side. If customer wishes or requirements change, you can react completely flexibly with the product.

MultiWhite can also be easily adapted to existing luminaires.



From ExtraWarmWhite to CoolWhite – MultiWhite is always the right choice



S-Mitter MultiWhite Smart

Product advantages

- ▶ 4-Channel wireless switch and dimmer
- ▶ Continuous change of light colour from cool white to extra warm white
- ▶ Smart Home integrable

Features

- ▶ Memory function for power failure
- ▶ Storage of up to 4 light scenes
- ▶ Remote control and smart receiver are programmed into the set
- ▶ Set works independently or in the Smart Home network

Ordering information

- ▶ Set consists of S-Mitter Smart Remote Control and 1-channel Smart Receiver
- ▶ Plus Set consists of S-Mitter Smart Remote Control, 4-channel Smart Receiver and a 60 W ballast
- ▶ The Smart.home overview page shows how our switching systems can be combined with each other and with third-party providers
- ▶ The sets can be combined and supplemented with other Zigbee transmitters from the magic range

S-Mitter MultiWhite Smart

S-Mitter MultiWhite Smart Remote Control	31 122 01
S-Mitter MultiWhite Smart Set	31 120 01
S-Mitter MultiWhite Smart Set Plus 4-channel with 60 W ballast	31 121 02

Accessories

Smart Receiver MultiWhite 12 Volt DC 1-Channel	31 118 01
Smart Receiver MultiWhite 24 Volt DC 1-Channel	31 118 03
Smart Receiver MultiWhite 12 Volt DC with 30 W ballast and 6-way distributor	31 131 01
Smart Receiver MultiWhite 12 Volt DC with 60 W ballast and 9-way distributor	31 128 01

Technical details



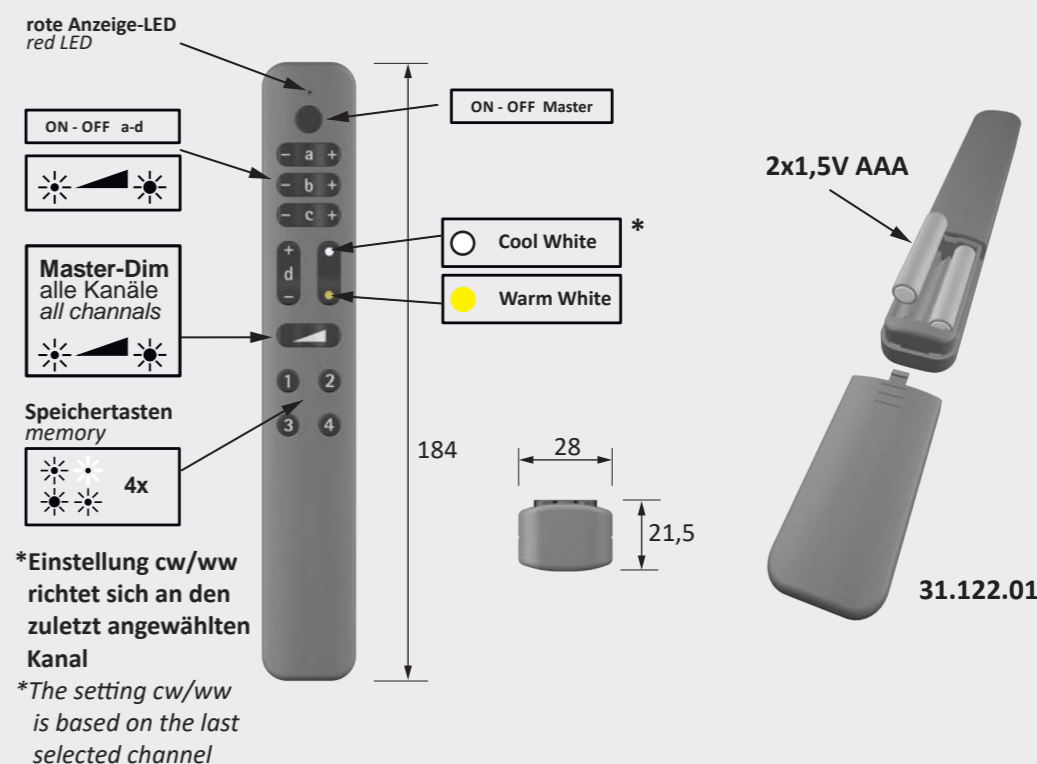
Surface finish: Black
 Operating voltage: 12 Volt DC / 24 Volt DC
 Switching capacity: 36 W / 60 W / 120 W
 Test marks and symbols:
 Supply lead: see drawing
 Lead output: see drawing
 Standby: < 0.3 W



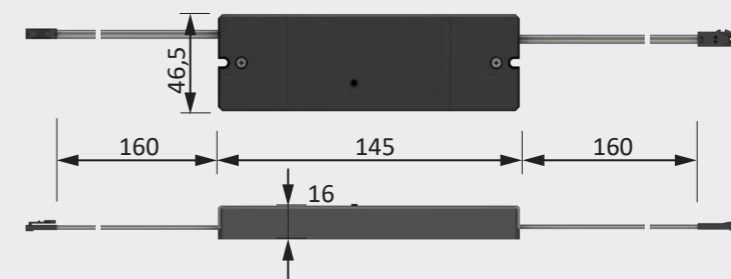
ZigBee controller for the control of MultiWhite lights via 2-wire system

- Uses the Zigbee 3.0 protocol
- Supports Zigbee TouchLink
- Adding devices to the self-configuring
- Zigbee Touchlink network possible
- Compatible with Zigbee Gateway universal products
- Compatible with CCT Zigbee universal remote controls

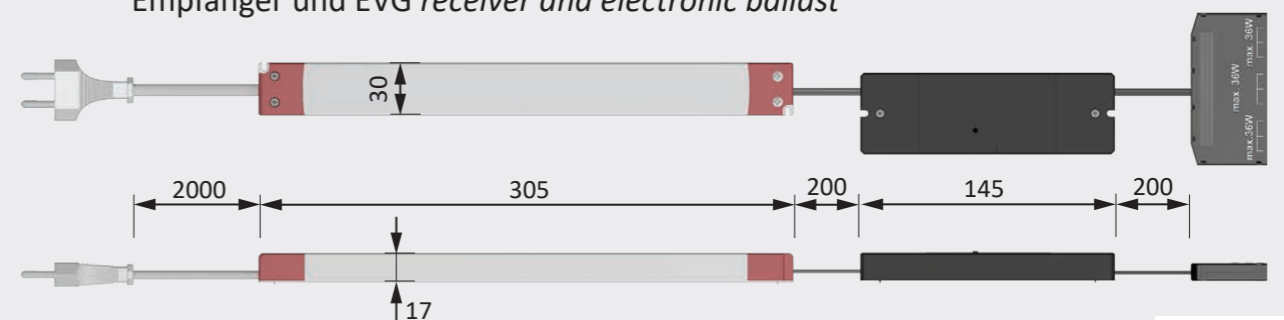
Assembly drawing



31.118.01 / 31.118.03 Smart Empfänger smart receiver 12VDC/24VDC



31.128.01 Erweiterungsset extension set 12VDC 60 Watt, Empfänger und EVG receiver and electronic ballast





S-Mitter Basic MultiWhite Smart

Product advantages

- ▶ 1-channel wireless switch and dimmer
- ▶ Continuous change of light colour from cool white to extra warm white
- ▶ Smart Home integrable

Features

- ▶ Memory function for power failure
- ▶ Storage of up to 4 light scenes
- ▶ Remote control and smart receiver are programmed into the set
- ▶ Set works independently or in the Smart Home network

Ordering information

- ▶ Set consists of S-Mitter Basic Smart Remote Control and Smart Receiver
- ▶ Plus Set consists of S-Mitter Basic Smart Remote Control, Smart Receiver and a 60 W ballast
- ▶ The Smart.home overview page shows how our switching systems can be combined with each other and with third-party providers
- ▶ The sets can be combined and supplemented with other Zigbee transmitters from the magic range.

S-Mitter Basic MultiWhite Smart

S-Mitter MultiWhite Basic Smart Remote Control	31 125 01
S-Mitter Basic MultiWhite Smart Set	31 123 01
S-Mitter Basic MultiWhite Smart Set Plus with 60 W ballast	31 124 01

Accessories

Wall Mount Smart Basic, magnetic	36 257 01
Smart Receiver MultiWhite 12 Volt DC 1-Channel	31 118 01
Smart Receiver MultiWhite 12 Volt DC with 30 W ballast and 6-way distributor	31 131 01
Smart Receiver MultiWhite 12 Volt DC with 60 W ballast and 9-way distributor	31 128 01

Technical details



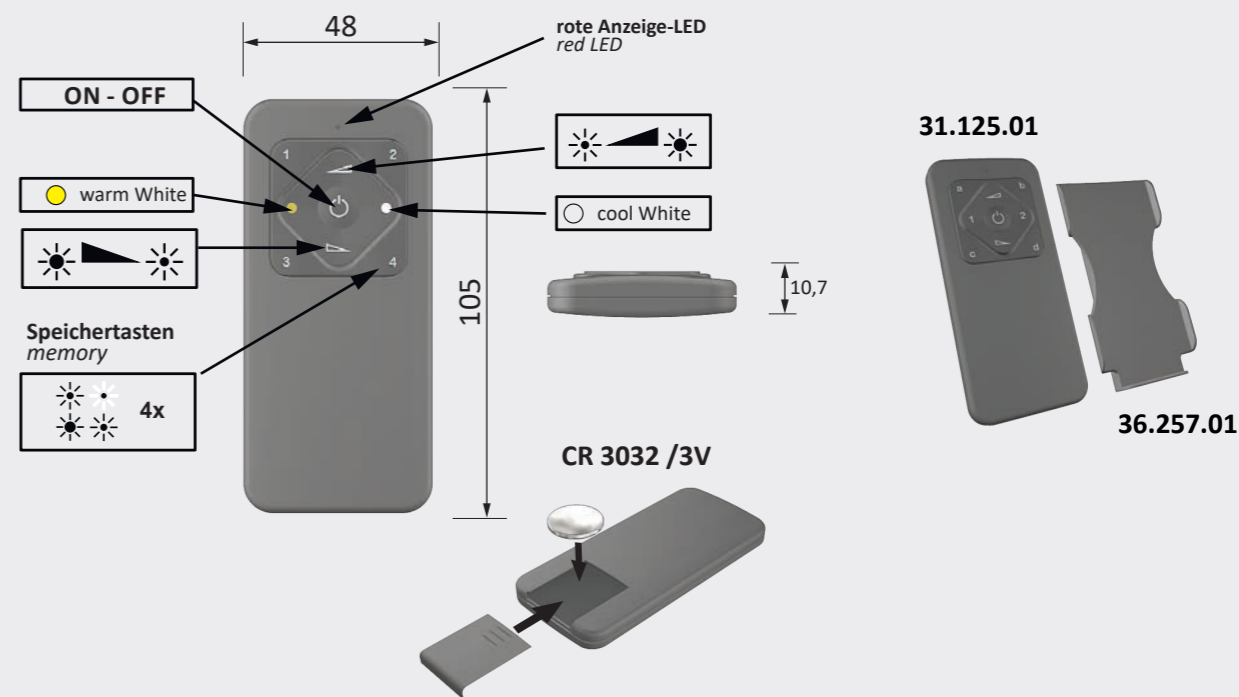
Surface finish:	Black
Operating voltage:	12 Volt DC / 24 Volt DC
Switching capacity:	36 W / 60 W / 120 W
Test marks and symbols:	CE
Supply lead:	see drawing
Lead output:	see drawing
Standby:	< 0.3 W



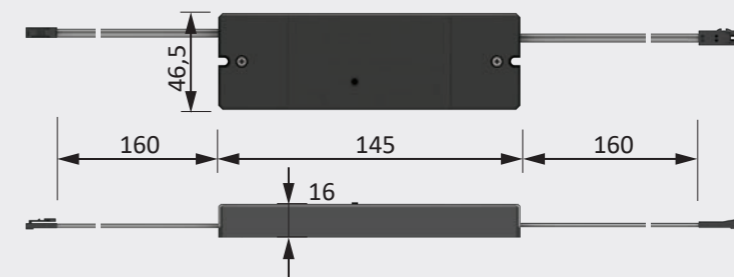
ZigBee controller for the control of MultiWhite lights via 2-wire system

- Uses the Zigbee 3.0 protocol
- Supports Zigbee TouchLink
- Adding devices to the self-configuring
- Zigbee Touchlink network possible
- Compatible with Zigbee Gateway universal products
- Compatible with CCT Zigbee universal remote controls

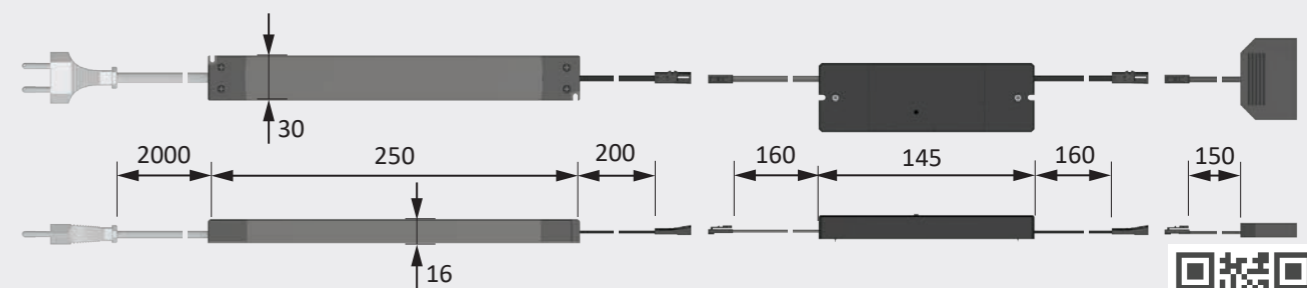
Assembly drawing



31.118.01 / 31.118.03 Smart Empfänger smart receiver 12VDC/24VDC

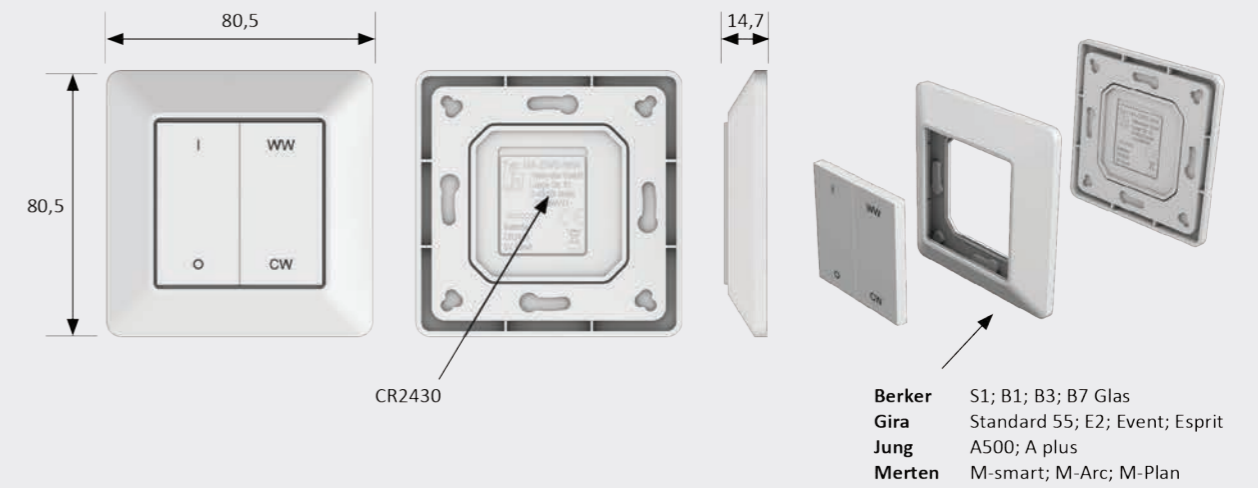


31.131.01 Erweiterungsset extension set 12VDC 30 Watt, Empfänger und EVG receiver and electronic ballast





Assembly drawing



Smart wall transmitter

- Product advantages**
- ▶ 1-channel wireless switch and dimmer
 - ▶ Continuous change of light colour from cool white to extra warm white
 - ▶ Smart Home integrable

- Features**
- ▶ Fits into mounting frames of leading switch manufacturers
 - ▶ No drilling required for cavity wall box

- Ordering information**
- ▶ Can be connected to all 1-channel Smart Receivers
 - ▶ The Smart.home overview page shows how our switching systems can be combined with each other and with third-party providers.

Technical details

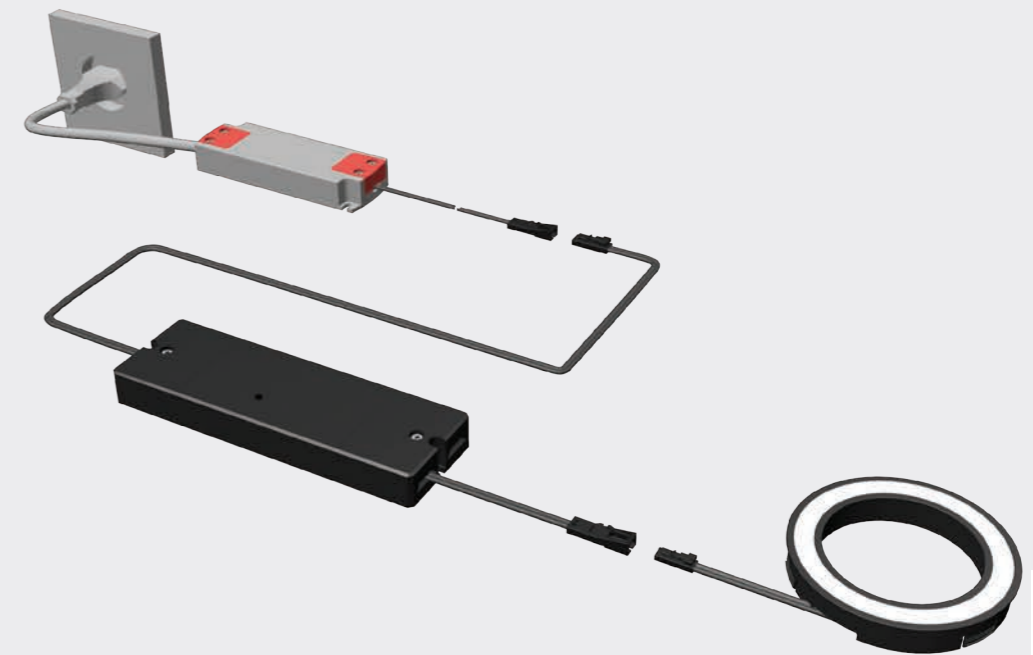
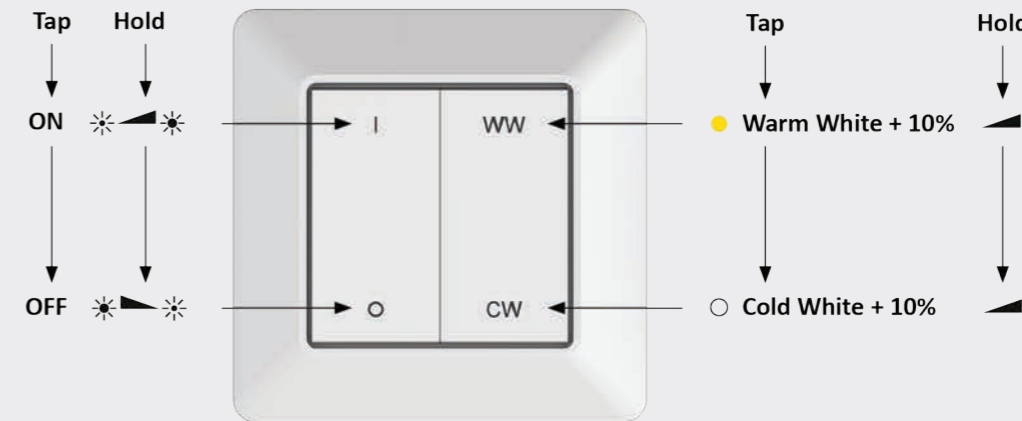


Surface finish: White
 Operating voltage: 3 Volt
 Test marks and symbols: CE



ZigBee controller for the control of MultiWhite lights via 2-wire system

- Uses the Zigbee 3.0l protocol
- Supports Zigbee TouchLink
- Adding devices to the self-configuring Zigbee Touchlink network possible
- Compatible with Zigbee Gateway universal products
- Compatible with CCT Zigbee universal remote controls



Smart wall transmitter

Smart wall transmitter	31 163 01
------------------------	-----------

Accessories

Smart Receiver MultiWhite 12 Volt DC 1-Channel	31 118 01
Smart Receiver MultiWhite 24 Volt DC 1-Channel	31 118 03
Smart Receiver MultiWhite 12 Volt DC with 30 W ballast and 6-way distributor	31 131 01
Smart Receiver MultiWhite 12 Volt DC with 60 W ballast and 9-way distributor	31 128 01



Microwave motion detector

Product advantages

- ▶ Motion sensor for drilling into place
- ▶ Available with and without brightness detection

Features

- ▶ Works with smart receivers or in the smart home network
- ▶ Version without brightness detection can also be installed concealed
- ▶ Range approx. 2.5 m
- ▶ Brightness detection switches at 0-10 Lux

Application

- ▶ Ideal for walk-in wardrobes without fronts

Order information

- ▶ Can be connected to all 1-channel smart Receivers

Microwave motion detector

Motion detector with brightness detection	31 164 10
Motion detector without brightness detection	31 164 20

Accessories

Smart Receiver 12 Volt DC	31 100 01
Smart Receiver 24 Volt DC	31 102 01
Smart Receiver 12 Volt DC with 60 W ballast and 9-way distributor	31 106 01

Technical details



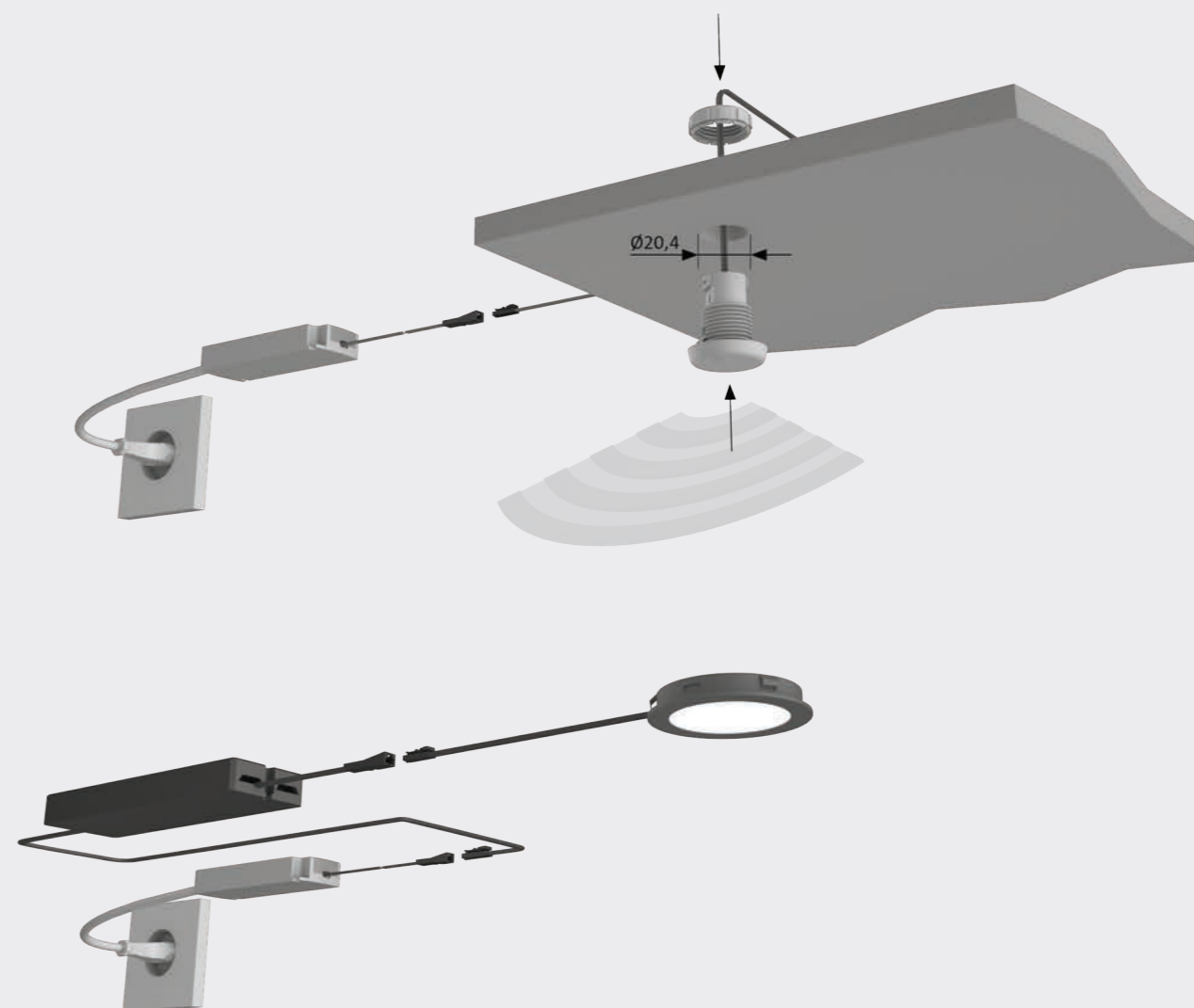
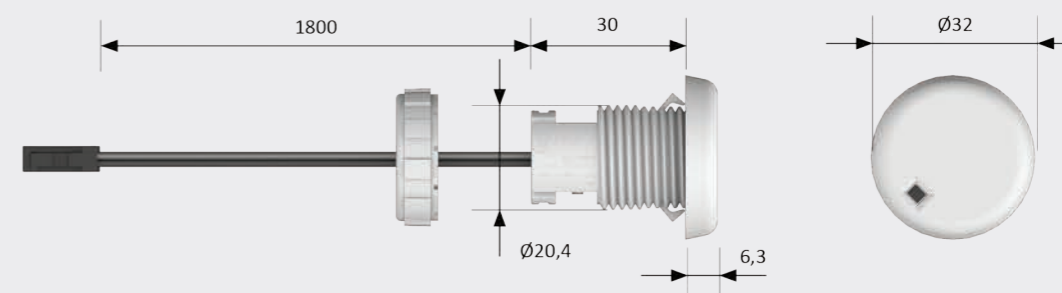
Operating voltage: 12 Volt DC
 Test marks and symbols:



Zigbee controller for controlling lights

- Uses the Zigbee 3.0 protocol
- Supports Zigbee TouchLink
- Add devices to the self-configuring ZigBee Touchlink network
- Compatible with Zigbee Gateway universal products
- Compatible with Zigbee universal remote controls

Assembly drawing





Basic Control MultiWhite

Product advantages

- ▶ Entrance-level wired MultiWhite control
- ▶ Changing the light colour from cool white to extra warm white possible

Application

- ▶ Can also be installed for one-time fine adjustment of lights after an on/off switch

Features

- ▶ dimming function
- ▶ With built-in orientation LED
- ▶ Memory function in case of power failure

Basic Control MultiWhite

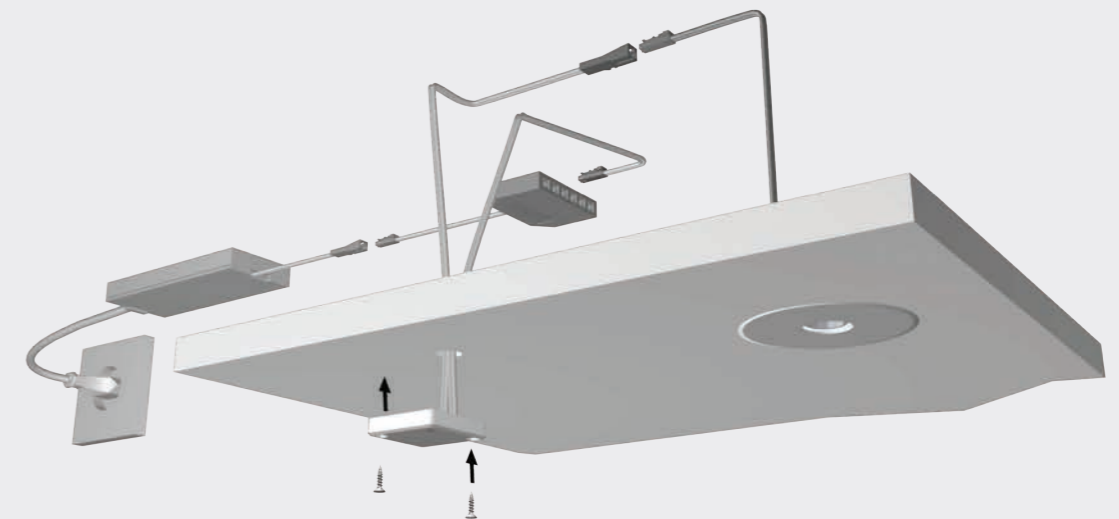
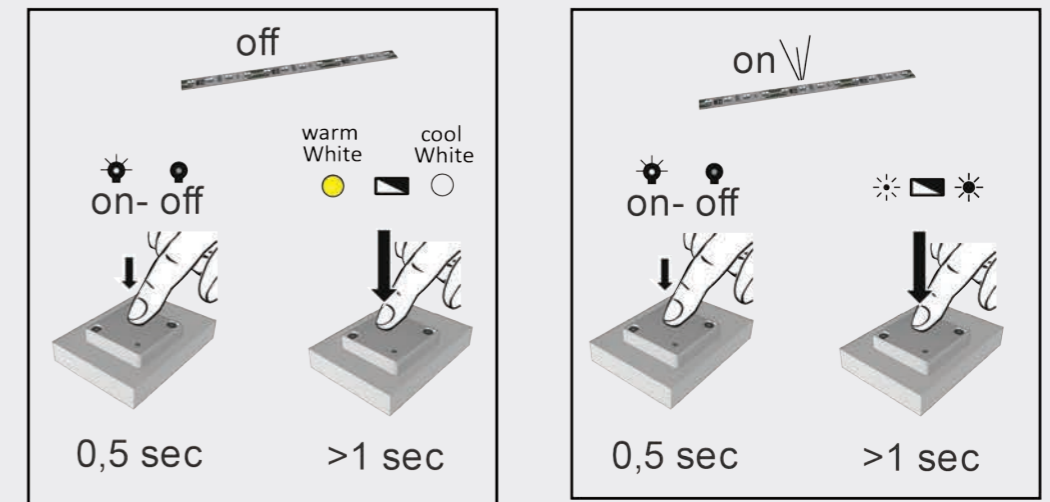
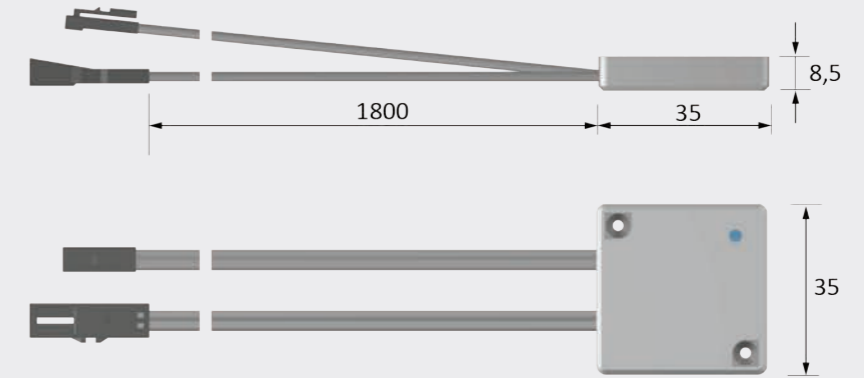
Basic Control MultiWhite	30 775 01
--------------------------	-----------

Technical details



Surface finish:	Black
Operating voltage:	12 Volt DC
Switching capacity:	36 W
Test marks and symbols:	CE Ⓢ
Supply lead:	1800 mm
Primary connector:	Mini connector M1
Lead output:	1800 mm
Standby:	< 0.3 W
Secondary connector:	Mini connector M1

Assembly drawing





Basic Touch Control MultiWhite

Product advantages

- ▶ Changing the light colour from cool white to extra warm white possible
- ▶ Sensor for drilling or screwing

Features

- ▶ Memory function for power failure
- ▶ Optional mounting housing included

Basic Touch Control MultiWhite

Basic Touch Control MultiWhite Plus with 60 W ballast

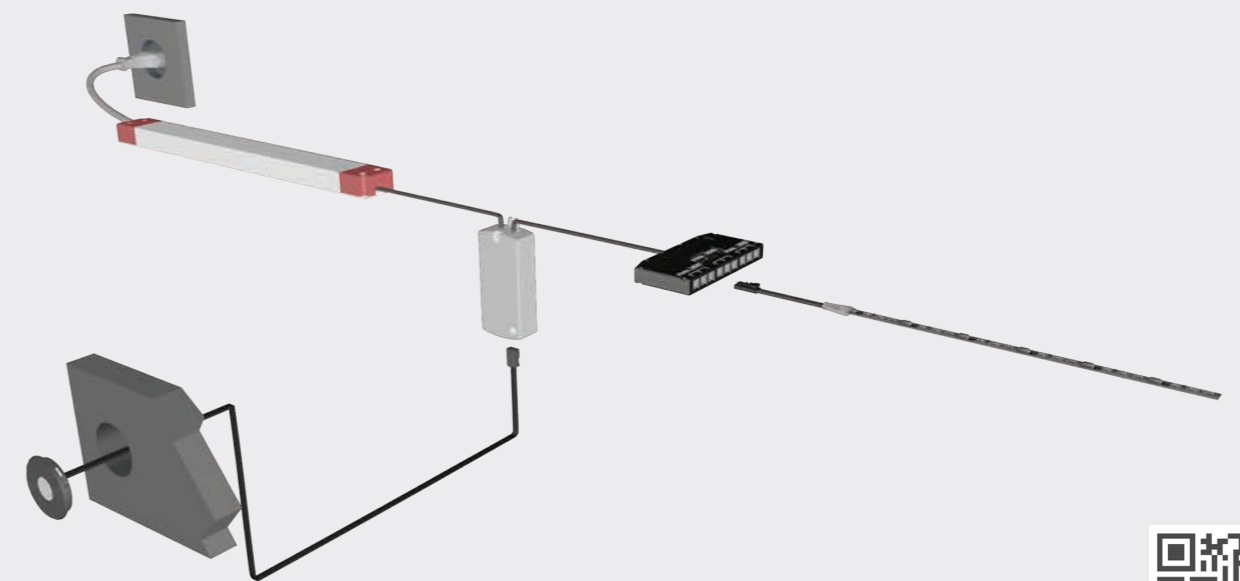
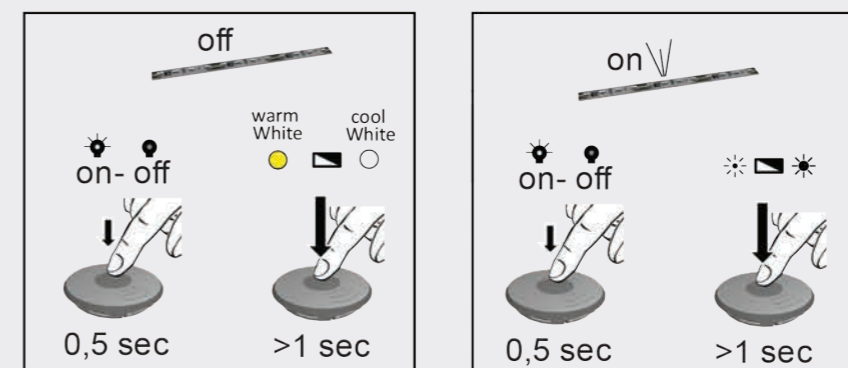
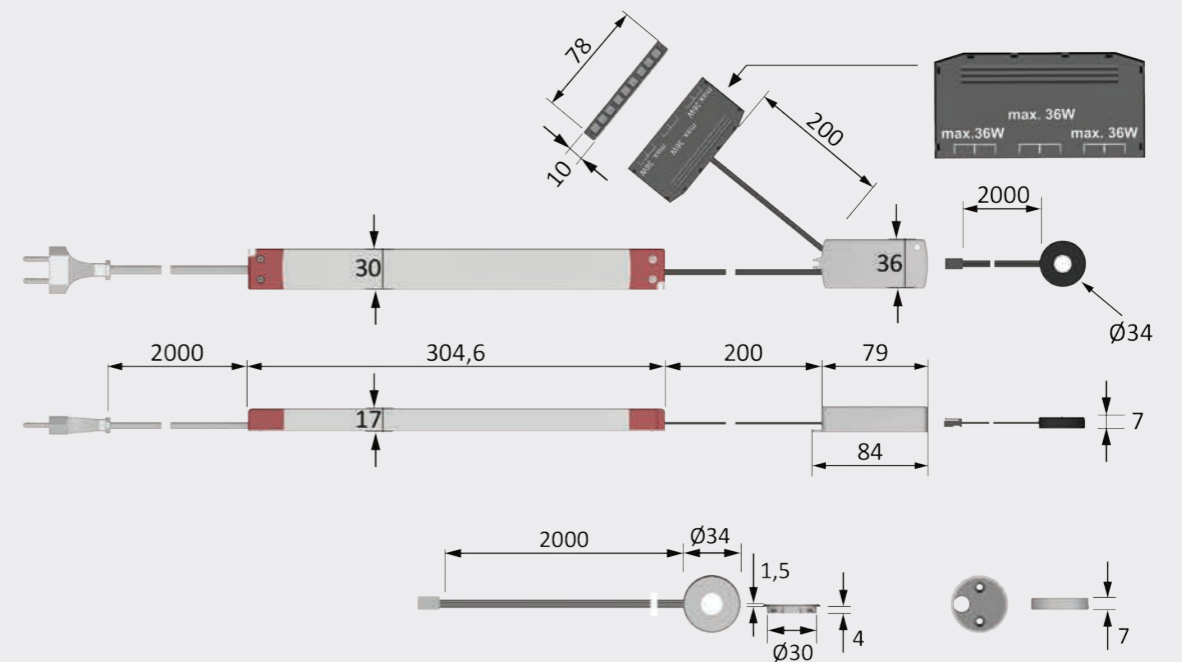
40 271 03

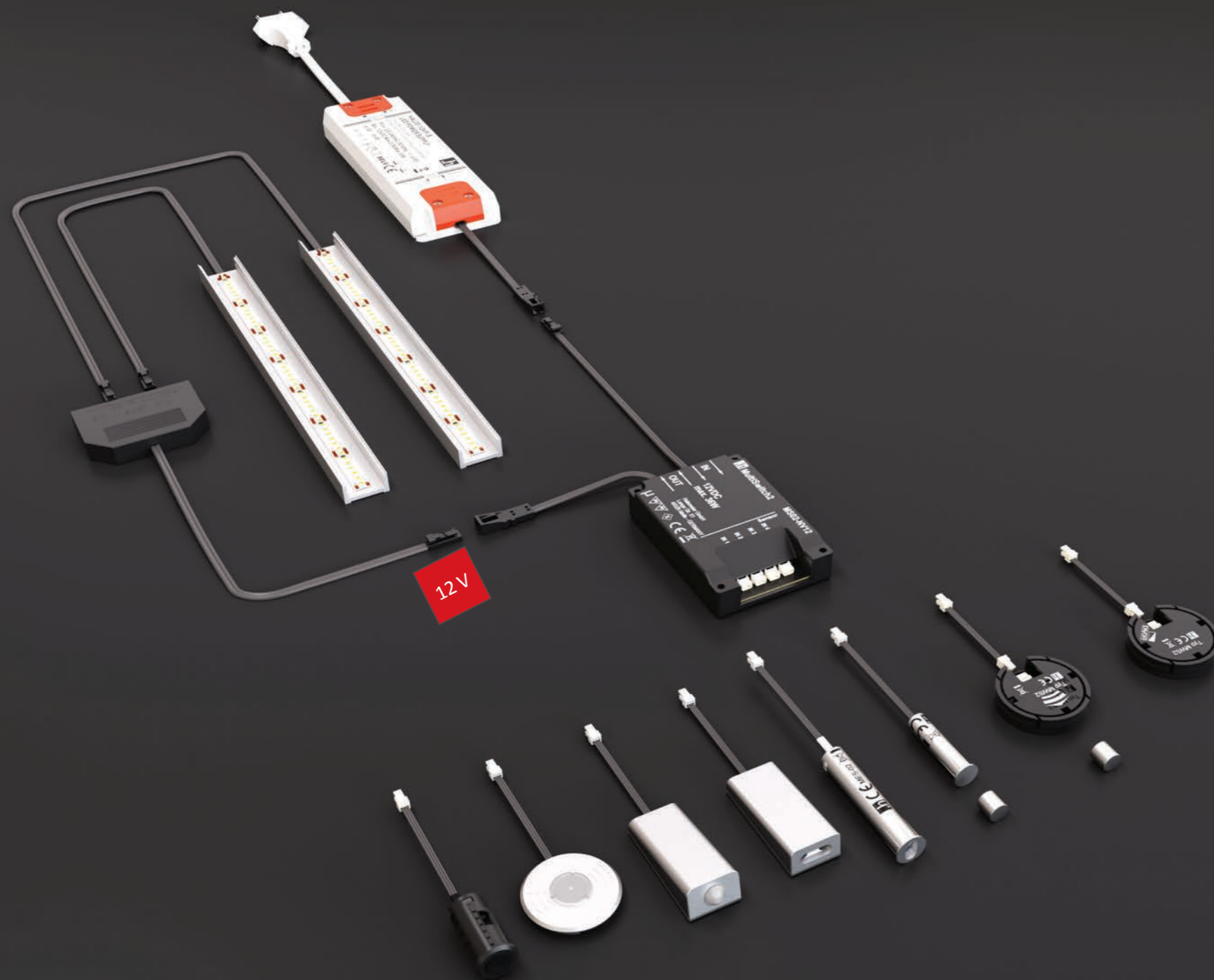
Technical details



Surface finish: Black
 Operating voltage: 12 Volt DC
 Test marks and symbols: CE

Assembly drawing





MultiSwitch

Simple. Automatic. Switching.

We have further developed our proven MultiSwitch and equipped it with additional highlights. Now with 4 sensor inputs to monitor 4 doors simultaneously or to switch from different locations.

New MultiSwitch sensors



Push button with dimming function for drilling (in trendy black)



Sensor switch with dimming function for installation or screwing on (optionally in aluminium look or in black)



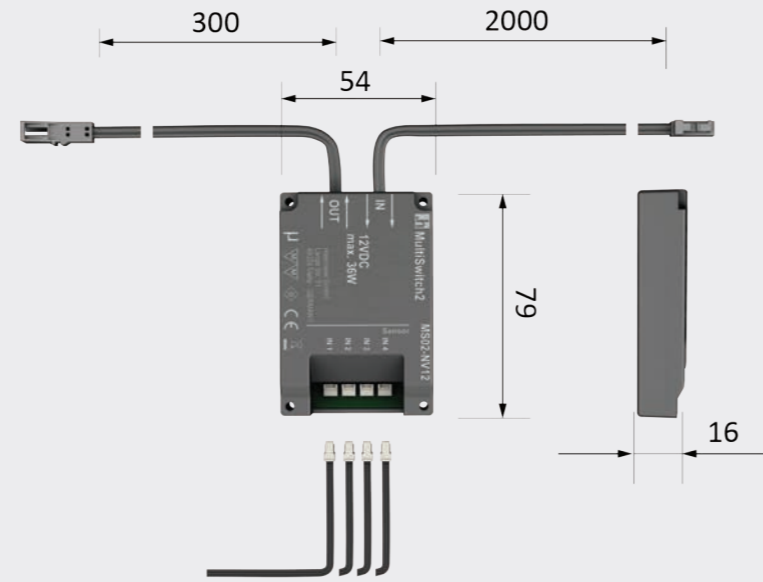
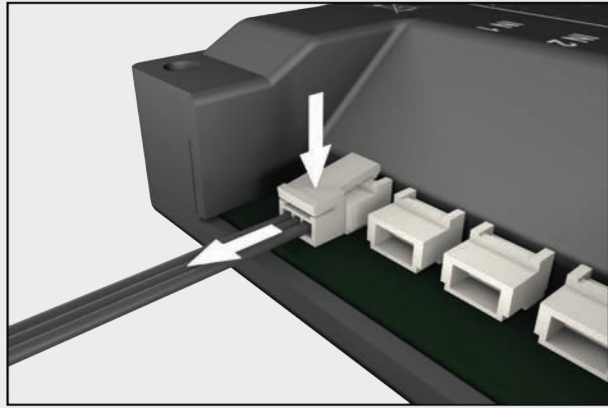
Revised magnetic sensor for insertion into pot holes (magnetic sensor, optionally also as drill-in sensor)



Invisible MagicSwitch switches and dims and is invisible behind the surface

Overview of MultiSwitch sensors						
	MultiSwitch Contact	MultiSwitch magnet	MultiSwitch PIR	MultiSwitch Push button r	MultiSwitch Touch	MultiSwitch MagicSwitch
Installation/ attachment	✓ / ✓	✓ / -	- / ✓	✓ / -	✓ / ✓	✓ / ✓
Soft ON / OFF function	✓ **	✓ **	✓ **	✓ **	✓ **	✓ **
Door contact	✓	✓	-	-	-	-
Movement	✓	-	✓	-	-	-
Dimming/ Dimming can be switched off	- *	- *	- *	✓ / ✓	✓ / ✓	✓ / ✓
Invisible installation	-	✓	-	-	-	✓
Alternating switch	✓ ***	-	-	✓	✓	✓

* Only possible with separate dimmer and only in conjunction with the MultiSwitch Master Vario
 ** When connected to the MultiSwitch Master 12 Volt or 24 Volt; with MultiSwitch Master Vario or 230 Volt only ON/OFF function
 *** Possible when using the mounting sensor



MultiSwitchMaster

Advantages

- ▶ Connection of 1 - 4 sensors to a master unit
- ▶ 8 sensor types to choose from

Order information

- ▶ suitable sensors can be found on the following pages

Examples of use

- ▶ Master unit for switching via sensors, e.g. as a door contact switch, contactless sensor switch, or invisible dimmer switch

The MultiSwitch system offers a wide range of options for switching lighting. Up to 4 similar sensors can be connected to a MultiSwitch and act as a dimmer, touch element or contactless IR switch.

Thanks to 8 different sensor types, the MultiSwitch is the solution for automatic switching. The sensors can be installed partially invisibly or used as changeover switches.

Depending on the application and performance requirements, 5 different masters are available (see article overview). To make the right selection, define which power is required for the lighting. Then select the appropriate sensor. For the MultiSwitch Master 12 Volt DC, the switching capacity can be increased as required by one or more repeaters (see page 26).

Only when using the MultiSwitch Master Vario 12 Volt DC can the switching function be supplemented with an upstream dimmer or a MultiWhite control. The connected sensor is then only used to switch on and off. The intensity of the light is defined via a separate dimmer, the colour and brightness of the MultiWhite light via the MultiWhite control. The sensor always activates the lighting in the set intensity and colour.

Video explanation

In addition to the information in this catalogue, the MultiSwitch Master and sensors are also presented in a video.

Master units



Sensors



Technical details



For use with: LED lights
 Max. switching power: 12 Volt DC-36 W
 24 Volt DC-120 W
 230 Volt AC-500 W
 Test marks and symbols: CE
 Master unit supply lead: HV 3000 mm
 LV 2000 mm
 Switching lead: HV 150 mm
 LV 300 mm
 Standby: <0.5 W
 Plug connector: LED connector M1/
 MP2/Euroflat

Article overview



Master unit 230 Volt AC-500 W with Euro flat plug

30 141 01

- ▶ ON/OFF function
- ▶ Memory function for power failure
- ▶ Combination with dimmers secondary possible
- ▶ Switches all 230 volt consumers up to 500 watts



Master unit 12 Volt DC-60 W incl. ballast

30 146 01

- ▶ Soft ON/OFF function (soft-start when power on/off)
- ▶ Memory function for power failure
- ▶ Not compatible with dimmers
- ▶ Switches all 12 volt consumers up to 60 watts



Master unit 12 Volt DC-36 W

30 142 01

- ▶ Soft ON/OFF function (soft-start when power on/off)
- ▶ Memory function for power failure
- ▶ Not compatible with dimmers
- ▶ Switches 12 Volt DC lights up to 36 Watt
- ▶ Switching capacity can be extended with repeaters



Master unit Vario 12 Volt DC-36 W

30 144 01

- ▶ ON/OFF function
- ▶ Memory function for power failure
- ▶ Switches MultiWhite lights up to 36 watts, dimming and colour adjustment possible using upstream MultiWhite control
- ▶ Also switches single-coloured lights up to 36 watts; dimmable using an upstream dimmer



Master unit 24 Volt DC-120 W

30 143 01

- ▶ Soft ON/OFF function (soft-start when power on/off)
- ▶ Memory function for power failure
- ▶ Not compatible with dimmers
- ▶ Switches 24 volt DC lights up to 120 watts



MultiSwitch MagicSwitch

Product advantages

- ▶ Invisible switch for range of applications
- ▶ Connection of 1 to 4 identical sensors to 1 master unit

Features

- ▶ Mounted on the back of the panel or incorporated into a 35 mm blind hole, the MagicSwitch detects the contact of the surface on the front of the panel and switches
- ▶ The MagicSwitch only works in conjunction with non-metallic surfaces and materials such as wood, glass and ceramics up to a material thickness of 19 mm

Application

- ▶ Switching ballasts and furniture lights
- ▶ As on/off switch as well as toggle switch
- ▶ Switching and dimming at 12/24 Volt DC
- ▶ Switching at 230 Volt AC and Vario

Order information

- ▶ Master unit is always required

MultiSwitch MagicSwitch

Magic Sensor	30 161 01
--------------	-----------

Accessories

Master unit 12 Volt DC – 36 W	30 142 01
Master unit 12 Volt DC – 60 W incl. ballast	30 146 01
Master unit 230 Volt AC – 500 W with Euro flat plug	30 141 01
Master unit 24 Volt DC – 120 W	30 143 01
Master unit Vario 12 Volt DC – 36 W	30 144 01
Repeater 12 Volt DC – 36 W	30 263 07
Extension lead sensor cable 3000 mm	36 830 01

Technical details



For use with: LED lights
 Max. switching power: 12 Volt DC-36 W
 24 Volt DC-120 W
 230 Volt AC-500 W

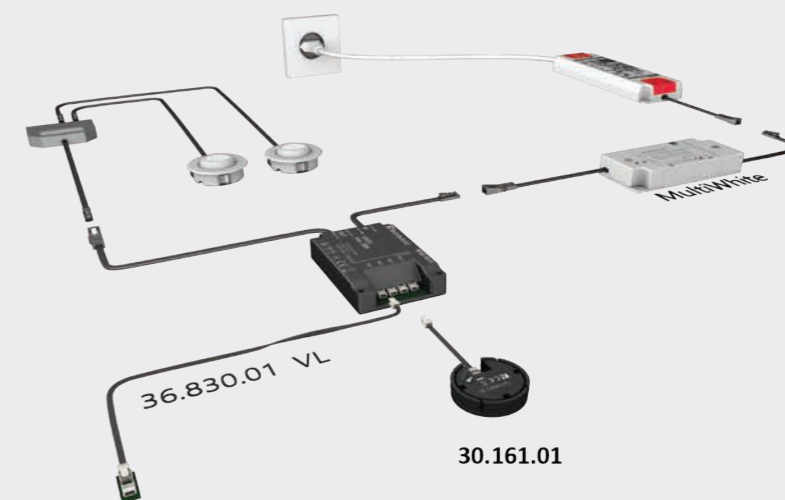
Test marks and symbols: CE

Master unit supply lead: HV 3000 mm
 LV 2000 mm
 HV 150 mm
 LV 300 mm

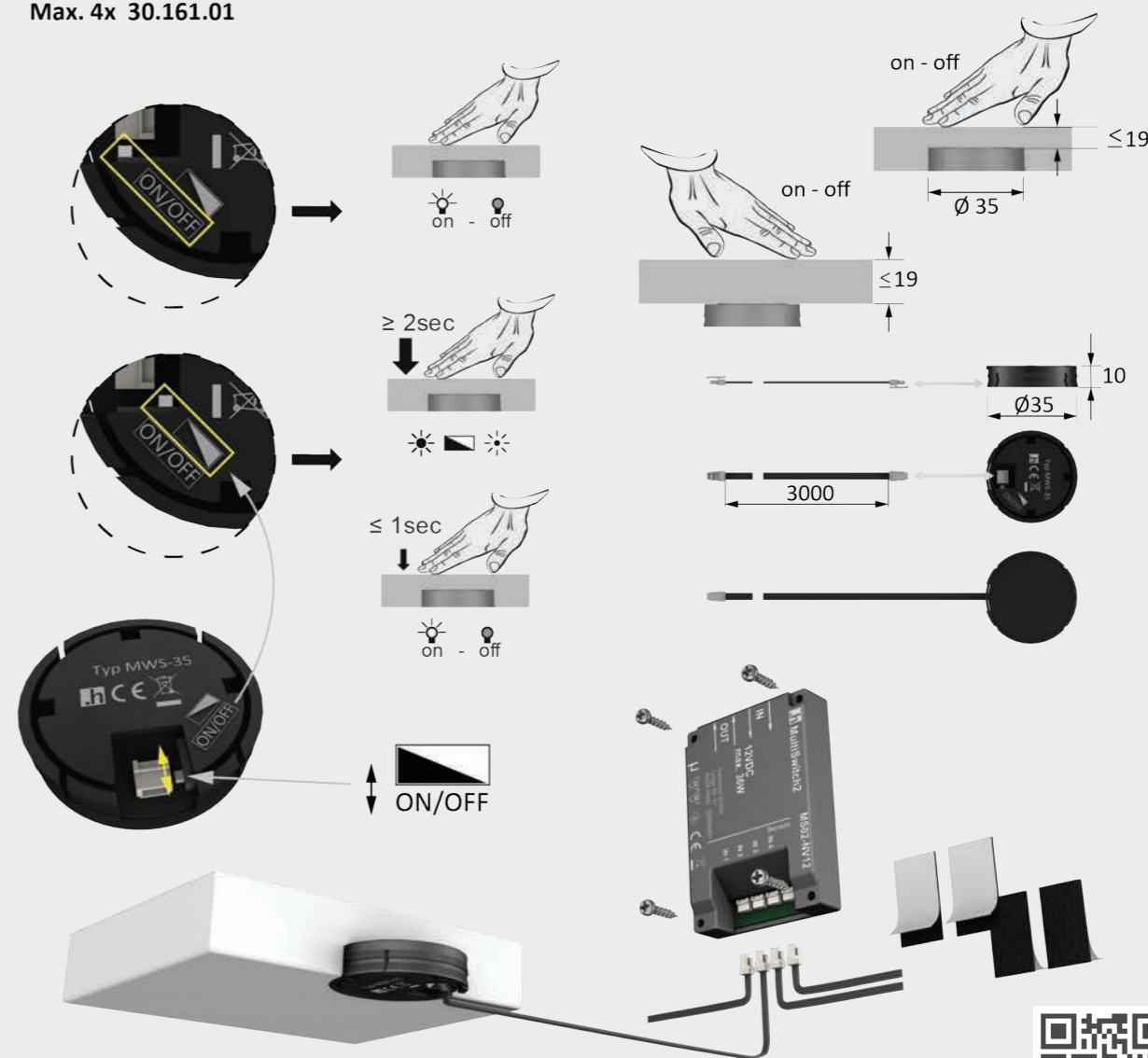
Switching lead: HV 150 mm
 LV 300 mm

Standby: <0.5 W - Master unit including sensors

Assembly drawing



Max. 4x 30.161.01





MultiSwitch contact

Product advantages

- ▶ Infrared sensor for drill-hole or surface mounting
- ▶ Connection of 1 to 4 identical sensors to 1 master unit

Features

- ▶ Soft ON/OFF function (soft start when switching on/off only at 12/24 Volt DC)
- ▶ Memory function for power failure
- ▶ Not for combination with dimmers

Application

- ▶ Door contact switch
- ▶ Touchless sensor switch (surface-mounted infrared sensor)
- ▶ The switch is perfectly installed in the subfloor above a work surface

Order information

- ▶ Master unit is always required

MultiSwitch contact

Infrared sensor for drilling (IR door contact switch, aluminium look), 8 mm diameter	30 150 51
Infrared sensor for drilling (IR door contact switch, black), 8 mm diameter	30 150 55
Screw-on infrared sensor (IR sensor or door contact switch, black)	30 151 05
Infrared sensor for screwing on (IR sensor or door contact switch, aluminium look)	30 151 01

Accessories

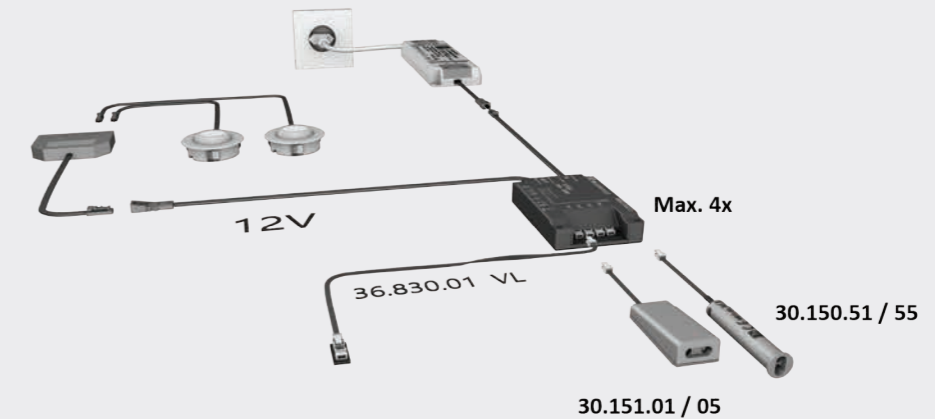
Master unit 12 Volt DC – 36 W	30 142 01
Master unit 12 Volt DC – 60 W incl. ballast	30 146 01
Master unit 230 Volt AC – 500 W with Euro flat plug	30 141 01
Master unit 24 Volt DC – 120 W	30 143 01
Master unit Vario 12 Volt DC – 36 W	30 144 01
Repeater 12 Volt DC – 36 W	30 263 07
Extension lead sensor cable 3000 mm	36 830 01

Technical details

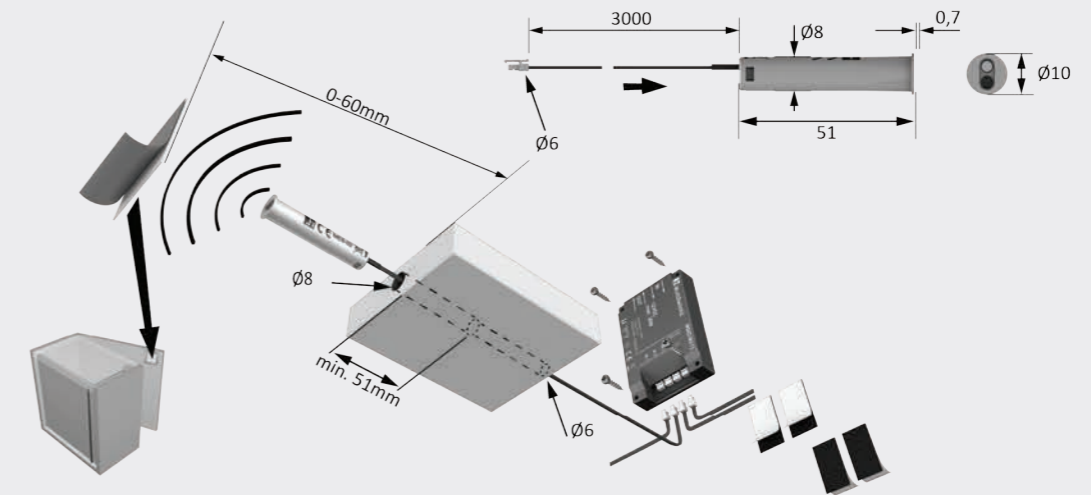


Surface finish: Black / Aluminium look
 For use with: LED lights
 Max. switching power: 12 Volt DC-36 W
 24 Volt DC-120 W
 230 Volt AC-500 W
 Test marks and symbols: CE
 Master unit supply lead: HV 3000 mm
 LV 2000 mm
 Switching lead: HV 150 mm
 LV 300 mm
 Standby: <0.5 W - Master unit including sensors

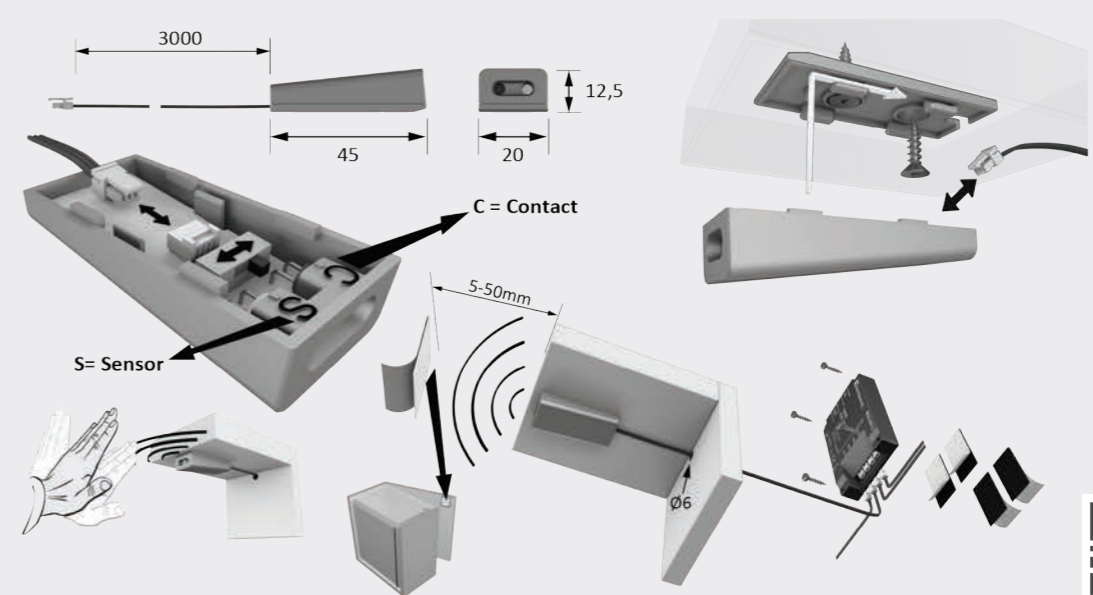
Assembly drawing



30.150.51 / 30.150.55



30.151.01 / 30.151.05





MultiSwitch Magnet

Product advantages

- ▶ Sensor for drilling, for insertion
- ▶ Invisible installation possible
- ▶ Connection of 1 to 4 identical sensors to 1 master unit

Features

- ▶ Soft ON/OFF function (soft start when switching on/off only at 12/24 Volt DC)
- ▶ Memory function for power failure
- ▶ Proximity switch with reed principle
- ▶ Penetrates up to 15 mm of material

Application

- ▶ Door contact switch
- ▶ Can be used behind edges

Order information

- ▶ Magnet included in delivery
- ▶ Master unit is always required
- ▶ With the magnet from the accessories, up to 80 mm distance can be bridged

MultiSwitch Magnet

Sensor for insertion into pot holes, 35mm diameter	30 162 01
Magnetic sensor for drilling in, aluminium look	30 156 01
Magnetic sensor for drilling in, black	30 156 05

Accessories

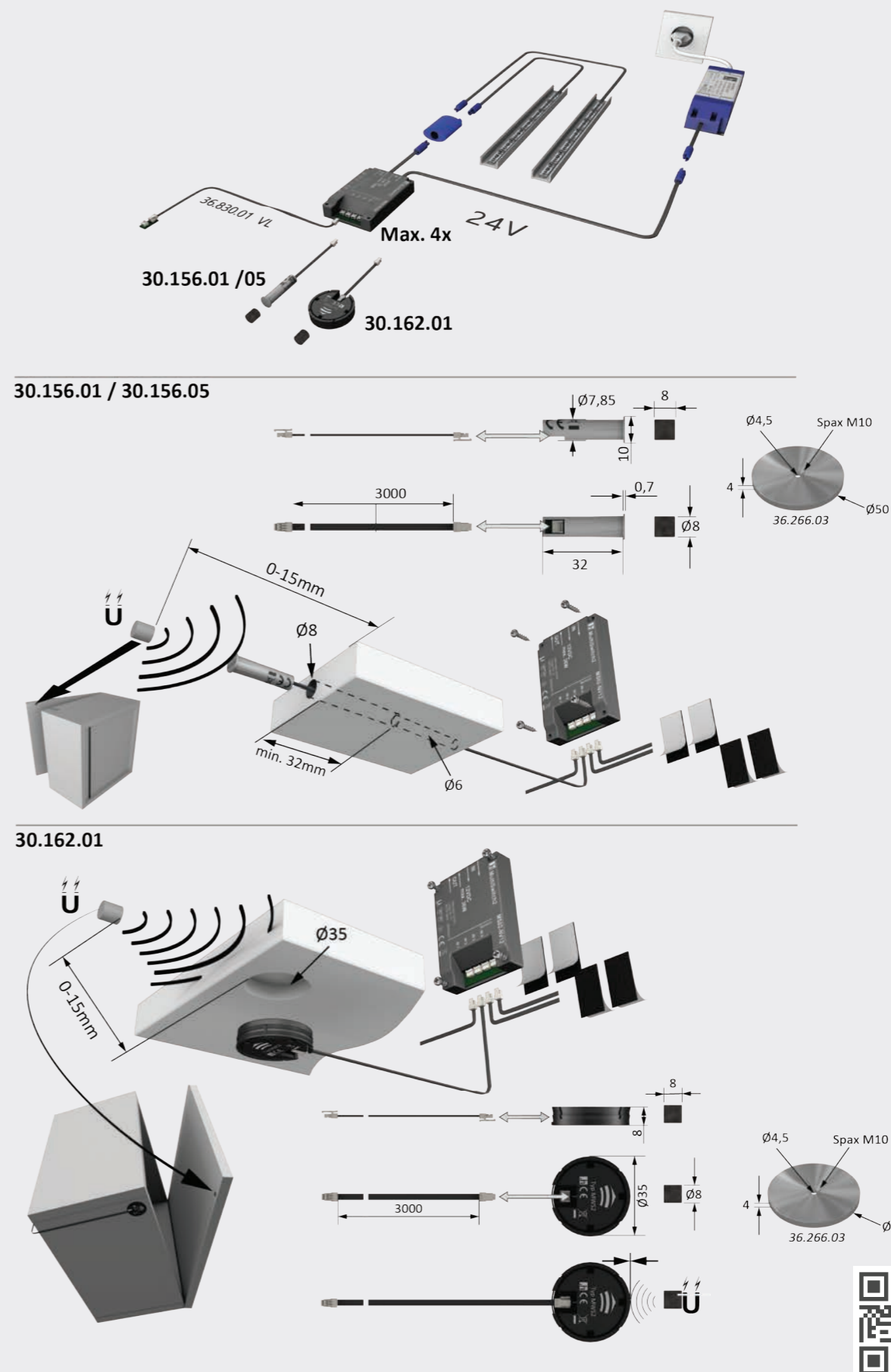
Master unit 12 Volt DC – 36 W	30 142 01
Master unit 12 Volt DC – 60 W incl. ballast	30 146 01
Master unit 230 Volt AC – 500 W with Euro flat plug	30 141 01
Master unit 24 Volt DC – 120 W	30 143 01
Master unit Vario 12 Volt DC – 36 W	30 144 01
Repeater 12 Volt DC – 36 W	30 263 07
Extension lead sensor cable 3000 mm	36 830 01
Magnet, penetrates up to 80 mm material	36 266 03

Technical details



Surface finish: Black / Aluminium look
 For use with: LED lights
 Max. switching power: 12 Volt DC-36 W
 24 Volt DC-120 W
 230 Volt AC-500 W
 Test marks and symbols: CE
 Master unit supply lead: HV 3000 mm
 LV 2000 mm
 Switching lead: HV 150 mm
 LV 300 mm
 Standby: <0.5 W - Master unit including sensors

Assembly drawing





MultiSwitch PIR

Product advantages

- ▶ Motion sensor for surface mounting
- ▶ Responds to heat and movement
- ▶ Connection of 1 to 4 identical sensors to 1 master unit

Features

- ▶ Soft ON/OFF function (soft start when switching on/off only at 12/24 Volt DC)
- ▶ Memory function for power failure
- ▶ Not for combination with dimmers

Application

- ▶ Ideal for walk-in wardrobes without fronts
- ▶ Problem solver for furniture in which no magnet or IR sensor can be used

Order information

- ▶ Master unit is always required

MultiSwitch PIR

Screw-on PIR sensor (motion sensor, black)	30 152 05
PIR sensor for surface mounting (motion sensor)	30 152 01

Accessories

Master unit 12 Volt DC – 36 W	30 142 01
Master unit 12 Volt DC – 60 W incl. ballast	30 146 01
Master unit 230 Volt AC – 500 W with Euro flat plug	30 141 01
Master unit 24 Volt DC – 120 W	30 143 01
Master unit Vario 12 Volt DC – 36 W	30 144 01
Repeater 12 Volt DC – 36 W	30 263 07
Extension lead sensor cable 3000 mm	36 830 01

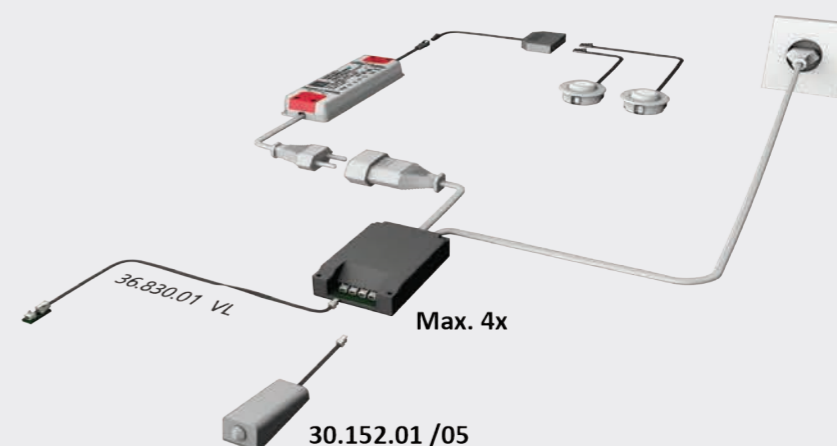
Technical details



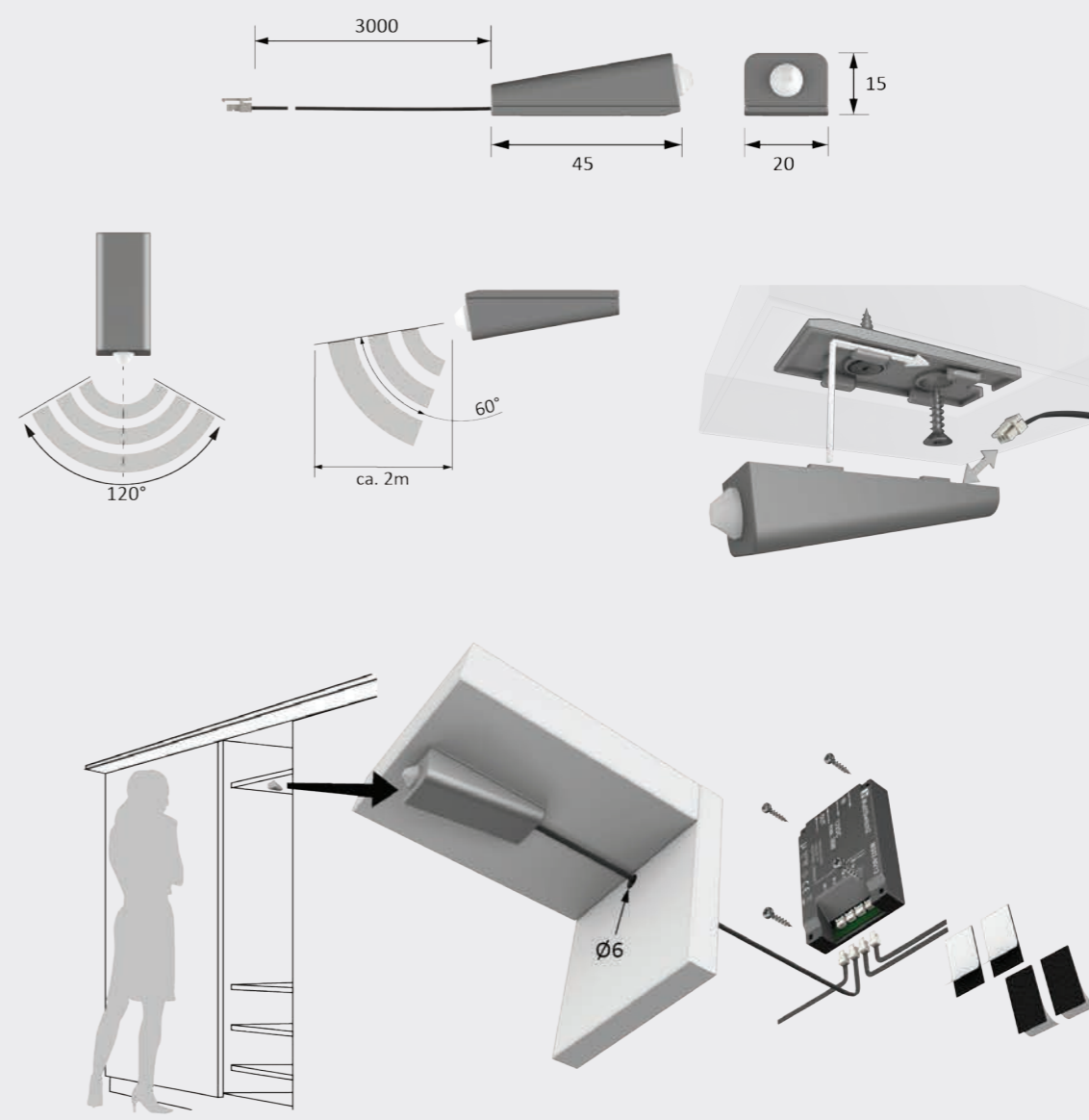
Surface finish: Black / Aluminium look
 For use with: LED lights
 Max. switching power: 12 Volt DC-36 W
 24 Volt DC-120 W
 230 Volt AC-500 W

Test marks and symbols: CE
 Motion sensor sensing angle: 120°
 Range: 2 m
 Stay-'ON' time: 30 seconds
 Master unit supply lead: HV 3000 mm
 LV 2000 mm
 Switching lead: HV 150 mm
 LV 300 mm
 Standby: <0.5 W - Master unit including sensors

Assembly drawing



30.152.01 / 30.152.05





MultiSwitch push button

Product advantages

- ▶ Push button with dimming function for drill-hole mounting
- ▶ Connection of 1 to 4 identical sensors to 1 master unit

Features

- ▶ Soft ON/OFF function (soft start when switching on/off only at 12/24 Volt DC)
- ▶ Memory function for power failure
- ▶ Dimming function can be switched off

Application

- ▶ As push button with and without dimming function
- ▶ As on/off switch as well as toggle switch
- ▶ Switching and dimming at 12/24 Volt DC
- ▶ Switching at 230 Volt AC and Vario

Order information

- ▶ Master unit is always required

MultiSwitch push button

Push button for drilling, black	30 153 05
---------------------------------	-----------

Accessories

Master unit 12 Volt DC – 36 W	30 142 01
Master unit 12 Volt DC – 60 W incl. ballast	30 146 01
Master unit 230 Volt AC – 500 W with Euro flat plug	30 141 01
Master unit 24 Volt DC – 120 W	30 143 01
Master unit Vario 12 Volt DC – 36 W	30 144 01
Repeater 12 Volt DC – 36 W	30 263 07
Extension lead sensor cable 3000 mm	36 830 01

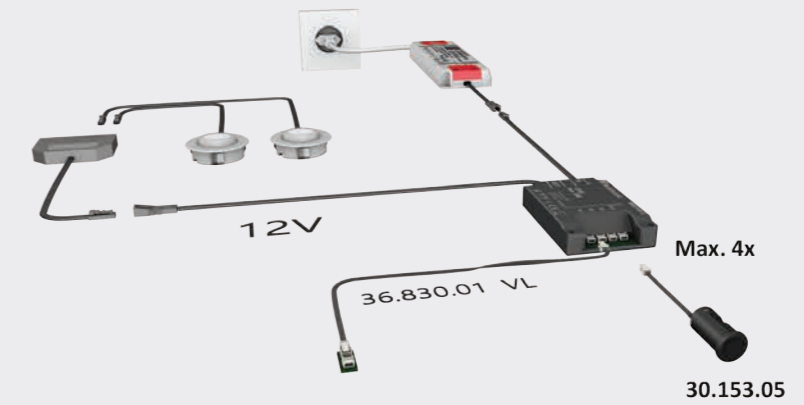
Technical details



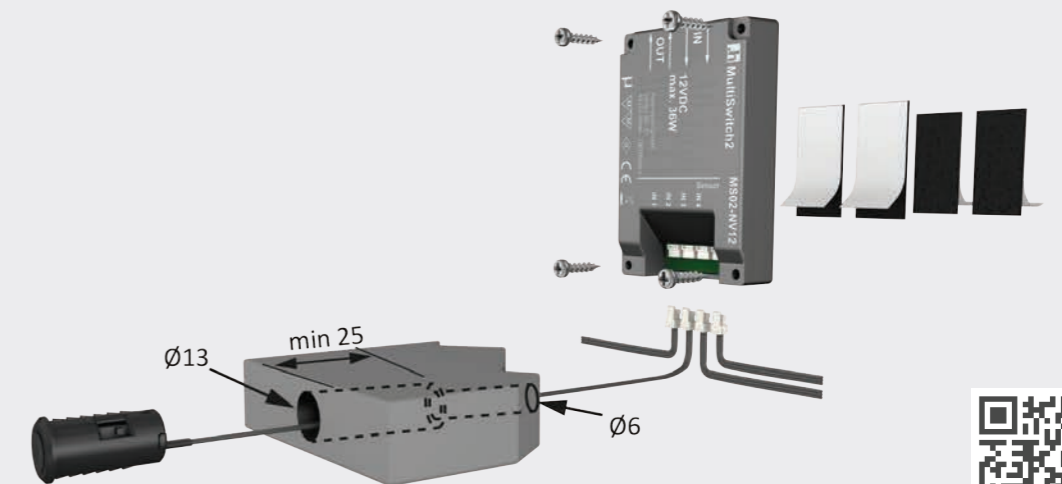
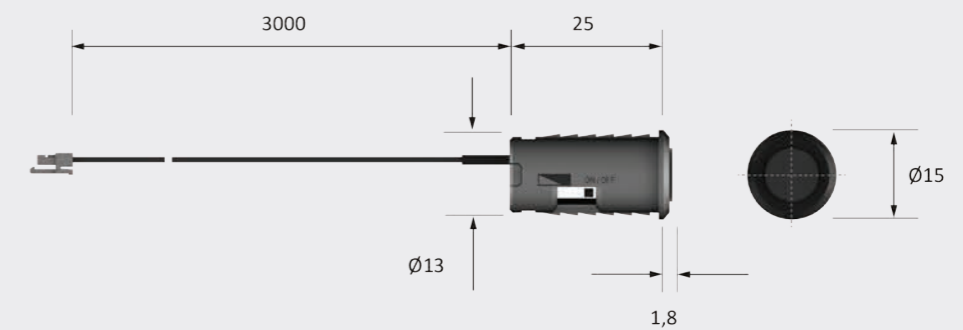
Surface finish: Black
 Can be used with: LED lights
 Max. switching power: 12 Volt DC-36 W
 24 Volt DC-120 W
 230 Volt AC-500 W

Test marks and symbols: CE
 Master unit supply lead: HV 3000 mm
 LV 2000 mm
 Switching lead: HV 150 mm
 LV 300 mm
 Standby: <0.5 W - Master unit including sensors

Assembly drawing



30.153.05





MultiSwitch Touch

Product advantages

- ▶ Sensor with dimming function for flush installation or surface mounting
- ▶ Connection of 1 to 4 identical sensors to 1 master unit
- ▶ With built-in orientation LED that can be switched off

Features

- ▶ Soft ON/OFF function (soft start when switching on/off only at 12/24 Volt DC)
- ▶ Memory function for power failure
- ▶ Dimming function can be switched off

MultiSwitch Touch

Sensor for installation including mounting housing, black	30 154 05
Sensor for installation including mounting housing	30 154 01

Accessories

Master unit 12 Volt DC – 36 W	30 142 01
Master unit 12 Volt DC – 60 W incl. ballast	30 146 01
Master unit 230 Volt AC – 500 W with Euro flat plug	30 141 01
Master unit 24 Volt DC – 120 W	30 143 01
Master unit Vario 12 Volt DC – 36 W	30 144 01
Repeater 12 Volt DC – 36 W	30 263 07
Extension lead sensor cable 3000 mm	36 830 01

Application

- ▶ As touch button with dimming function
- ▶ As on/off switch as well as toggle switch
- ▶ Switching and dimming at 12/24 Volt DC
- ▶ Switching at 230 Volt AC and Vario

Order information

- ▶ Master unit is always required

Technical details



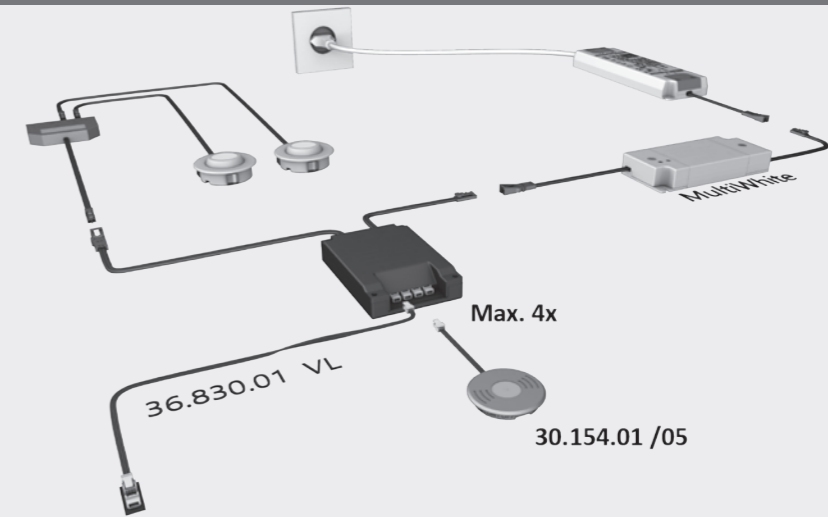
Surface finish: Black / Aluminium look
 LED lights

For use with:
 Max. switching power: 12 Volt DC-36 W
 24 Volt DC-120 W
 230 Volt AC-500 W

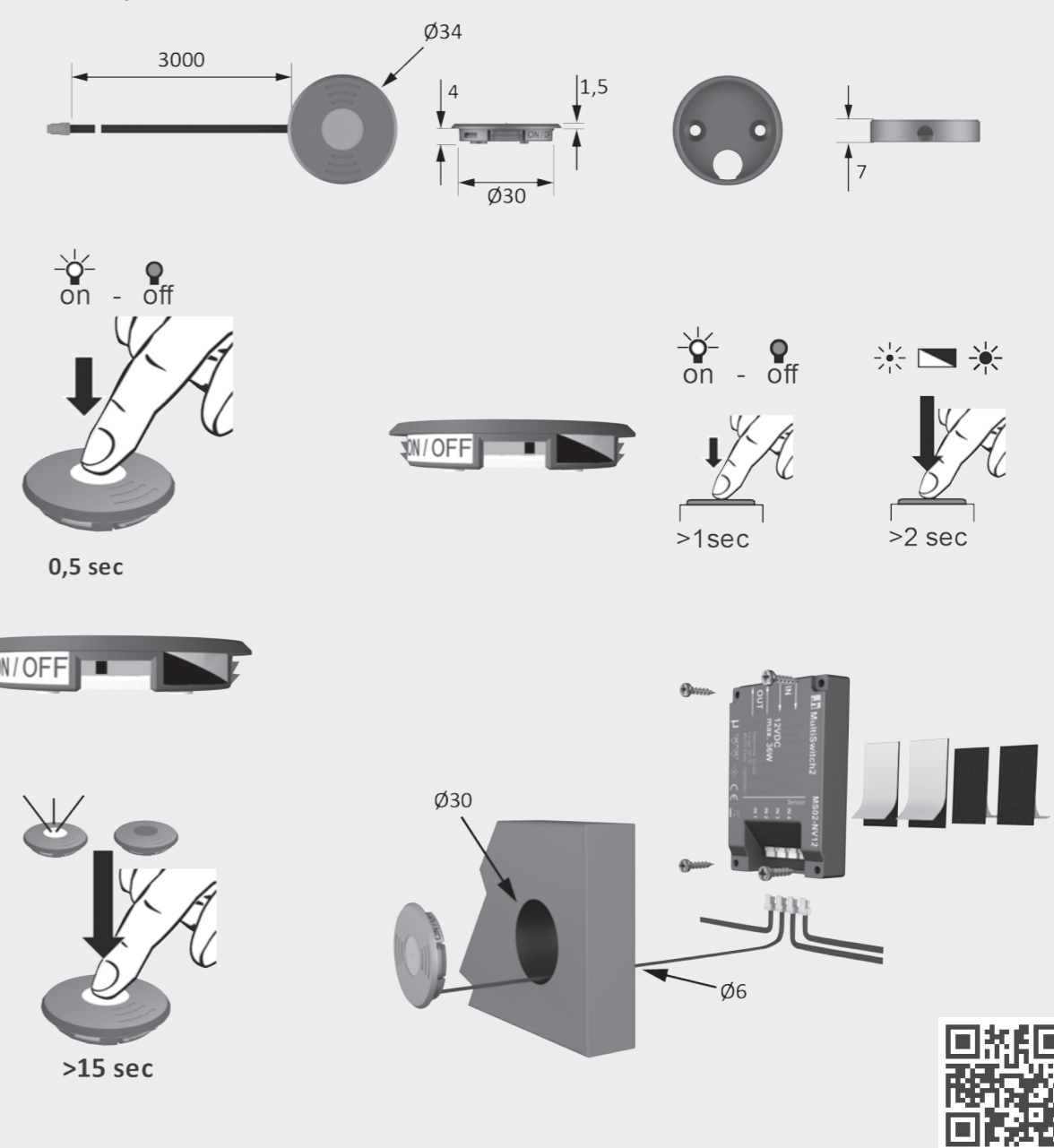
Test marks and symbols: CE
 Master unit supply lead: HV 3000 mm
 LV 2000 mm
 Switching lead: HV 150 mm
 LV 300 mm

Standby: <0.5 W - Master unit including sensors

Assembly drawing



30.154.01 / 30.154.05





Repeater

Product advantages

- ▶ Inexpensive control of large outputs
- ▶ Easy to install
- ▶ Can be combined with many different radio controls and dimmers

Features

- ▶ Any number of repeaters can be connected in parallel
- ▶ Each repeater requires a control signal from the dimmer/switch
- ▶ Sufficient ballast power is required

Ordering information

- ▶ Works with all HALEMEIER PWM dimmers
- ▶ Works with MultiSwitch
- ▶ Cannot be combined with dimmable ballasts

Repeater

Repeater 12 Volt DC - 36 W	30 263 07
Repeater MaxiColor 24 Volt DC - 150 W*	30 263 52

Technical details

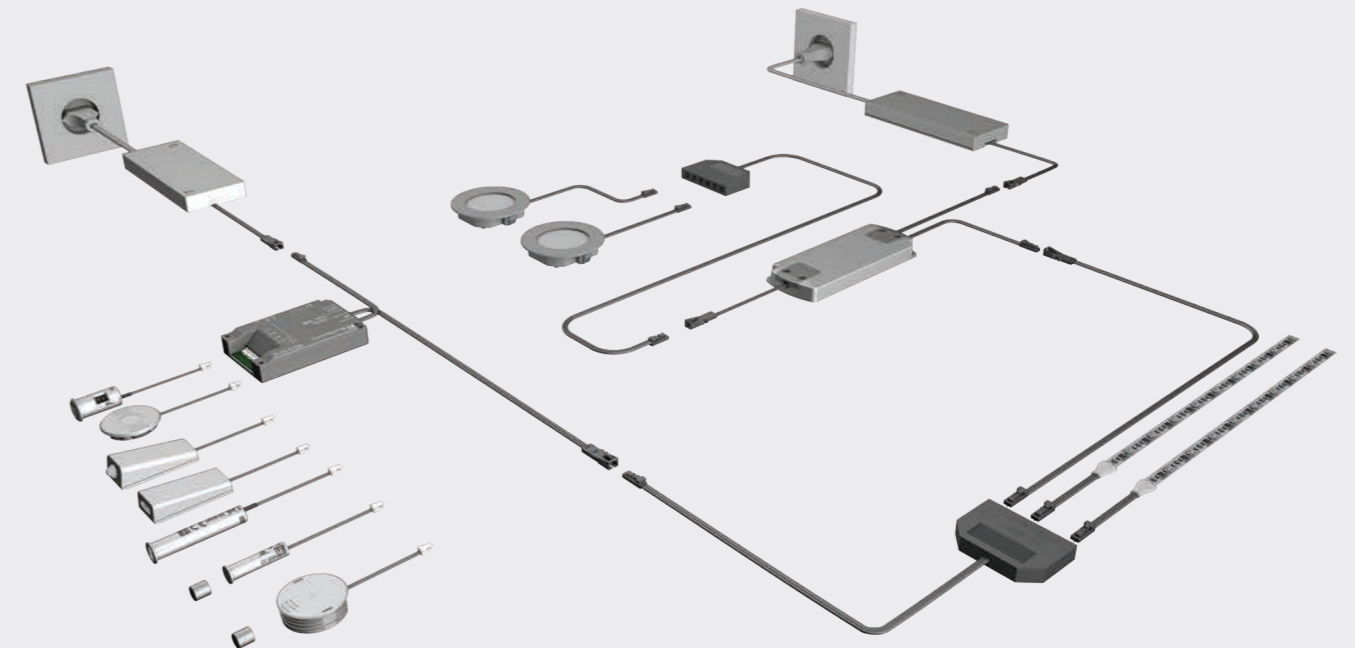
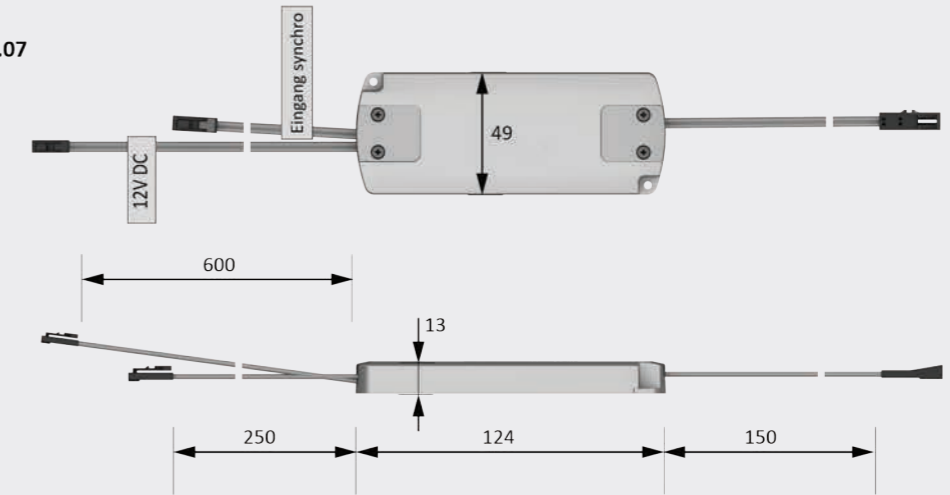


Surface finish: White
 Test marks and symbols: CE Ⓢ
 Supply lead: 600 mm
 Primary connector: see drawing
 Lead output: 150 mm
 Secondary connector: see drawing

* see page 56

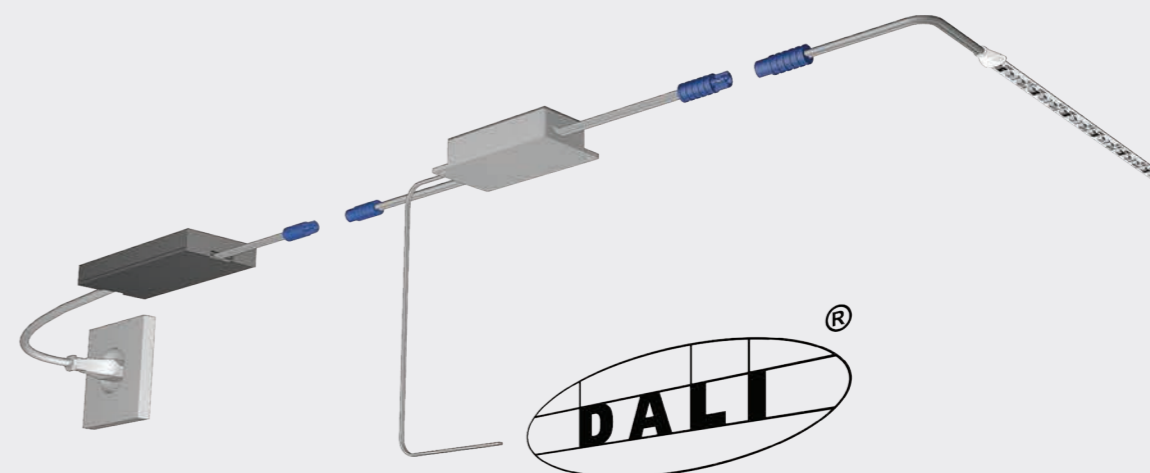
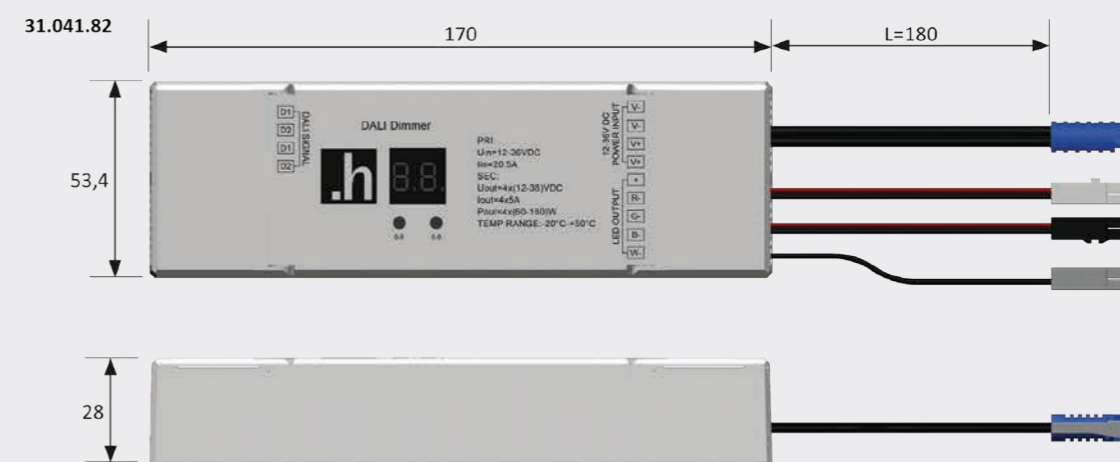
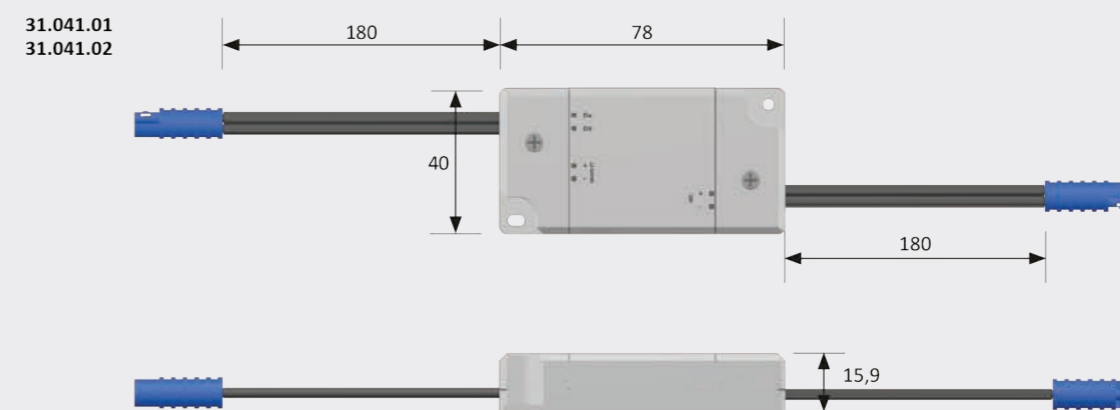
Assembly drawing

30.263.07





Assembly drawing



Dimming module Dali

Product advantages

- ▶ Enables connection to home automation e.g. via KNX, Loxone and Domotica
- ▶ Can be used with all PWM dimmable magic lights

Features

- ▶ For use with Dali control systems
- ▶ Interface to bus/house installation
- ▶ Dali is not a bus system, but a protocol for digital control of lights

Dimming module Dali (Digital Addressable Lighting Interface)

Dali - 12 Volt DC	31 041 01
Dali - 24 Volt DC	31 041 02
DALI MaxiColor (max. 120 W)	31 041 82

Accessories

Repeater 12 Volt DC - 36 W	30 263 07
Repeater MaxiColor 24 Volt DC - 150 W	30 263 52

Technical details



- Surface finish: White
- Operating voltage: 12 Volt DC / 24 Volt DC
- Switching capacity: 36 W / 150 W
- Test marks and symbols: CE Ⓢ
- Supply lead: 180 mm
- Primary connector: Mini connector M1 / Mini connector MP2
- Lead output: 180 mm
- Standby: < 0.5W

SingleSwitch

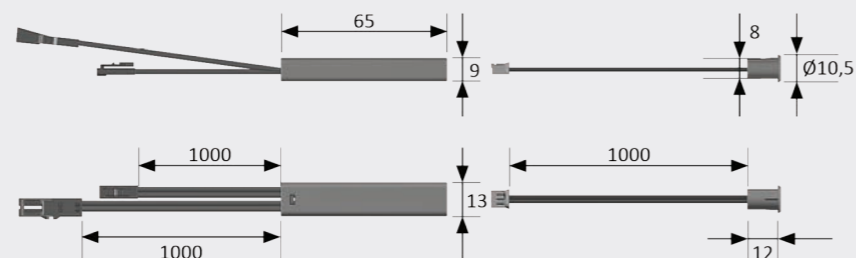
Article overview



IR Door Switch 12 Volt DC*

31 033 01

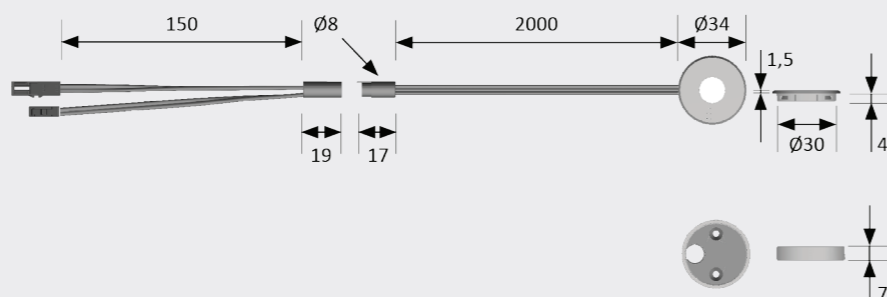
- ▶ Extra small infra red sensor for drilling into place
- ▶ Only 8mm hole required
- ▶ Can be used as a door contact switch



Touch sensor dimmer / switch 12 Volt DC*

30 178 01

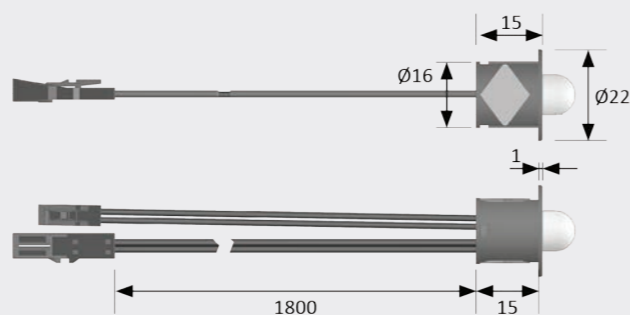
- ▶ Sensor with dimming function for flush installation or surface mounting
- ▶ Memory function for power failure
- ▶ Not compatible with dimmers
- ▶ On/off switch with switchable orientation LED



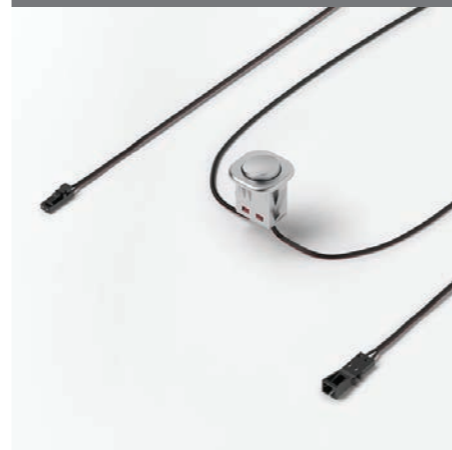
Motion detector 12 Volt DC Black*

30 784 15

- ▶ Motion detector for drilling
- ▶ On/off switch that reacts to heat and movement
- ▶ Not compatible with dimmers



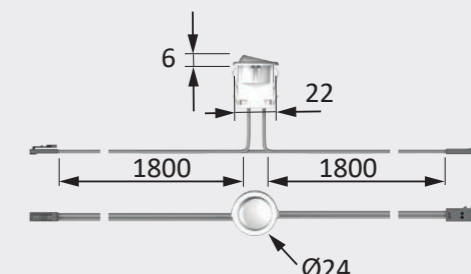
Article overview



Built-in rocker switch 12 Volt DC Alu*

36 974 81

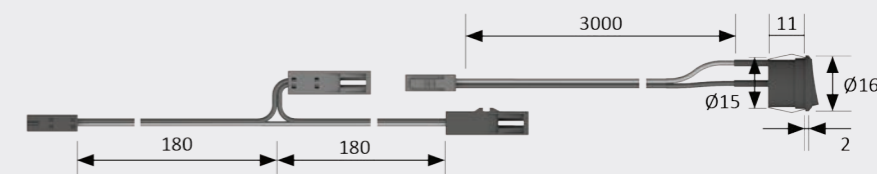
- ▶ Rocker switch for installation
- ▶ Very easy handling



Mini built-in rocker switch 12 Volt DC Black*

36 974 71

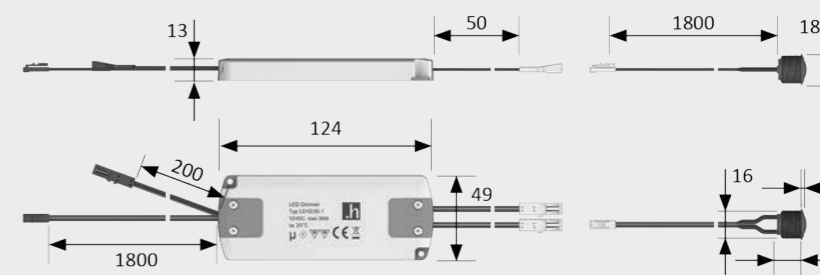
- ▶ Extra small built-in switch
- ▶ Very easy handling
- ▶ Also suitable for front-side installation in furniture tunnels



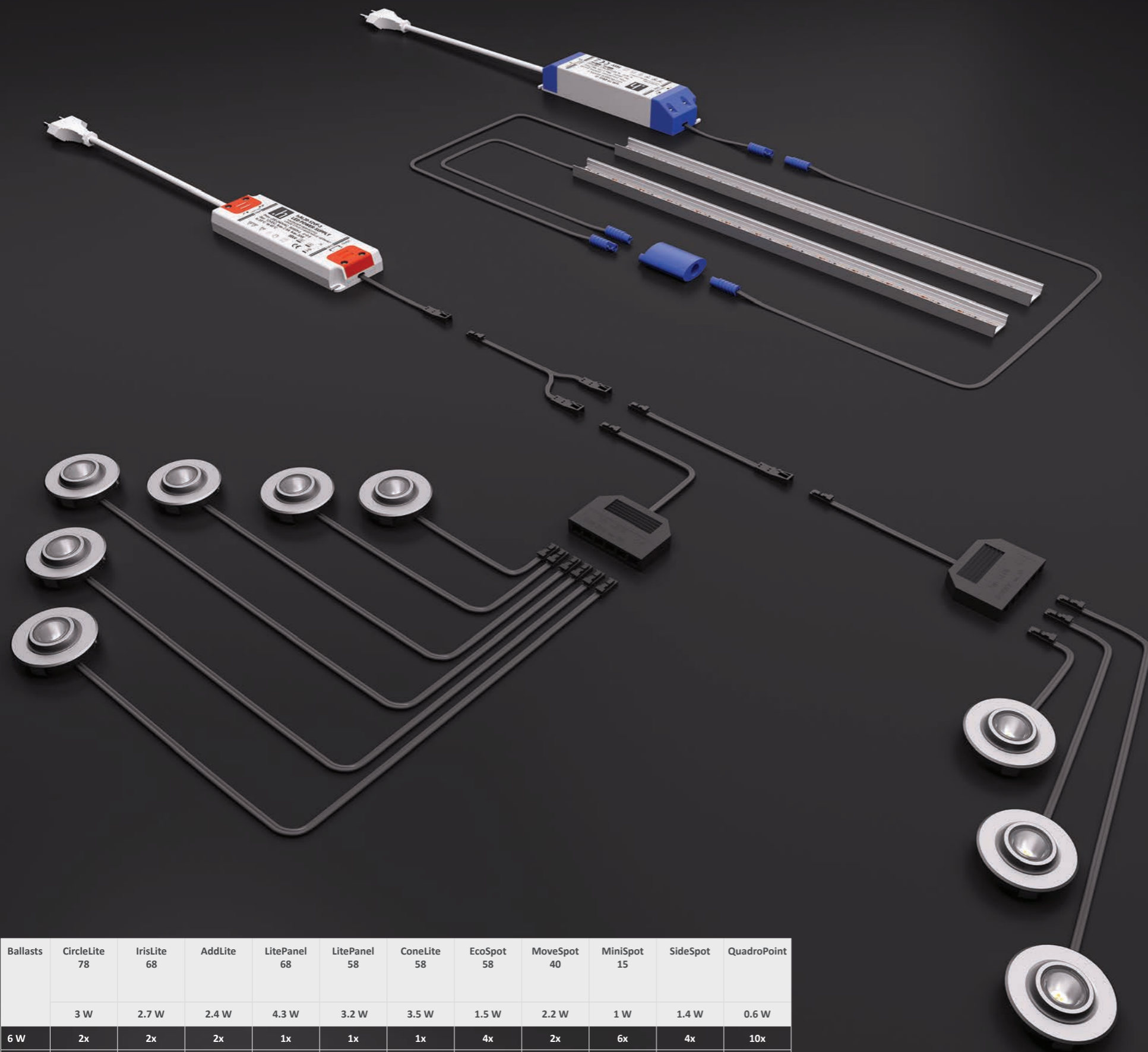
Dimmer incl. 1 button*
2. Button for dimmer

30 538 03
30 538 19

- ▶ Robust button in stainless steel look for switching and dimming
- ▶ Memory function for power failure
- ▶ Must not be used in combination with sensor or radio switch



* Recommended accessories: Repeater 12 VDC - 36 W (see page 174) 30 263 07



Ballasts	CircleLite 78	IrisLite 68	AddLite	LitePanel 68	LitePanel 58	ConeLite 58	EcoSpot 58	MoveSpot 40	MiniSpot 15	SideSpot	QuadroPoint
	3 W	2.7 W	2.4 W	4.3 W	3.2 W	3.5 W	1.5 W	2.2 W	1 W	1.4 W	0.6 W
6 W	2x	2x	2x	1x	1x	1x	4x	2x	6x	4x	10x
20 W	6x	7x	8x	4x	6x	5x	13x	9x	20x	14x	33x
30 W	10x	11x	12x	6x	9x	8x	20x	13x	30x	21x	50x
40 W	13x	14x	16x	9x	12x	11x	26x	18x	40x	28x	66x
60 W	20x	22x	25x	13x	18x	17x	40x	27x	60x	42x	100x

Matching power sources

Plug & Play connector systems

On the following pages you will find the right power sources for your lighting. For all lights and controls, we offer the corresponding distributors and extensions to implement even large systems. The easily distinguishable plug-in systems ensure plug & play and make an incorrect combination impossible.

All Halemeier electronic ballasts, called ballast for short, have overload protection, temperature protection, short-circuit resistance and are explicitly designed for use with LED luminaires as well as for use in furniture.

Our ballasts are certified by external testing bodies such as TÜV for compliance with all current safety and product standards.



Ballast 12 Volt DC

- Product advantages**
- ▶ Short-circuit-proof
 - ▶ Overload-protected
 - ▶ Temperature-protected

- Features**
- ▶ Combination with PWM dimmers possible secondarily

- Application**
- ▶ For 12 Volt DC furniture lights

- Order information**
- ▶ Select ballast according to the power consumption (watts) of the luminaires

Ballast 12 Volt DC

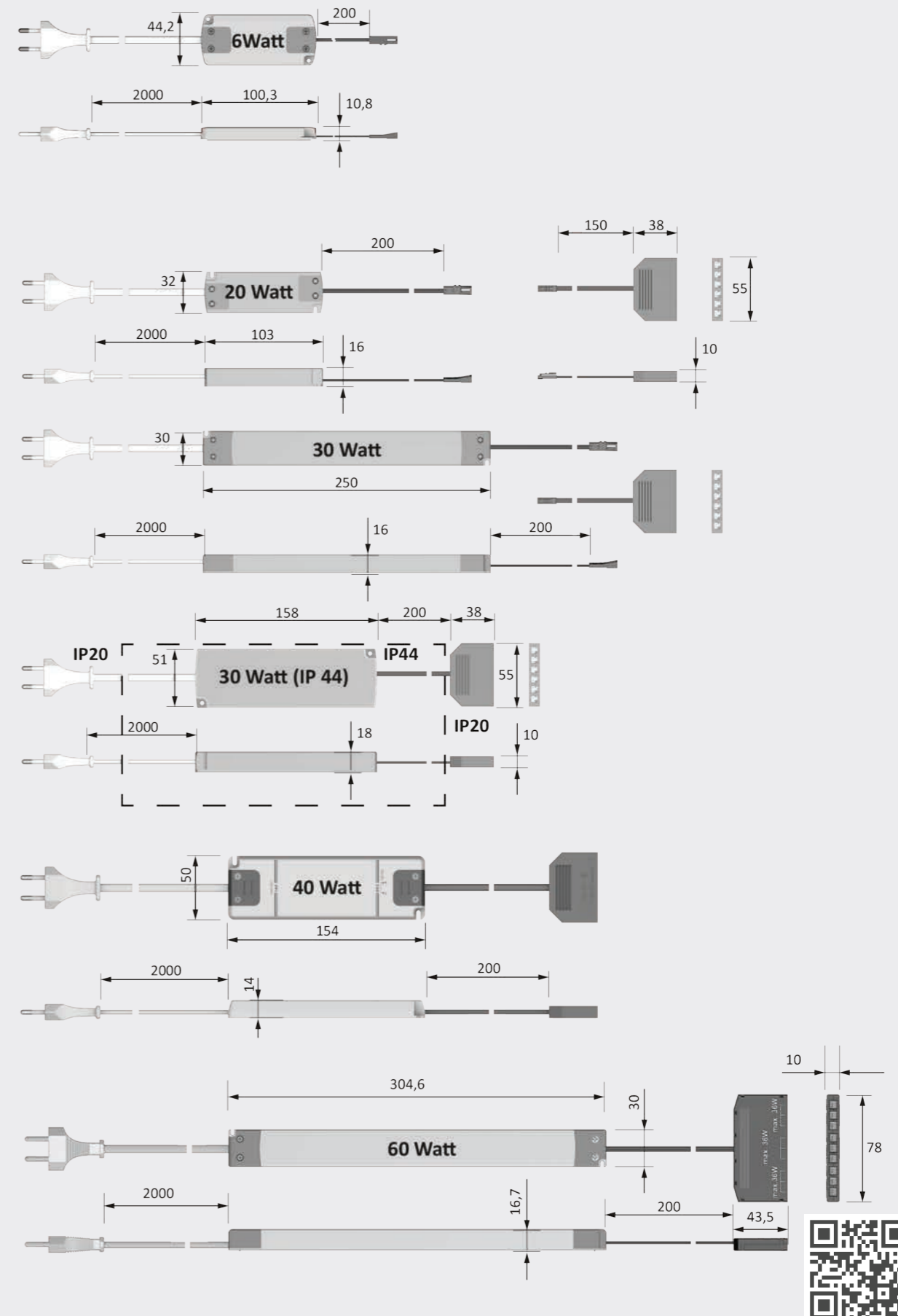
Ballast 6 W with Euro flat plug (1-way)	30 226 02
Ballast 20 W with Euro flat plug (6-way distributor)	31 016 01
Ballast 30 W with Euro flat plug (1-way + 6-way distributor)	31 002 07
IP 44 ballast 30 W with Euro flat plug (6-way distributor)	31 018 01
Ballast 40 W with Euro flat plug (6-way distributor)	30 488 12
Ballast 60 W with Euro flat plug (9-way distributor)	31 025 01

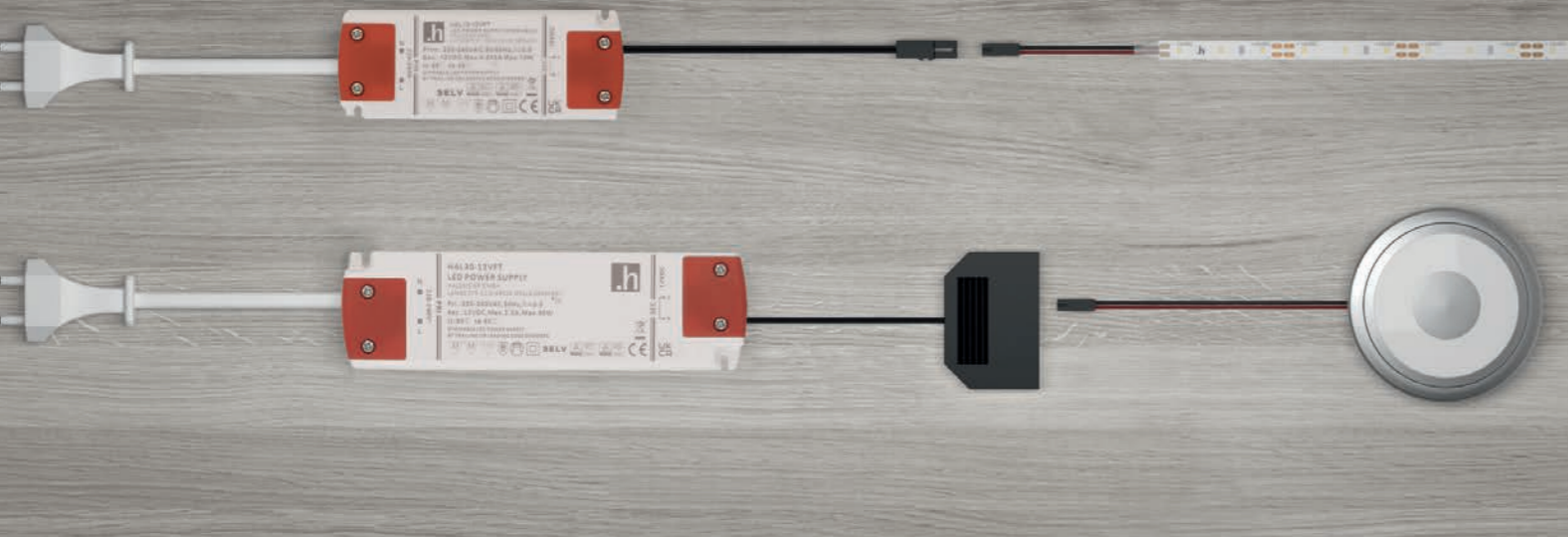
Technical details



Surface finish: White
 Operating voltage: 200-240 Volt AC
 Mains frequency: 50/60Hz
 Output voltage: 12 Volt DC
 Test marks and symbols:
 Protection rating: IP20 / IP44
 Supply lead: 2000 mm
 Primary connector: Euroflat
 Standby: < 0.5W
 Secondary connector: Mini connector M1

Assembly drawing





Ballast 12 Volt DC - 230 Volt dimmable

Product advantages

- ▶ Short-circuit-proof
- ▶ Overload-protected
- ▶ Temperature-protected

Features

- ▶ Dimmable with leading-edge or trailing-edge phase dimmer from third-party supplier via the socket outlet

Ordering information

- ▶ Select ballast according to the power consumption (watts) of the luminaires
- ▶ No additional dimmers or electronic switches may be used between the ballast and the luminaires.

Ballast 12 Volt DC - 230 Volt dimmable

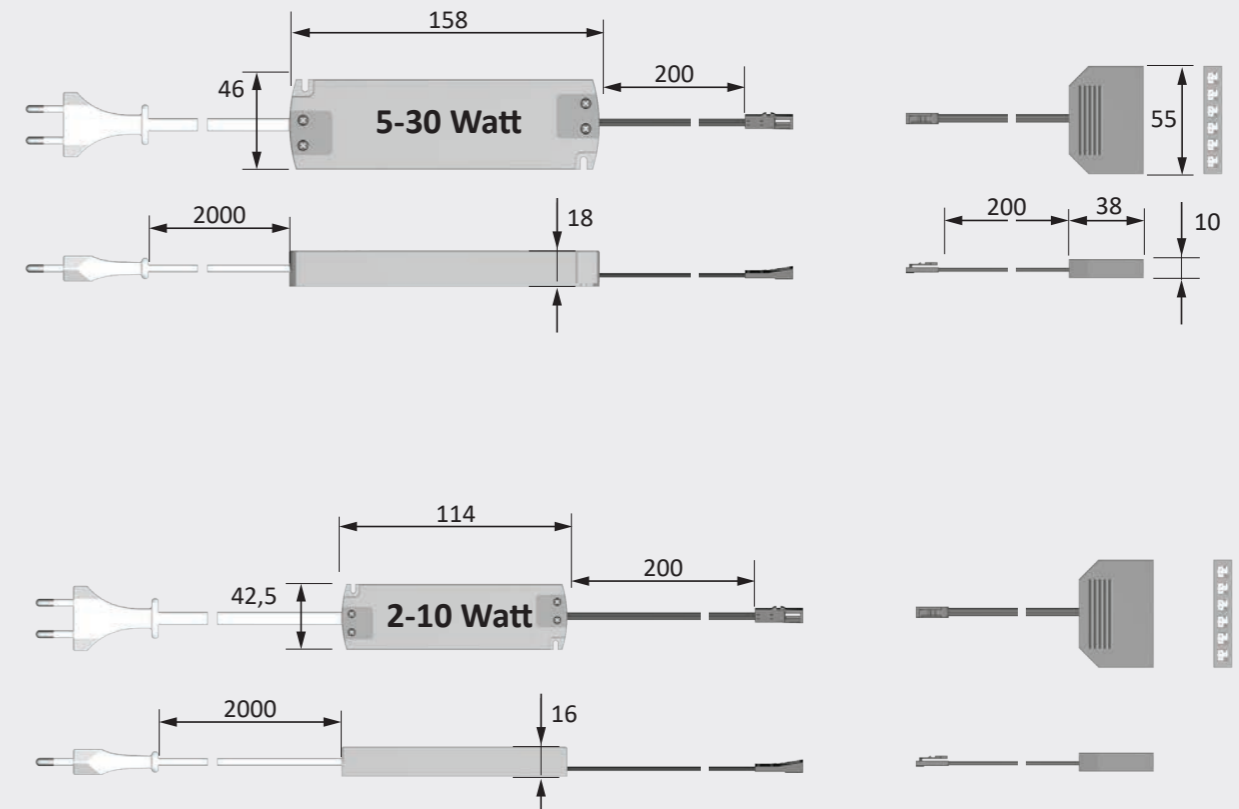
Ballast 2-10 W (note minimum load) with Euro flat plug (1-way + 6-way distributor)	30 595 01
Ballast 5-30 W (note minimum load) with Euro flat plug (1-way + 6-way distributor)	30 586 01

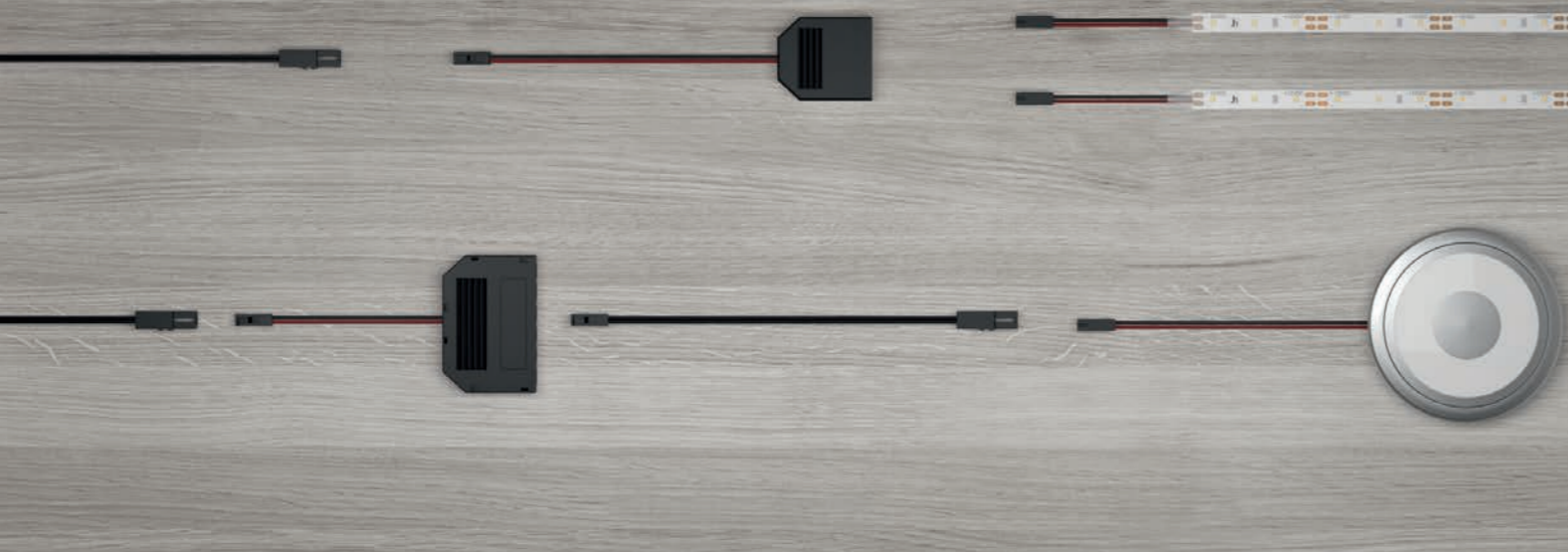
Technical details



Surface finish:	White
Operating voltage:	200-240 Volt AC
Mains frequency:	50/60Hz
Output voltage:	12 Volt DC
Test marks and symbols:	CE □ ▲
Protection rating:	IP 20
Supply lead:	2000 mm
Primary connector:	Euroflat
Lead output:	200 mm
Standby:	< 0.5W
Secondary connector:	Mini connector M1

Assembly drawing





Leads 12 Volt DC

Product advantages

- ▶ LED plug-in system for 12 Volt DC lights

Features

- ▶ Drilling diameter plug 8 mm

Ordering information

- ▶ Maximum connected load 3A/36 W
- ▶ Max. 5 m extension per light

Leads 12 Volt DC

M1 extension lead 1800 mm	36 768 01
M1 extension lead 5000 mm	36 743 03
M1 Stair 2-way distributor 450 mm	39 903 02
M1 3-way distributor 180 mm	36 852 01
M1 6-way distributor 200 mm	36 122 07
M1 6-way distributor 2000 mm	36 125 01

Accessories

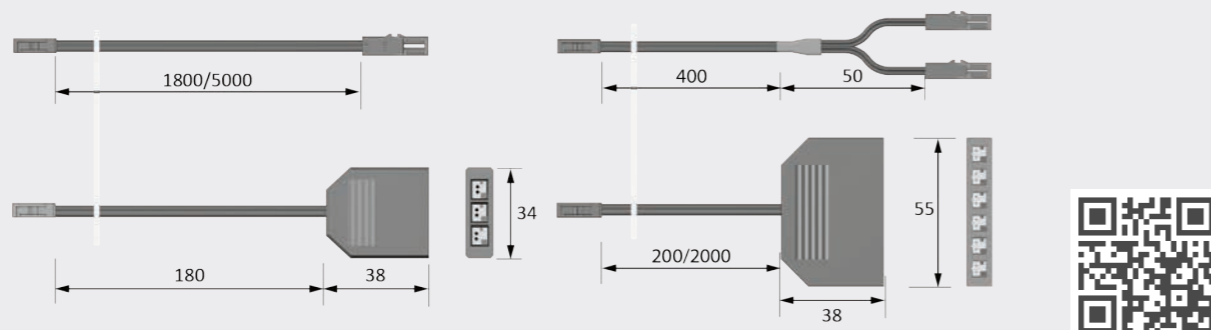
Cable clips, self-adhesive, small (set of 10)	26 021 01
Cable duct, self-adhesive, 1000 mm, white	36 238 01

Technical details



Surface finish: Black
 Test marks and symbols: CE

Assembly drawing



LitePac

Product advantages

- ▶ Power supply without mains socket
- ▶ Integrated on/off switch
- ▶ High capacity
- ▶ For all 12 Volt DC lights
- ▶ M1 connection, distributor allowed

Application

- ▶ Presenting 12 Volt DC lights
- ▶ For lighting solutions in the table
- ▶ For the mobile presenter

Order information

- ▶ Lasts for about 12 hours when connected to about 10 W
- ▶ May only be used with charger 31 152 01

LitePac

LitePac 6000 - Li-Ion battery 12 Volt DC	31 151 01
--	-----------

Accessories

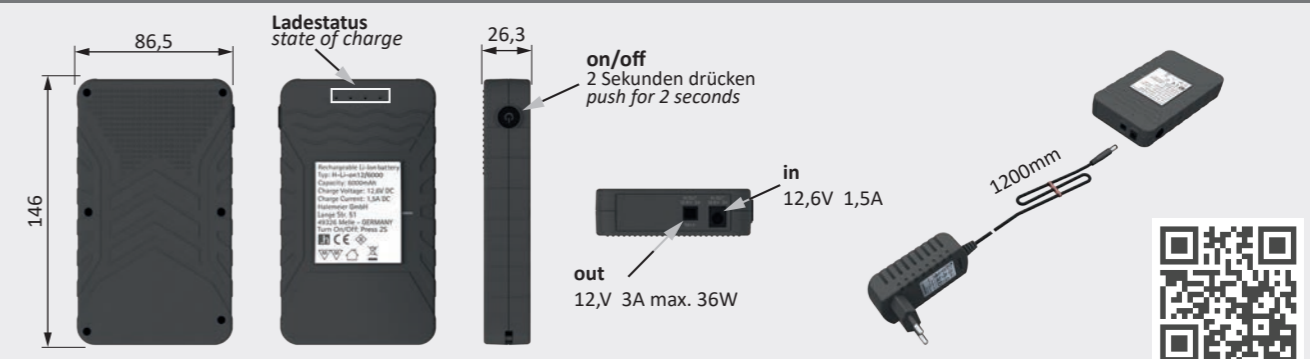
Plug-in power supply 12.6 Volt DC / 1.5 A charger for LitePac 6000	31 152 01
--	-----------

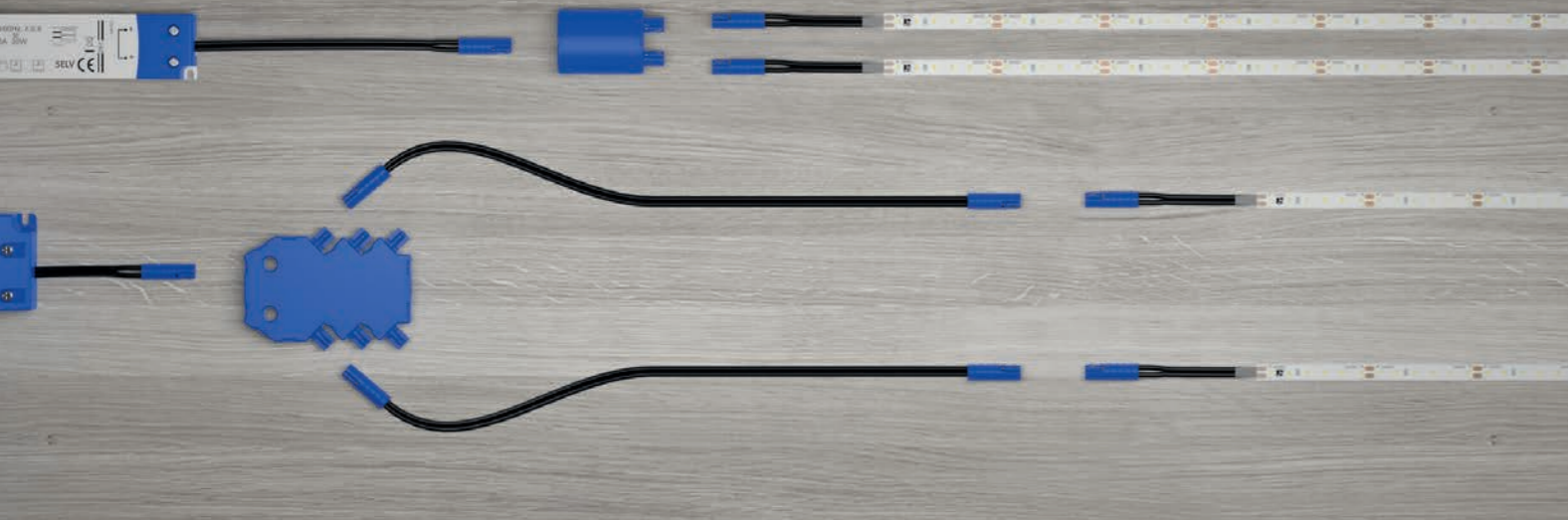
Technical details



Surface finish: Black
 Test marks and symbols: CE

Assembly drawing





Ballast 24 Volt DC

- Product advantages**
- ▶ Short-circuit-proof
 - ▶ Overload-protected
 - ▶ Temperature-protected

- Features**
- ▶ Combination with PWM dimmers possible secondarily

Application

- ▶ For 24 V DC furniture lights

Order information

- ▶ Select ballast according to the power consumption (watts) of the luminaires

Ballast 24 Volt DC

Ballast with Euro flat plug 30 W	30 585 04
Ballast with Euro flat plug 75 W	31 017 01
Ballast with Euro flat plug 150 W	30 017 11
Ballast 12-75 W with Euro flat plug - 230 Volt AC dimmable*	30 594 12

Accessories

Cable clips, self-adhesive, small (set of 10)	26 021 01
MP2 2-way distributor	39 422 51
MP2 6-way distributor	36 996 01
MP2 extension lead 1800 mm	36 177 01

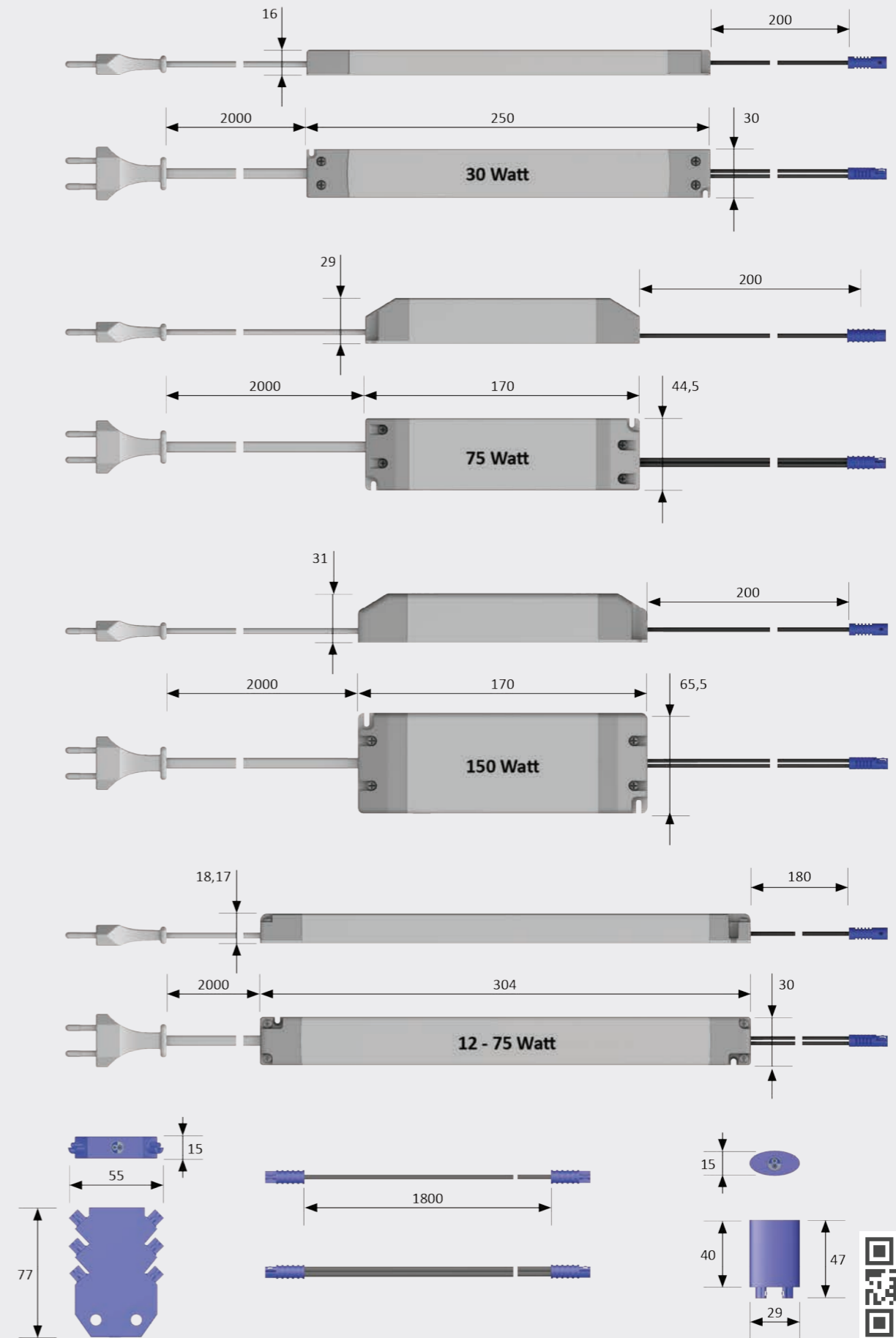
Technical details



Surface finish: White blue
 Operating voltage: 200-240 Volt AC
 Mains frequency: 50/60Hz
 Output voltage: 24 Volt DC
 Test marks and symbols:

Protection rating: IP 20
 Supply lead: 2000 mm
 Primary connector: Euro flat / mini connector MP2
 Lead output: 200 mm / 180 mm
 Standby: < 0.5W / < 0.3W
 Secondary connector: Mini connector MP2

Assembly drawing



* Dimmable with leading or trailing edge phase dimmer from third party supplier via the socket



USB socket

- Product advantages**
- ▶ USB charger socket
 - ▶ For connection of 2 devices

- Features**
- ▶ For drill-in mounting
 - ▶ Quick charging of mobile and table

- Application**
- ▶ USB devices

- Order information**
- ▶ Ballast must have at least 15 W free capacity

Technical details



Surface finish: Aluminium look
 Test marks and symbols: CE E
 Supply lead: 1800 mm
 Primary connector: Mini connector M1
 Standby: < 0.1 W

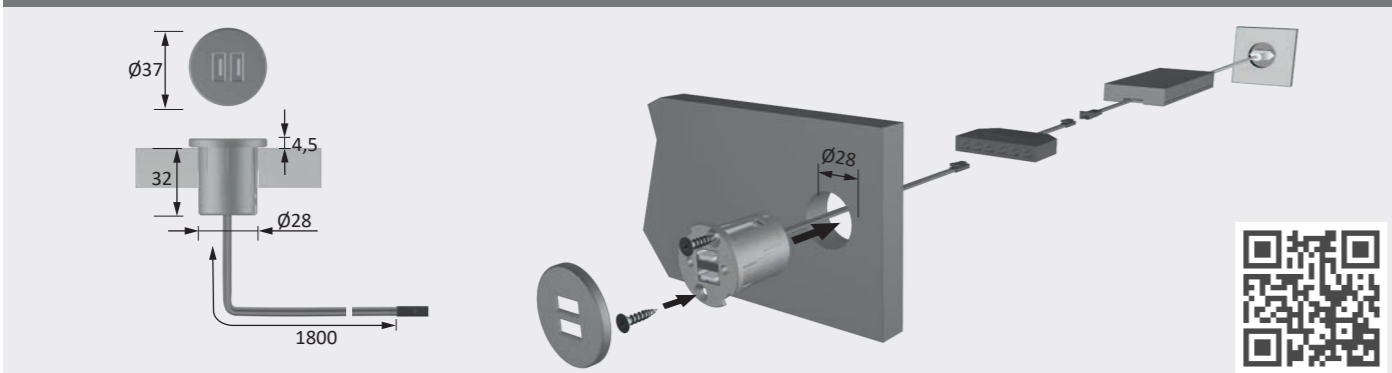
USB socket

USB socket	30 574 02
------------	-----------

Accessories

Ballast 20 W with Euro flat plug	31 016 01
----------------------------------	-----------

Assembly drawing



USB-C double socket

- Product advantages**
- ▶ USB-C charging socket
 - ▶ For connection of 2 devices
 - ▶ USB-PD standard

- Features**
- ▶ For drill-in mounting
 - ▶ Extra flat, suitable for side installation
 - ▶ Quick charging of mobile and table

- Application**
- ▶ USB-C devices

- Order information**
- ▶ Ballast must have at least 30 W free capacity

Technical details



Surface finish: Black
 Test marks and symbols: CE E
 Supply lead: 1800 mm
 Primary connector: Mini connector M1

USB-C double socket

USB-C double socket	30 574 25
---------------------	-----------

Accessories

Ballast 30 W with Euro flat plug (1-way + 6-way distributor)	31 002 07
--	-----------

Assembly drawing





Cable organisation

Product advantages

- ▶ Neat and safe installation of LED cables

Features

- ▶ Small plastic cable duct
- ▶ Can be shortened individually

Application

- ▶ Cable routing in furniture

Cable organisation

Cable duct, self-adhesive, 1000 mm, white	36 238 01
Cable clips, self-adhesive, small (set of 10)	26 021 01

Technical details



HV adapters / distributors

Product advantages

- ▶ Extra flat high-voltage distributor for installation behind furniture

Features

- ▶ Adapter for Euro flat plug - quick installation with one screw
- ▶ Distributor for Euro flat plugs

Ordering information

- ▶ The UK adapter allows any ballast to be used in Great Britain and the Republic of Ireland

HV adapters / distributors

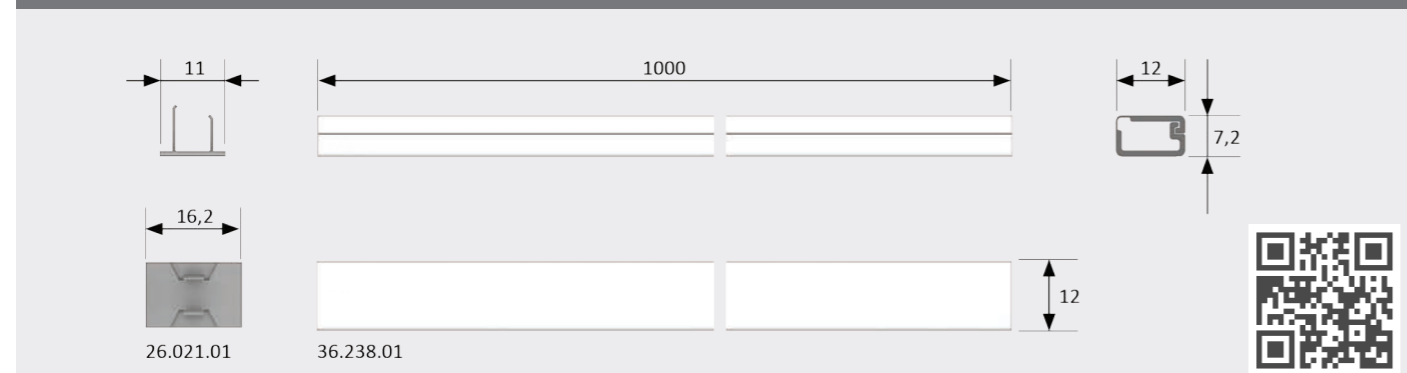
2-way distributor for flat Euro plug	36 326 01
4-way distributor for flat Euro plug	36 237 02
UK adapter plug – for Euro flat plug	36 210 01

Technical details

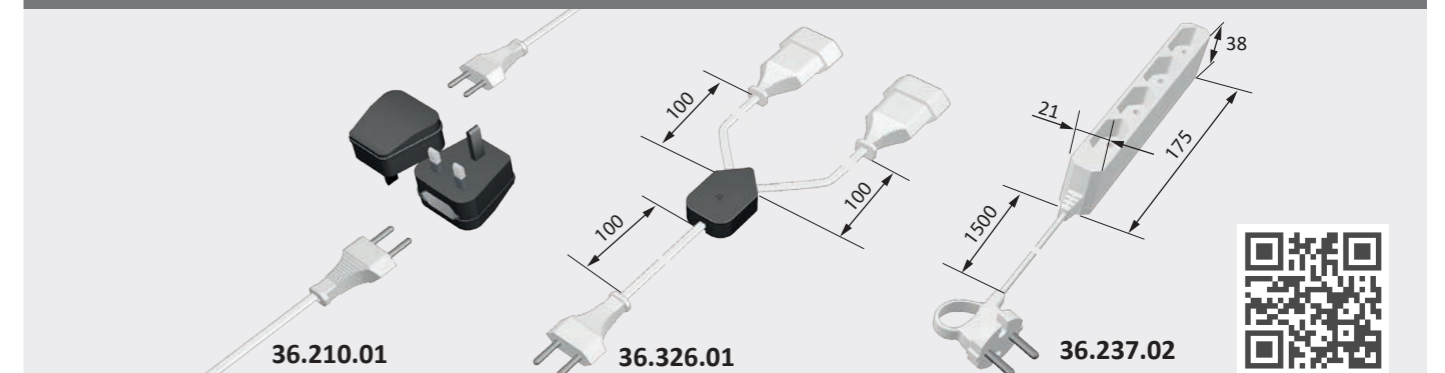


Surface finish:	White/ Black
Test marks and symbols:	CE □
Primary connector:	Euroflat
Secondary connector:	Euroflat

Assembly drawing



Assembly drawing



Types of lighting

A well-thought-out lighting plan incorporates multiple aspects of light usage. Relying solely on uniform lighting can make a room appear dull, which is why it's important to integrate various light sources into furniture and the room. Lighting is one of the most powerful tools for influencing the perception of a space. It is through light that colours truly come alive and shapes gain depth and structure.

A balanced lighting concept includes functional lighting, accent lighting, general lighting and orientation lighting.

When designing lighting for furniture, it's essential to note that the old rules of thumb, which linked brightness to the wattage of a lamp, are no longer valid. Today, brightness is measured in lumens, not watts. This shift emphasizes the importance of focusing on light output rather than energy consumption.

How many lumens does a room or piece of furniture need?

A rule of thumb says that 600 lm/m³ (general lighting) is appropriate for interior corpus lighting and 1500 lm/m³ for work surfaces such as kitchens or bathrooms.

How many lumens does a room or furniture need:

Functional lighting:	1500 lm/m ³
Accent lighting:	300 lm/m ³
General lighting:	600 lm/m ³

These values can never be understood as absolute, but are always influenced by the individual factors of the room. What do you mean with that: Dark walls or furniture absorb the light, while bright objects and surfaces reflect the light.

► General lighting

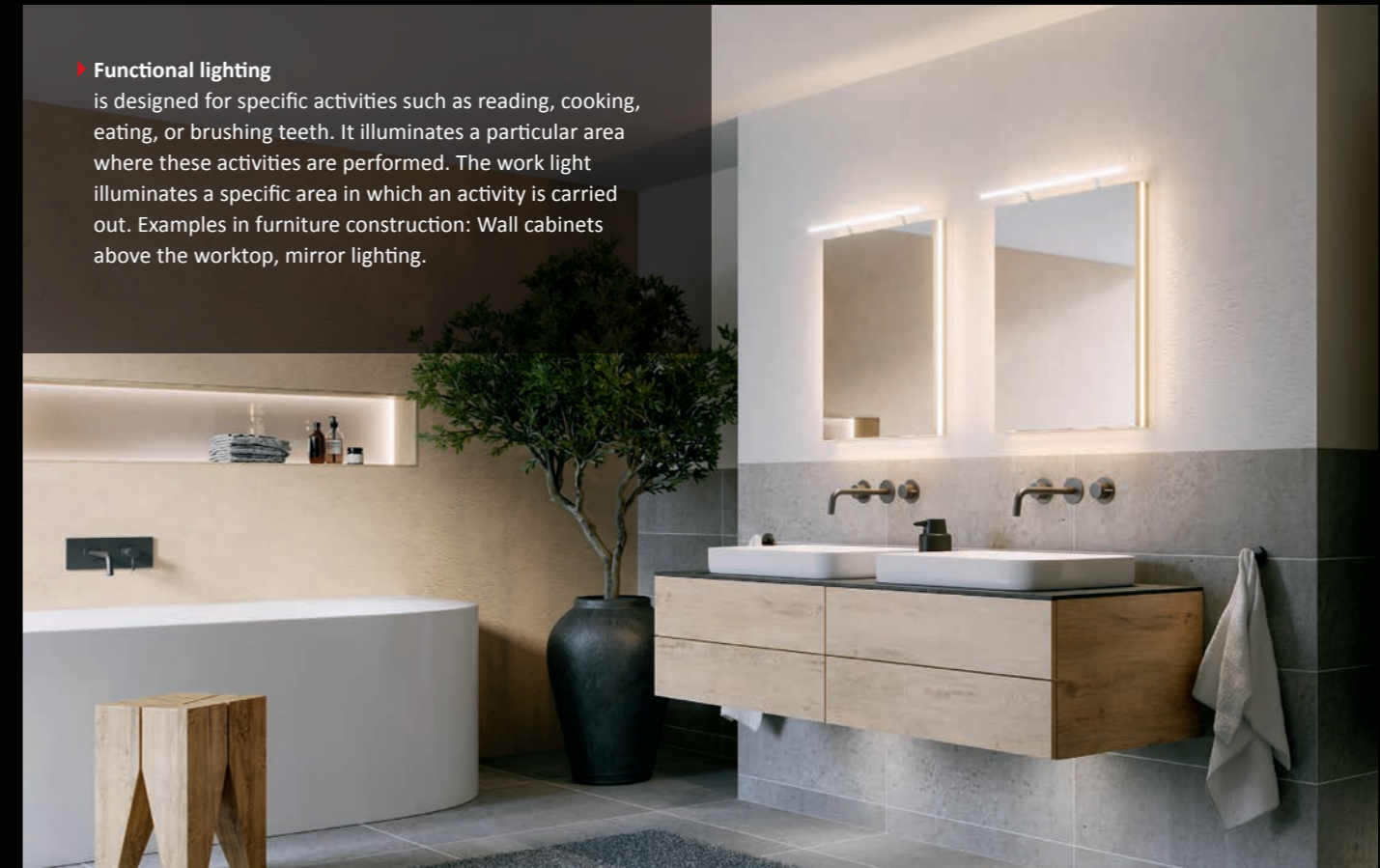
Also known as ambient lighting, general lighting provides the fundamental illumination necessary for overall visibility and orientation in a room. General lighting often comes from the ceiling. It can be continued in the furniture. Example: Light in kitchens – and in wardrobes.

► Orientation lighting

helps you navigate a room at night without needing to turn on disruptive general lighting. Examples in furniture construction: Base lighting, floor lights, illuminated switches.

► Functional lighting

is designed for specific activities such as reading, cooking, eating, or brushing teeth. It illuminates a particular area where these activities are performed. The work light illuminates a specific area in which an activity is carried out. Examples in furniture construction: Wall cabinets above the worktop, mirror lighting.



► Accent lighting

sets focal points, for example to emphasize a piece of furniture or elements within the furniture. The accent lighting creates contrasts in the room and can increase the feel-good factor. Examples in furniture construction: Showcase lighting, backlighting of shelves.





Illuminating facts about light

We bring light into the darkness

Lux, lumen and kelvin, warm white, cool white and neutral white: although the terminology of lighting systems is all around us, it is not always transparent. We would like to bring light into the dark with a few explanations.

► Light colour and colour temperature

White light is composed of the entire colour spectrum, i.e. it is the sum of all light colours. If the proportion of red in the light dominates the light appears warm, and cooler if it contains more blue. This colour impression that a light source gives us is called the light colour. Colour temperature is measured in Kelvin (K). This only provides information on the visual colour impression; it does not say anything about the thermal value of the light. The annealing colours of a black test piece heated to the appropriate temperature serve as a reference for this.

► The classifications

- XW** XtraWarmWhite
2700 K
as before
- WW** Warm white
3000 K
cosy, calming
- NW** Neutral white
4000 K
objective
- CW** Cool white
6000 K
similar to daylight, technical, stimulating
- MW** MultiWhite
2700 – 6000 K
adjustable white cosy to daylight-like

► **Human Centric Lighting (HCL)** Good lighting can promote well-being and have a positive effect on mood. Depending on the colour and intensity, it can have an activating or relaxing effect. Conversely, poor light quality (poor colour rendering, flickering) can impair well-being.

In terms of application, a distinction can be made between four possible uses:

1. **Maintaining health** The human day-night rhythm can be supported by light. As with daylight, changing the light colour (multi-white) and intensity can maintain and promote health and performance.
2. **Activation**
Lighting supports attention and concentration. The activating effect of colder light colours can support performance.
3. **Relaxation** Light also contributes to rest and relaxation. Well-being can be increased by adapting lighting to individual needs, for example by changing to warmer light colours.
4. **Emotions**
Lighting can stage and accentuate, thereby creating a "like" factor for the entire piece of furniture or the room.

► Glare

Glare reduces the quality of lighting. It can be caused by the light or by reflection. The necessary adjustment to different brightnesses results in strain on the eyes, which is perceived as unpleasant and disturbing.

► Colour rendering

The colour rendering of light determines whether the light makes the colours appear dull or bright. It is important for good visual results and pleasant viewing experiences.

Light that contains all spectral colours – such as day light – makes the colours of objects look natural. The colour reproduction here is neutral and therefore particularly favorable for the assessment of colours. Under light with an unbalanced colour spectrum, the colours of objects appear rather unnatural.

The quality of the colour rendering of a light source is assessed by the colour rendering index (Ra). It is derived from common test colours and indicates how naturally colours are rendered. Depending

on the visual task, the appropriate colour rendition should be chosen. To ensure a relaxed and positive visual experience, the colour rendering index should not be less than 80.

Many customers attach great importance to high-quality furnishings and fittings for their homes and living environments. A lot of money and passion is invested in the ambience. But only the optimal lighting can bring their interior design perfectly to the fore.

Only an indirect relationship exists between light colour temperature and colour rendition. The currently best method uses the principle of "luminescence conversion" and is used both for LED and fluorescent lamps. In this method the original blue LED light is transformed into white light by a very thin layer of phosphor material. Currently, CRI values of up to over 90 can be achieved with this method. This method currently provides the best price/performance ratio for high-quality lighting solutions and is therefore preferred by HALEMEIER.



► **Luminous flux**

Luminous flux describes the luminous efficiency of a light source and is expressed in lumen (lm).



► **Light distribution diagrams**

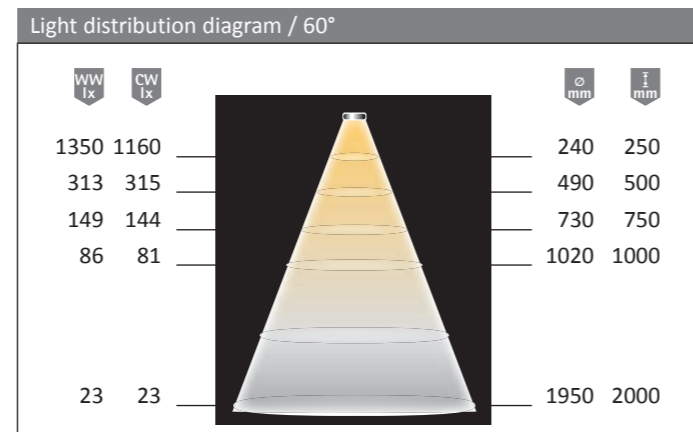
The light distribution diagrams shown in the catalogue were determined in black room. Other manufacturers sometimes measure these in white space, which is not standardised and can produce a wide variety of light reflections. The same applies to the radiation and half-value angles. Therefore, the information can vary greatly between different manufacturers.

The diagrams illustrate:

1. The illuminance at a distance from the luminaire
2. The light distribution area
3. The half value angle

► **Luminous intensity**

Light intensity (illuminance) is probably the term most frequently used in lighting and defines the incidence of luminous flux on a defined surface, measured in lux (lx).



Why do we give the illuminance in lux, and not in lumens or watts?

The wattage of a luminaire says practically nothing about what kind of lighting effect the luminaire produces. All we learn by specifying watts is how much power a light consumes while it is operating. Or put simply: what it costs us to turn them on. In other words, watts are important for assessing the efficiency of a luminaire and for selecting the appropriate ballast. However, they say nothing about the brightness of this light. The illuminance in lux specified for the luminaire, on the other hand, makes it easy to assess what effect – functional, decorative, accentuating or orienting – can be achieved.

Brightness is a generic term for subjective impressions and objective measured quantities for the visual perception of – visible – light. This means that we all have a different "need" for brightness. As a rule, older people, for example, need more light than young people in order to have the same impression of brightness.

When planning, it should also be taken into account that dark surfaces "swallow" more light than light surfaces. Therefore: The lower the reflectance and the more difficult the visual task, the higher the illuminance needs to be.

Some examples of degrees of reflection:

- White walls up to 85 percent
- Maple and birch up to 60 percent
- Light oak up to 35 percent
- Red bricks up to 25 percent
- Dark oak only up to 15 percent



► **ENEC**
European mark of conformity: Confirmed standards conformity for electrical products through national certification bodies.



► **VDE-GS mark**
German mark for appliances as technical equipment according to the Appliance Safety Act GSG.



► **CE**
The CE mark certifies among other things compliance with the Low Voltage Directive and the EMC Directive by the manufacturer or importer.



► **F mark**
In the past, luminaires suitable for direct mounting on or against normally flammable materials bore the F mark. This is no longer required by current standardisation status, but assumed. Only deviations are marked.



► **MM mark**
Lights and transformers suitable for installing in or on furniture which are made from materials with unknown flammability properties. Has been replaced by the F symbol.



► **Temperature-protected electronic transformer**
Converter is protected against overtemperature and switches off in the event of a fault. The value in the triangle shows the maximum housing temperature in the event of a fault.



► **Short-circuit-proof safety transformer**
Converter is protected against short circuit and switches in the event of a fault.



► **Independent electronic transformer**
For use outside lights without additional cover.

$t_{a_{max}}$

► **Maximum permissible ambient temperature**
This is the temperature level up to which no components are thermally overloaded.

t_c°

► **Temperature reference point**
Denotes the temperature reference point on the housing surface which, if exceeded, reduces useful life.

SELV

► **Safety extra-low voltage**
Protective extra low voltage



► **Protection class 1 – Devices with earth conductor connection**
Equipment in which protection against electrical shock does not only rely on basic insulation. An additional measure of protection is given by connecting those conductive components to the protective earth conduct or in the building wiring that are otherwise capable of assuming hazardous voltages if the basic insulation fails.



► **Protection class 2 – Devices without protective earth connection**
Equipment where the protection against electric shock is not only based on the basic insulation, but where additional safety measures for double insulation or reinforced insulation are present. There is no facility for connection to protective earth conductors.



► **Protection class 3 – Devices with protective extra-low voltages**
Equipment with protection against electric shock on protective extra-low voltage and in which voltages higher than the protective extra-low voltage are not generated – For voltages below 25 volts AC or 60 volts DC, protection against contact can be completely dispensed with.

IP codes

IP 20

► **Protection against foreign bodies / water**
Protection against medium-sized foreign bodies / no protection against water

IP 44

Protection against granular foreign bodies / protection against splashing water from all directions

IP 65

No ingress of dust / protection against water jets
Use only in dry rooms



► **The following marks confirm compliance with North American standards**



QPS test mark for Canada and USA



Test mark of the UL Institute



Test mark of the ETL Institute



Declaration of conformity for products in the UK - no longer legally required since 2024



Zigbee is the complete solution for the majority of major smart home vendors.



Tips and tricks

► Using Lux and Lumen values to select the right product

If you are searching for functional lighting with a certain level of illumination, you can easily see whether the chosen product has the right degree of brightness by reading the Lux values on the lighting diagram. This also allows you to compare different lights. The luminous flux, or light output of a lamp, does not provide any information on these values. It is suitable only for selecting a light in systems where these are replaceable.

► Extending LED leads

Leads cannot be infinitely extended. Firstly, unwanted EMC effects could occur (leading to disturbances in electronic systems); secondly, ballasts could be overloaded or the light output of the lamp significantly reduced.

► **Our lights based on 12 V DC** are supplied with a mini LED plug system M1 and may be generally extended by 2 extension leads of 1.8 m each in addition to the supply lead fitted as standard.

► **Our lights based on 24 V DC** are supplied with a Multi-Plug system MP2 and may be generally extended by 2 extension leads of 1.8 m each in addition to the line assembled as standard.

► Dimming LED lights

In the information box "Technical details", which you will find on every product page in the catalogue, we indicate whether a luminaire is dimmable. LED luminaires are dimmed by PWM (pulse width modulation) on the extra-low voltage side. This is done either by our Smart.home controls, LED dimmers or by special electronic ballasts, which are controlled by a 1-10 volt control voltage or a phase-cut dimmer, depending on the type. Important: Standard LED ballasts are not dimmable.

► Who remembers what?

All switches of this range "remember" their state when the power was switched off. This means, for example, for the S-Mitter that the previously set dimming level remains available after disconnection from the mains.

► Factors affecting life span

As a basic rule, the indicated life span of technical equipment is based on an ambient temperature of 25° Celsius. Higher temperatures usually reduce the lifetime.

When installing, avoid predictable heat build-up (e.g. by mounting a ballast between two wooden plates), unless absolutely necessary.

► Heat generation

The light emission of LED generates a certain amount of heat, which is however is so low (compared to other technical appliances) that it has almost no impact on the environment. The design of the light ensures that under normal conditions of use no heat accumulation will occur that reduces the life of the electronic components and the LED in particular. When using high-powered LED flex strips, the mounting surface must be able to dissipate some of the heat. We therefore recommend the use of ChannelLine profiles made of aluminium that act as heat sinks for LED light strips.

► Loads of ballasts for LED lights, connection of electronic switches

The power consumption of small LED lights or the standby power of our switches is sometimes so low that you need to consider the minimum load when selecting the appropriate ballast. Electronic switches should only be connected to the ballasts whose power range is specified from 0 to X W. If voltage drops below the minimum load, reliable operation is no longer guaranteed.

► Overload of ballasts

Make sure that the ballast is not overloaded with the number of lights connected to it.

► Observe the inrush current

Fully electronic ballast have no inductance in the input circuit which limits the current rise at switch-on. Therefore, a high current peak may occur when the mains voltage is switched on. When using large number of ballasts (e.g. in an exhibition) this should be considered when protecting the circuit.

► Electronic ballast with output control

Electronic ballast with output control compensate mains voltage fluctuations of +/- 10%, so that the emitted light flux is nearly constant. Devices of this type are also called controlled devices. In so-called uncontrolled devices, mains voltage fluctuations of +/- 10% also mean a +/- 10% fluctuation of lamp power and light output.

► Using IR switches

When using IR sensors, such as in combination with the Multiswitch or the integrated sensor of InnoLine, make sure that the infrared beam is reflected cleanly to the receiver. High gloss but also too strongly frosted surfaces and incorrect mounting distances can lead here to errors. Please use the reflector stickers supplied.

► Blinking LED lights

Blinking lights are typical of the over- or under-loading of a ballast. This can be caused by an inappropriate number of lights excessively long line connections or a partial short-circuit (e.g. clamped line).

► Malfunctions or different levels of brightness in LED Versa strips.

When you connect sections of the Versa Inside strips, you need to ensure that connectors have the exact polarity and are firmly seated.

► Binning allows for constant product quality.

In the industrial production of LED chips, deviations always occur during the manufacturing process. The photometric properties of the chips differ in colour and luminosity. To ensure a constant light quality with the same brightness level and uniform light colour, the LED of a batch must be sorted. They are divided into selection classes, called "bins". Important selection criteria for this are chromaticity, luminous flux (unit: lumen) and colour temperature (unit: Kelvin). This is why the precise specification of the light colour of a light series is simply not possible. To ensure availability and appropriate price/performance ratio, LED lights with different production data can be equipped with different selection classes and in many lights types we already offer "single binning" – i.e. fittings with always the same LED selection.

► Care and maintenance

Please only clean your light in OFF state. The care is limited to surfaces, e.g. acrylic glass and covers. Ensure that no moisture enters the terminal boxes or electrical parts.

► Important information for LED lighting systems

LED lighting systems can produce very intense beam that can possibly damage the eyes if used improperly. Therefore, never look directly into the light from a short distance.

► Correct disposal of LEDs

LED modules and LED lights are mercury free, but contain electronic components. They therefore fall within the regulations of the Waste Electrical and Electronic Equipment Act (ElektroG/WEEE). LEDs must therefore not be disposed of in the residual waste. LED lights can be disposed of free of charge at appropriate collection points.

► Safety instructions for installation:

Always follow these instructions and the installation instructions for a safe and secure installation and use of this lamp. Keep the installation manual for future reference. Installation and electrical connections must be carried out by a qualified person. Always disconnect the power supply before connecting the circuit and secure it against unintentional reconnection. Make sure there is no voltage present before starting work. The maximum output in watts indicated on the lamp/operating unit must be taken into account when connecting it to a power circuit or a power supply unit. Under no circumstances may the specified value be exceeded! Lights may be used only for their intended purpose. Interior lighting may not be used outdoors. Lights may not be covered by any objects.

Attention! To avoid risks, a damaged outer flexible cable of this light may only be replaced by a qualified electrician or the manufacturer.



Ecodesign Directive and the labelling of lighting sources and/or luminaires

With the publication of Delegated Regulation (EU) 2019/2015 of 11 March 2019, the competent Commission has replaced the former Regulation (EU) 874/2012. This means that the obligation to label luminaires has expired since 25.12.2019 and will be replaced by an obligation to label light sources, which will apply from 01.09.2021. If a light source is placed on the market as part of a containing product, the labelling obligation for the light source used also does not apply. Operating manuals or installation instructions need only state the energy efficiency class of the light source used.

With the appearance of this new regulation, the classification of the corresponding energy efficiency classes will also change. Example: A luminaire which in the past fell into energy efficiency class A as a luminaire according to (EU) 874/2012, only achieves energy efficiency class E according to the current regulation (EU) 2019/2015 with the illuminant which continues to be used unchanged. The luminaire is not less efficient, it is now only subject to a different calculation basis for determining the corresponding energy efficiency class of its illuminant. The effects on the efficiency of the end product luminaire, which are significantly influenced by design details such as housings, reflectors, lenses and covers, are not taken into account by the current regulation.

We take over product responsibility in accordance with the WEEE Directive

In addition to all deliveries within Germany, Halemeier takes over the product registration** as a free service for its customers in other EU countries*.

The registration is not to be carried out with an overall EU authority, but with the respective national authorities of the member states. Halemeier currently undertakes this registration for deliveries to customers*) in Belgium, Denmark, Estonia, Finland, France, Greece, Ireland, Italy, Latvia, Lithuania, the Netherlands, Austria, Poland, Portugal, Romania, Sweden, Spain, the Czech Republic and Hungary.

**) Halemeier product registration is only sufficient for luminaires and devices which are marked with the Halemeier brand and which can be dismantled after installation by the installer using standard household tools. If they are not, the processor/furniture manufacturer must register his furniture independently. In case of export by the customer, an independent declaration by the distributor in the country of destination is mandatory.

Technical data of the catalogue

Halemeier only gives the values in his catalogue data that were determined for the complete product in our own laboratory and on the basis of algorithms.

5 years warranty

for all magic by Halemeier catalogue items*

Warranty conditions

Valid for Halemeier LED luminaires, LED ballasts and system accessories which are exclusively operated in the system with Halemeier products with purchase date from 01.10.2024.* The guarantee is valid on the territory of the European Union and Switzerland.

If a Halemeier LED luminaire or Halemeier electronic ballast or system accessory fail within the warranty period due to a product defect, the purchaser will receive a replacement or repair of the luminaire/system accessory free of charge. If the product is no longer available, Halemeier reserves the right to refund the pro rata purchase price. A decrease in luminous flux due to use is normal for LED products (up to 30% within the specified service life), does not constitute a defect and is therefore not covered by the warranty.

The warranty granted is valid on condition that the products are used in accordance with their product specifications and are installed and commissioned professionally, in accordance with the installation instructions enclosed with the product. The warranty expires if modifications or repairs have been carried out by third parties. The product must not be subjected to any mechanical loads that are not in accordance with its intended use.

Furthermore, the ambient temperature must not fall below -20°C and must not exceed 30°C. The relative humidity must not exceed 80% (does not apply in the protection classes provided for this purpose) and the products must not be subject to voltage fluctuations of more than 10%.

Due to technical progress and changes in luminous flux caused by use, subsequent deliveries of LED luminaires may show deviations in the light characteristics compared to the original products. The warranty is excluded if the products have been modified or repaired or if the goods have been installed improperly or by unqualified personnel. The guarantee does not apply to incidental costs incurred in connection with the rectification of defects (such as for

Philips Licensing Program

Wide assortment of innovative technologies

Halemeier is a licensee of the Philips LED licensing program for luminaires and thus enjoys many advantages and opportunities: Only licensees get access to a wide range of over 200 Philips lighting innovations – from basic LED controls to system-level technologies that can be used in LED-based luminaires and retrofit luminaires. This will help to accelerate product development, increase cost efficiency and exploit new opportunities in the expanding market.

installation and removal, transport of the defective and the repaired or new product, disposal, travel and travel time); these costs will be borne by the buyer.

Halemeier accepts no liability beyond this manufacturer's warranty.

Warranty claims must be made immediately after becoming aware of the defect within the warranty period. The warranty services do not have the effect of extending the warranty period, nor do they initiate a new warranty. However, the warranty claims of the purchaser shall continue to exist unchanged in addition to this manufacturer's warranty. The warranty period starts from the day of delivery ex works Halemeier.

* Excluded from the 5 year warranty are only: Batteries and rechargeable batteries

We refer to our General Terms and Conditions under www.halemeier.de



Halemeier is a member of the Zigbee Alliance.



Order no.	Catalogue page	Order no.	Catalogue page	Order no.	Catalogue page	Order no.	Catalogue page	Order no.	Catalogue page	Order no.	Catalogue page	Order no.	Catalogue page	Order no.	Catalogue page
18 720 01	124	30 488 12	182	32 351 36	108	55 608 51	84	55 876 61	77	55 967 65	87	56 039 43	38	56 045 10	42
18 720 81	124	30 538 03	179	32 355 35	94	55 608 61	84	55 876 65	77	55 969 55	78	56 040 03	46	56 045 11	42
18 720 91	122	30 538 19	179	32 355 39	94	55 641 13	85	55 887 02	83	56 025 01	50	56 040 13	46	56 045 12	42
18 720 92	122	30 574 02	190	32 356 15	96	55 642 05	90	55 887 06	83	56 025 02	50	56 040 43	46	56 045 13	42
25 242 11	81	30 574 25	191	32 356 35	96	55 664 02	85	55 887 12	83	56 025 11	50	56 042 01	48	56 045 14	42
25 536 01	68, 69	30 585 04	188	32 357 15	96	55 664 51	85	55 887 16	83	56 025 12	50	56 042 03	48	56 045 30	42
25 554 01	76	30 586 01	184	32 357 35	96	55 706 02	80	55 887 51	83	56 029 01	56	56 042 05	48	56 045 31	42
25 554 05	76	30 594 12	188	32 359 05	102	55 706 04	80	55 887 55	83	56 029 02	56	56 042 11	48	56 045 32	42
25 556 01	77	30 595 01	184	32 359 09	102	55 706 51	80	55 887 61	83	56 030 02	116	56 042 13	48	56 045 33	42
25 556 05	77	30 775 01	154	32 359 15	102	55 706 61	80	55 887 65	83	56 030 12	116	56 042 15	48	56 045 34	42
25 559 01	80	30 784 15	178	32 359 19	102	55 715 12	67	55 964 02	74	56 032 02	116	56 042 31	48	56 045 40	42
25 563 01	82	31 033 01	178	32 359 35	102	55 715 51	67	55 964 06	74	56 032 12	116	56 042 33	48	56 045 41	42
25 563 05	82	31 041 82	56, 58	32 359 39	102	55 764 02	81	55 964 12	74	56 037 01	58	56 042 35	48	56 045 42	42
25 567 01	66	31 100 01	136	34 230 31	120	55 764 06	81	55 964 16	74	56 037 02	58	56 042 41	48	56 045 43	42
25 568 01	69	31 101 01	136	34 230 32	120	55 764 12	81	55 964 51	74	56 038 01	36	56 042 43	48	56 045 44	42
25 568 05	69	31 102 01	137	34 230 33	120	55 764 16	81	55 964 55	74	56 038 02	36	56 042 45	48	56 046 00	52
25 569 01	68	31 103 01	137	34 246 01	98	55 764 51	81	55 964 61	74	56 038 03	36	56 044 00	40	56 046 01	52
25 569 05	68	31 104 01	137	34 246 05	98	55 764 55	81	55 964 65	74	56 038 04	36	56 044 01	40	56 046 04	52
25 570 01	70	31 106 01	137	36 122 07	186	55 764 61	81	55 965 02	75	56 038 11	36	56 044 02	40	56 046 10	52
25 570 05	70	31 002 07	182	36 125 01	186	55 764 65	81	55 965 06	75	56 038 12	36	56 044 03	40	56 046 11	52
25 571 01	67	31 016 01	182	36 177 01	188	55 825 24	60	55 965 12	75	56 038 13	36	56 044 04	40	56 046 14	52
25 607 01	77	31 017 01	188	36 210 01	193	55 870 02	71	55 965 16	75	56 038 14	36	56 044 10	40	56 046 30	52
25 749 21	81	31 018 01	182	36 237 02	193	55 870 06	71	55 965 51	75	56 038 31	36	56 044 11	40	56 046 31	52
25 749 25	81	31 025 01	182	36 238 01	192	55 870 22	71	55 965 55	75	56 038 32	36	56 044 12	40	56 046 34	52
25 774 01	71	31 041 01	176	36 244 09	106	55 870 26	71	55 965 61	75	56 038 33	36	56 044 13	40	56 046 40	52
25 774 05	71	31 041 02	176	36 247 01	52	55 870 51	71	55 965 65	75	56 038 34	36	56 044 14	40	56 046 41	52
25 785 01	69	31 041 82	176	36 247 02	52	55 870 55	71	55 966 02	86	56 038 41	36	56 044 30	40	56 046 44	52
25 785 05	69	31 051 11	72	36 248 01	44	55 870 61	71	55 966 06	86	56 038 42	36	56 044 31	40	56 047 00	54
25 786 01	68	31 107 01	138	36 261 01	67	55 870 65	71	55 966 12	86	56 038 43	36	56 044 32	40	56 047 01	54
25 786 05	68	31 108 01	138	36 261 02	66	55 871 02	69	55 966 16	86	56 038 44	36	56 044 33	40	56 047 04	54
25 799 01	83	31 109 01	138	36 266 03	164	55 871 06	69	55 966 51	86	56 039 01	38	56 044 34	40	56 047 10	54
25 799 05	83	31 110 01	138	36 373 01	44	55 871 12	69	55 966 55	86	56 039 02	38	56 044 40	40	56 047 11	54
25 880 97	88	31 111 01	140	36 373 02	44	55 871 16	69	55 966 61	86	56 039 03	38	56 044 41	40	56 047 14	54
25 880 99	88	31 114 01	140	36 373 11	44	55 871 51	69	55 966 65	86	56 039 11	38	56 044 42	40	56 047 40	54
25 881 11	88	31 115 01	142	36 373 12	44	55 871 55	69	55 967 02	87	56 039 12	38	56 044 43	40	56 047 41	54
25 888 97	90	31 117 01	142	36 373 21	44	55 871 61	69	55 967 06	87	56 039 13	38	56 044 44	40	56 047 44	54
25 985 01	84	31 118 01	136	36 373 22	44	55 871 65	69	55 967 12	87	56 039 31	38	56 045 00	42		
25 997 97	89	31 118 03	137	36 373 31	44	55 872 02	68	55 967 16	87	56 039 32	38	56 045 01	42		
25 997 99	89	31 120 01	146	36 373 32	44	55 872 06	68	55 967 51	87	56 039 33	38	56 045 02	42		
26 021 01	192	31 121 02	146	36 373 42	44	55 872 12	68	55 967 55	87	56 039 41	38	56 045 03	42		
26 068 05	118	31 122 01	146	36 416 01	52	55 872 16	68	55 967 61	87	56 039 42	38	56 045 04	42		
26 068 06	118	31 123 01	148	36 416 02	52	55 872 51	68								
26 129 11	89	31 124 01	148	36 480 05	94	55 872 55	68								
26 151 01	74	31 125 01	148	36 480 09	94	55 872 61	68								
26 151 05	74	31 128 01	137	36 481 05	96	55 872 65	68								
26 155 01	75	31 131 01	137	36 743 03	186	55 873 02	70								
26 155 05	75	31 132 01	56, 58	36 768 01	186	55 873 06	70								
26 157 01	86	31 133 02	56, 58	36 790 15	100	55 873 12	70								
26 157 05	86	31 151 01	187	36 790 19	100	55 873 16	70								
26 161 01	87	31 152 01	187	36 830 01	162	55 873 51	70								
26 161 05	87	31 163 01	150	36 852 01	186	55 873 55	70								
30 017 11	188	31 164 10	152	36 852 07	56	55 873 61	70								
30 141 01	160	31 164 20	152	36 852 99	56	55 873 65	70								
30 142 01	160	32 001 15	110	36 968 07	104	55 874 02	82								
30 143 01	160	32 001 19	110	36 972 11	128	55 874 06	82								
30 144 01	160	32 063 05	104	36 974 71	179	55 874 12	82								
30 146 01	160	32 063 09	104	36 974 81	179	55 874 16	82								
30 150 51	164	32 063 15	104	36 975 02	128	55 874 51	82								
30 150 55	164	32 063 19	104	36 996 01	188	55 874 55	82								
30 151 01	164	32 063 31	104	38 817 21	66	55 874 61	82								
30 151 05	164	32 063 35	104	38 817 51	66	55 874 65	82								
30 152 01	168	32 153 09	106	38 970 06	126	55 875 02	76								
30 152 05	168	32 153 19	106	38 970 16	126	55 875 06	76								
30 153 05	170	32 153 59	106	38 970 38	44	55 875 12	76								
30 154 01	172	32 153 69	106	39 304 40	44	55 875 16	76								
30 154 05	172	32 171 35	112	39 416 01	52	55 875 51	76								
30 156 01	166	32 348 05	100	36 416 02	52	55 875 55	76								
30 156 05	166	32 348 09	100	39 422 51	188	55 875 61	76								
30 161 01	162	32 348 15	100	39 903 02	186	55 875 65	76								
30 162 01	166	32 348 19	100	40 271 03	156	55 876 02	77								
30 170 11	73	32 348 35	100	40 968 15	130	55 876 06	77								
30 178 01	178	32 348 39	100	40 969 15	130	55 876 12	77								
30 226 02	182	32 351 15	108	55 559 24	60	55 876 16	77								
30 263 07	174	32 351 16	108	55 608 02	84	55 876 51	77								
30 263 52	56, 58	32 351 35	108	55 608 12	84	55 876 55	77								

Overview ChannelLine samples and covers, 300 mm					
	Profile & Cover		profile		Cover
	Opal	Aluminium	Stainless steel look	Black	Opal
ChannelLine A	50 000 01	-	-	-	-
ChannelLine C	-	50 003 01	-	50 004 01	50 009 01
ChannelLine C2	-	50 001 01	-	50 002 01	50 009 01
ChannelLine D	-	50 005 01	-	50 006 01	50 009 01
ChannelLine D2	-	50 007 01	-	50 008 01	50 009 01
ChannelLine F	50 012 01	-	-	-	-
ChannelLine G	-	50 013 01	-	50 014 01	50 017 01
ChannelLine G2	-	50 015 01	-	50 016 01	50 017 01
ChannelLine H	50 020 01	-	-	-	-
ChannelLine i	-	50 021 01	-	50 022 01	50 026 01
ChannelLine i2	-	50 023 01	-	50 024 01	50 026

4-Mitter Smart	142	ChannelLine sensor switch	72	MultiSwitch Master	160
AddLite	98	ChannelLine T1	88	MultiSwitch PIR	168
Ballast 12 Volt DC	182	ChannelLine T2	89	MultiSwitch push button	170
Ballast 12 Volt DC dimmable via 230 Volt	184	ChannelLine U	74	MultiSwitch Touch	172
Ballast 24 Volt DC	188	ChannelLine U2	75	QuadroPoint	126
Basic Control MultiWhite	154	CircleLite78	94	Repeaters	174
Basic Touch Control MultiWhite	156	ConeLite 58	104	Retaining profile Versa	90
Cable clips	192	Dimming module Dali	176	S-Mitter Basic MultiWhite Smart	148
Cabel Canal	192	EcoSpot 58	106	S-Mitter MultiWhite Smart	146
ChannelLine A	66	GlassLine	124	S-Mitter Smart	140
ChannelLine boom	118	GlassLine Up&Down	122	Smart receiver	136
ChannelLine motion detector	73	HandleLine Profile	78	Smart wall transmitter	150
ChannelLine C	68	HV adapter / distributor	193	SideSpot 35	112
ChannelLine C2	68	InnoLine	120	USB socket	190
ChannelLine D	70	IrisLite68	96	USB-C double socket	191
ChannelLine D2	71	Leads 12 Volt DC	186	Versa Fix 4x6	48
ChannelLine F	85	LitePac	187	Versa Fix 8x12	50
ChannelLine G	76	LitePanel 58	102	Versa Inside 1200	42
ChannelLine G2	77	LitePanel 68	100	Versa Inside 1200 24VDC	52
ChannelLine H	80	LitePipe slim	116	Versa Inside 2100 24VDC	54
ChannelLine i	82	LuckyLine	128	Versa Inside 600	40
ChannelLine i2	83	Microwave motion detector	152	Versa Inside MaxiColor PnP	56
ChannelLine i3	84	Miles	130	Versa Linear 1200	38
ChannelLine J	67	MiniSpot 15	110	Versa Linear 600	36
ChannelLine K2	81	MoveSpot 40	106	Versa Linear MaxiColor	58
ChannelLine S	86	MultiSwitch Contact	164	Versa Linear mini	46
ChannelLine S2	87	MultiSwitch MagicSwitch	162	X-Mitter Smart	138
		MultiSwitch Magnet	166		

Find our products on the web
www.HALEMEIER.de

Overview of additional ChannelLine covers

	Clear		Opal		
	2000 mm	3000 mm	2000 mm	2500 mm	3000 mm
Cover profile for ChannelLine C, C2, D, D2	25 360 98	25 360 99	25 776 98	25 776 97	25 776 99
Cover profile for ChannelLine C, C2, D, D2 (set of 10)	25 360 60	25 360 62	25 776 60	25 776 61	25 776 62
Cover profile for ChannelLine i, i2, i3	-	-	25 849 02	25 849 97	25 849 03
Cover profile for ChannelLine i, i2, i3 (set of 10)	-	-	25 849 60	25 849 61	25 849 62

Halemeier GmbH
 Lange Straße 51
 49326 Melle-Neuenkirchen
 Germany

Tel: +49 (0) 5428-50380-0

info@halemeier.de
 www.halemeier.de

We reserve all rights to this catalogue under copyright law.

Reproduction of this catalogue, in whole or in part, is only permitted with our prior written consent. Subject to technical alterations.

Product images similar to actual products (digitally rendered). Errors and omissions excepted. Subject to colour variations.

2024

Order no. 17 985 02

