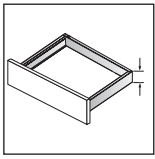
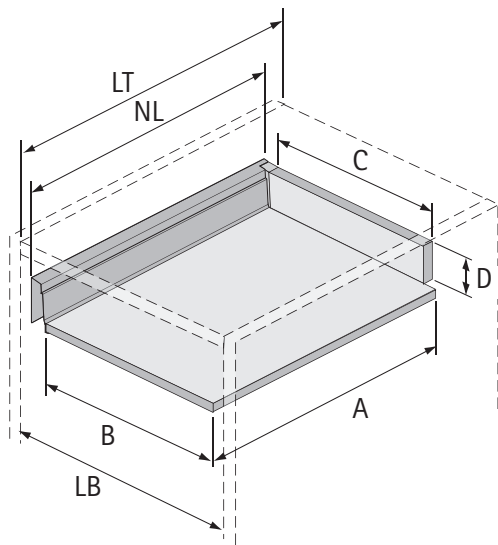


InnoTech Atira

i

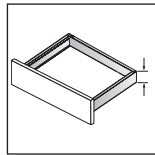


H 54

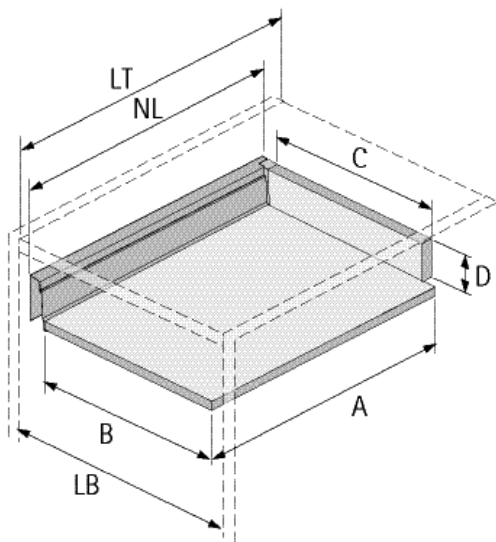


	Stahlrückwand/ Steel rear panel	Holzrückwand/ Wooden rear panel
A	NL - 3	NL + 10
B	LB - 2 x EB - 51,5	LB - 2 x EB - 51,5
C	-	LB - 2 x EB - 63
D	-	53

i

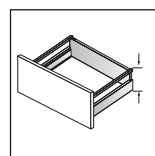


H 70

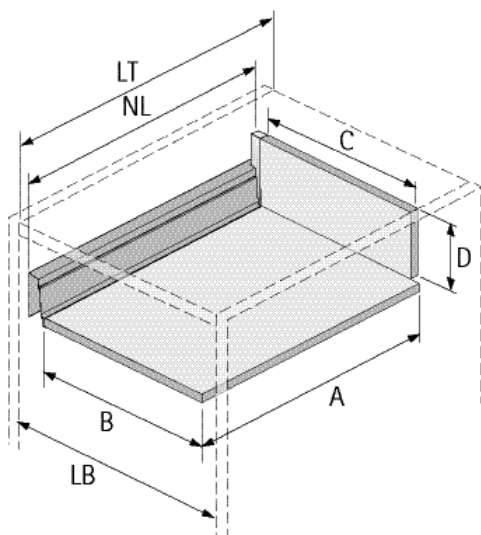


	Stahlrückwand/ Steel rear panel	Holzrückwand/ Wooden rear panel	Aluminiumrückwand/ Aluminium rear panel
A	NL - 3	NL + 10	NL - 3
B	LB - 2 x EB - 51,5	LB - 2 x EB - 51,5	LB - 2 x EB - 51,5
C	-	LB - 2 x EB - 63	LB - 2 x EB - 63
D	-	65,5	-

i

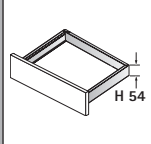


H 144
H 176



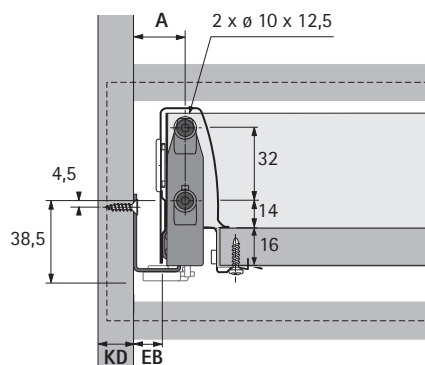
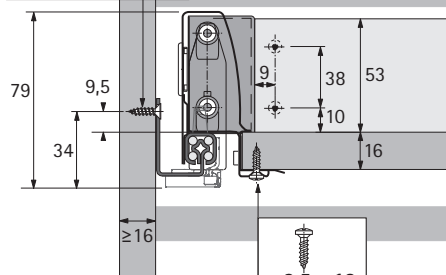
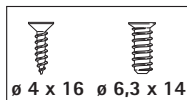
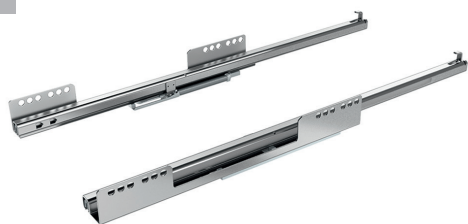
	Stahlrückwand/ Steel rear panel	Holzrückwand/ Wooden rear panel	Aluminiumrückwand/ Aluminium rear panel
A	NL - 3	NL + 10	NL - 3
B	LB - 2 x EB - 51,5	LB - 2 x EB - 51,5	LB - 2 x EB - 51,5
C	-	LB - 2 x EB - 63	LB - 2 x EB - 63
D	-	144	-

	Stahlrückwand/ Steel rear panel	Holzrückwand/ Wooden rear panel
A	NL - 3	NL + 10
B	LB - 2 x EB - 51,5	LB - 2 x EB - 51,5
C	-	LB - 2 x EB - 63
D	-	176

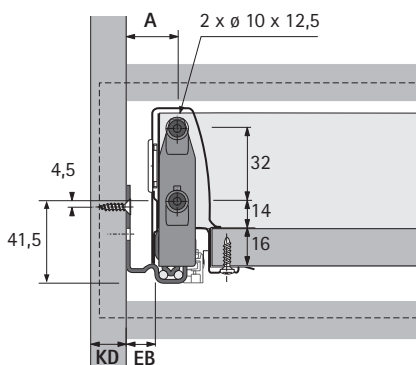
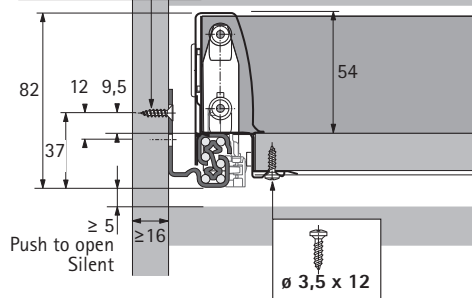
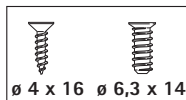


i

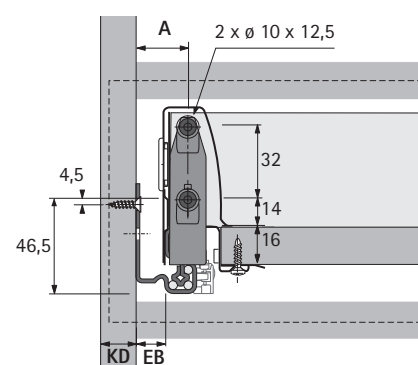
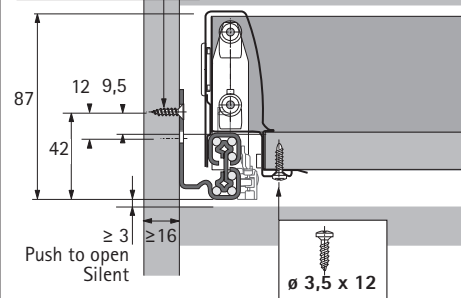
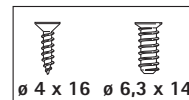
Quadro 25



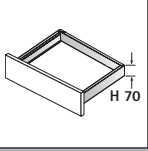
Quadro V6



Quadro V6+



KD mm	16	18	19
EB mm	12,5	10,5	9,5
A mm	23	21	20

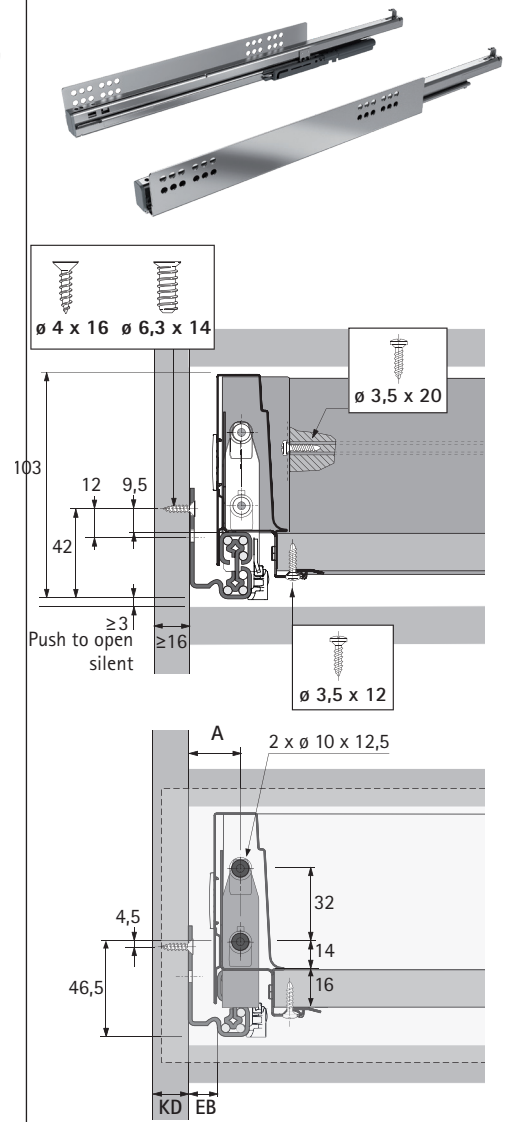
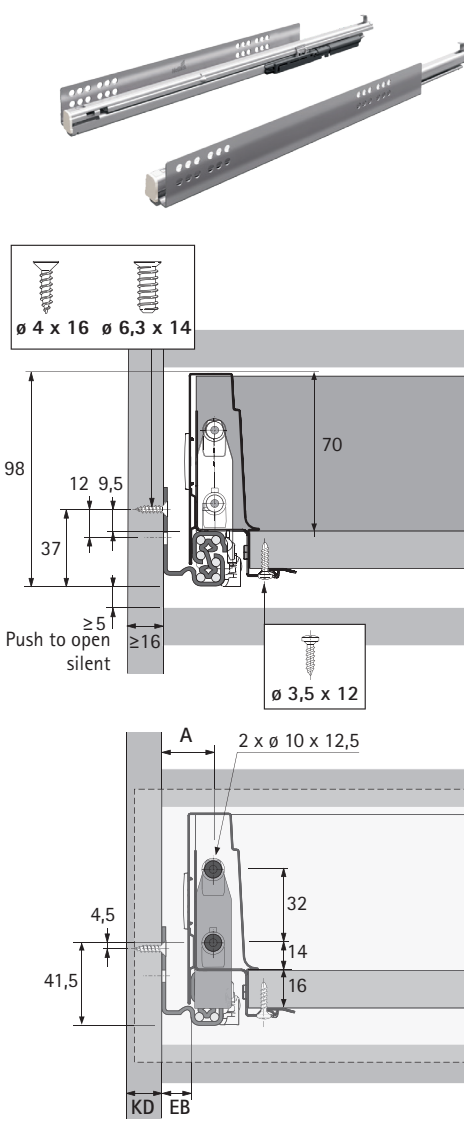
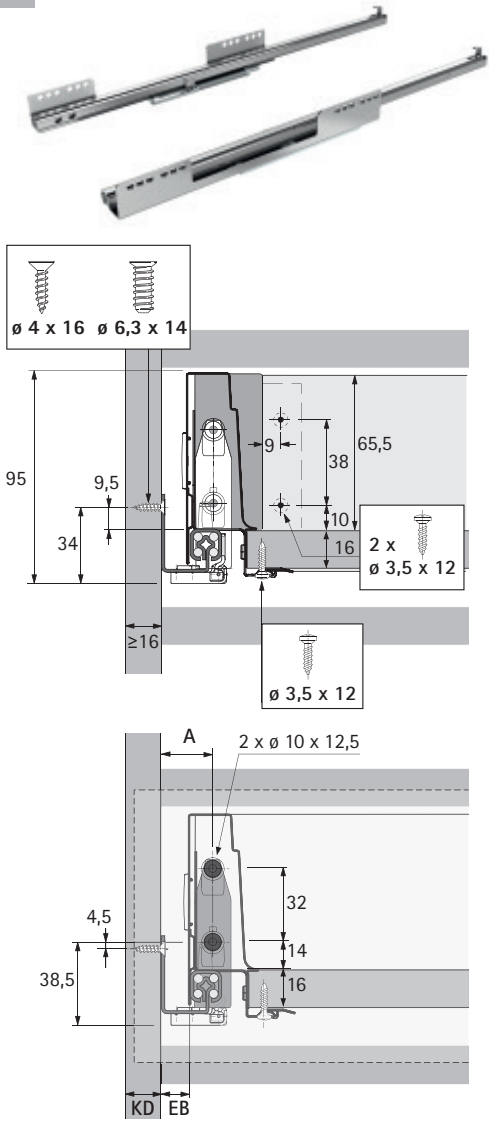


i

Quadro 25

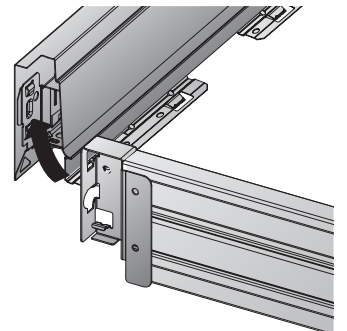
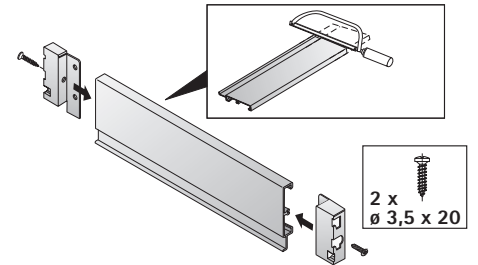
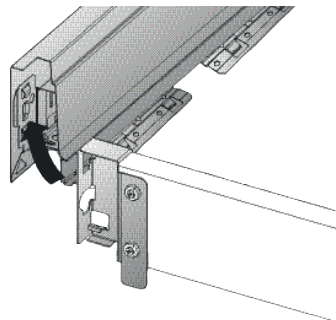
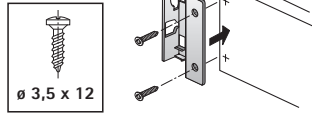
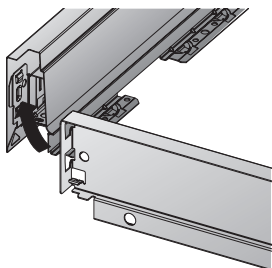
Quadro V6

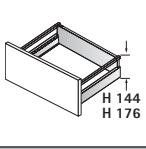
Quadro V6+



KD mm	16	18	19
EB mm	12,5	10,5	9,5
A mm	23	21	20

1



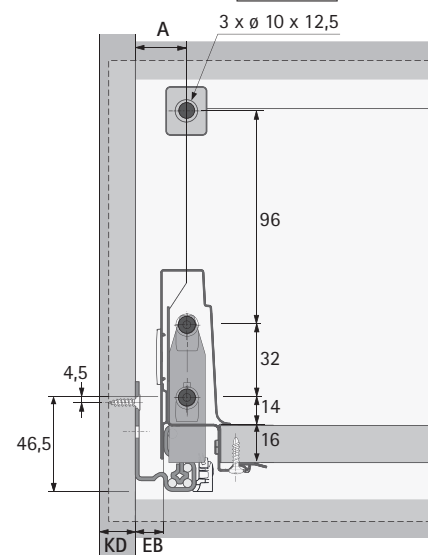
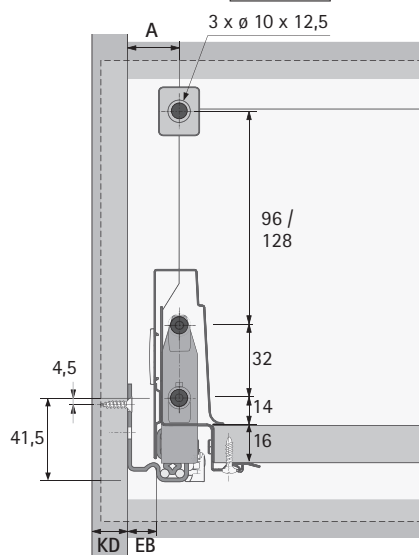
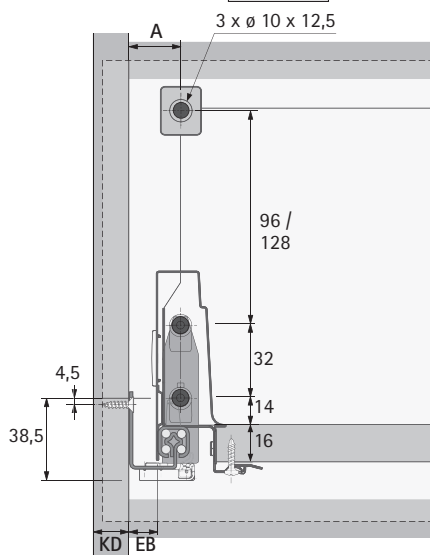
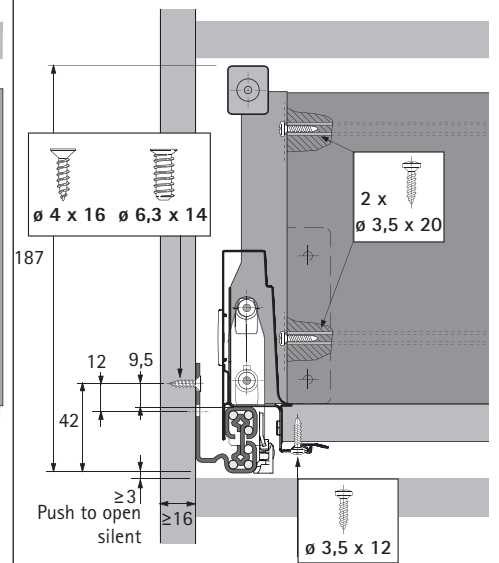
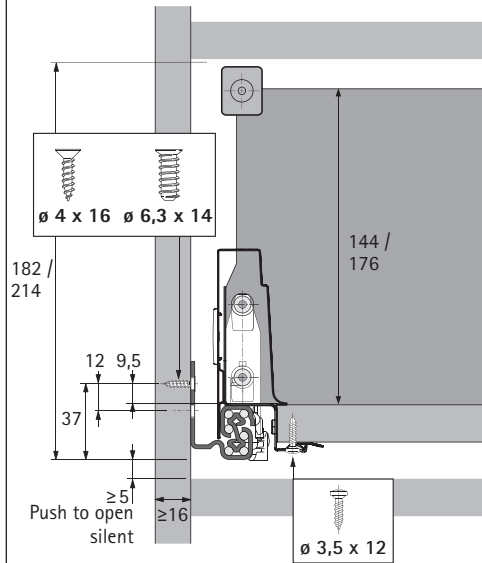
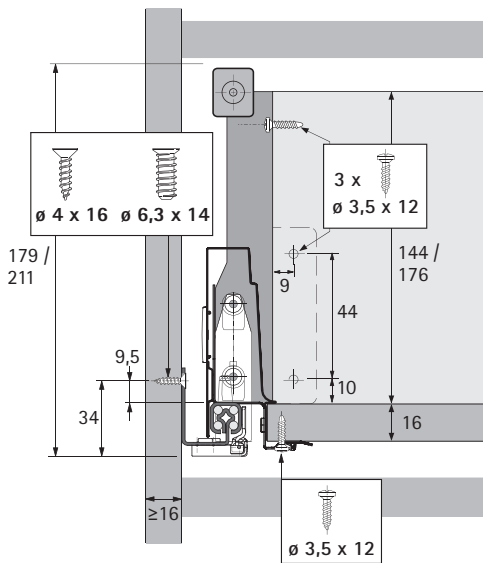


i

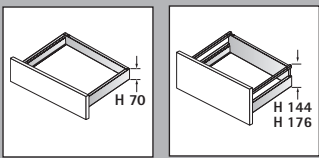
Quadro 25

Quadro V6

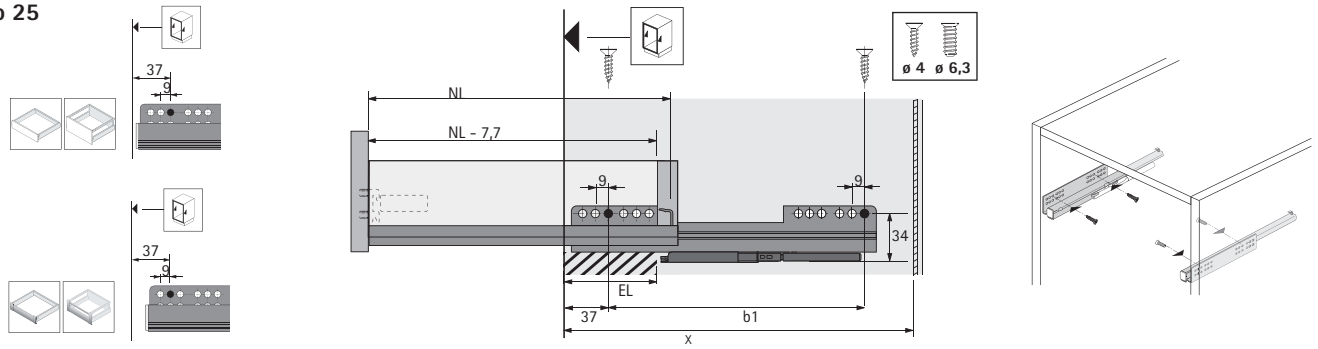
Quadro V6+



KD mm	16	18	19
EB mm	12,5	10,5	9,5
A mm	23	21	20

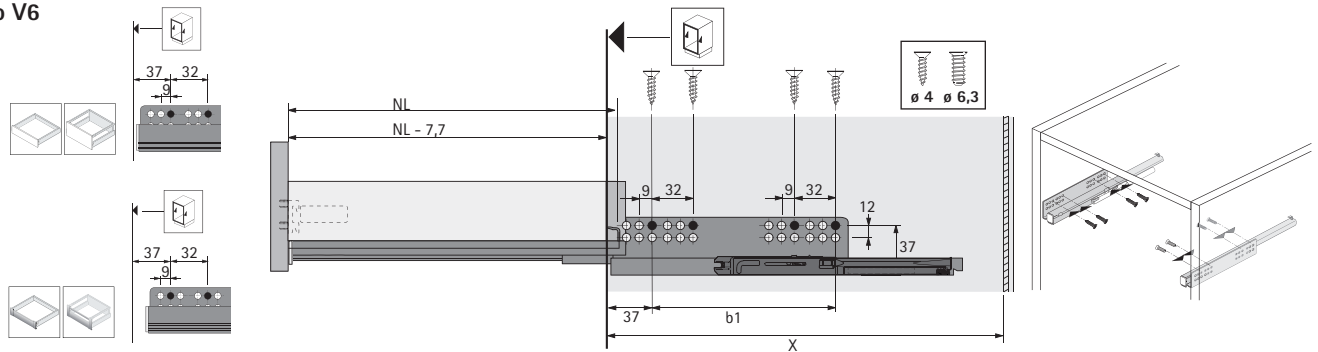


i Quadro 25



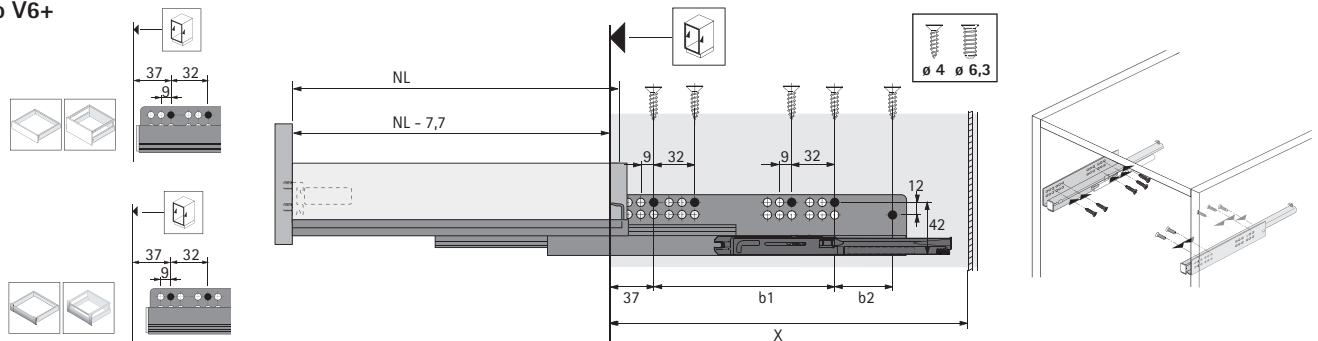
NL mm	b1 mm	EL mm	X mm	X mm
260	160	50	279	288
300	160	70	315	324
350	160	70	365	374
420	256	82	435	444
470	256	94	485	494
520	256	106	535	544

Quadro V6

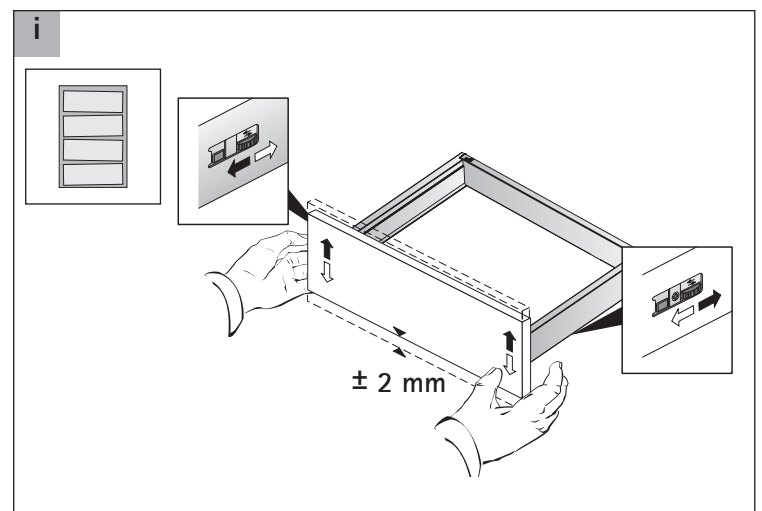
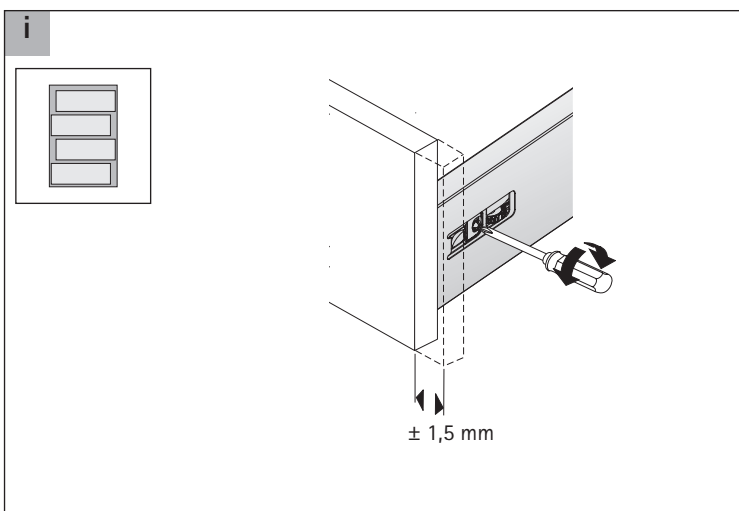
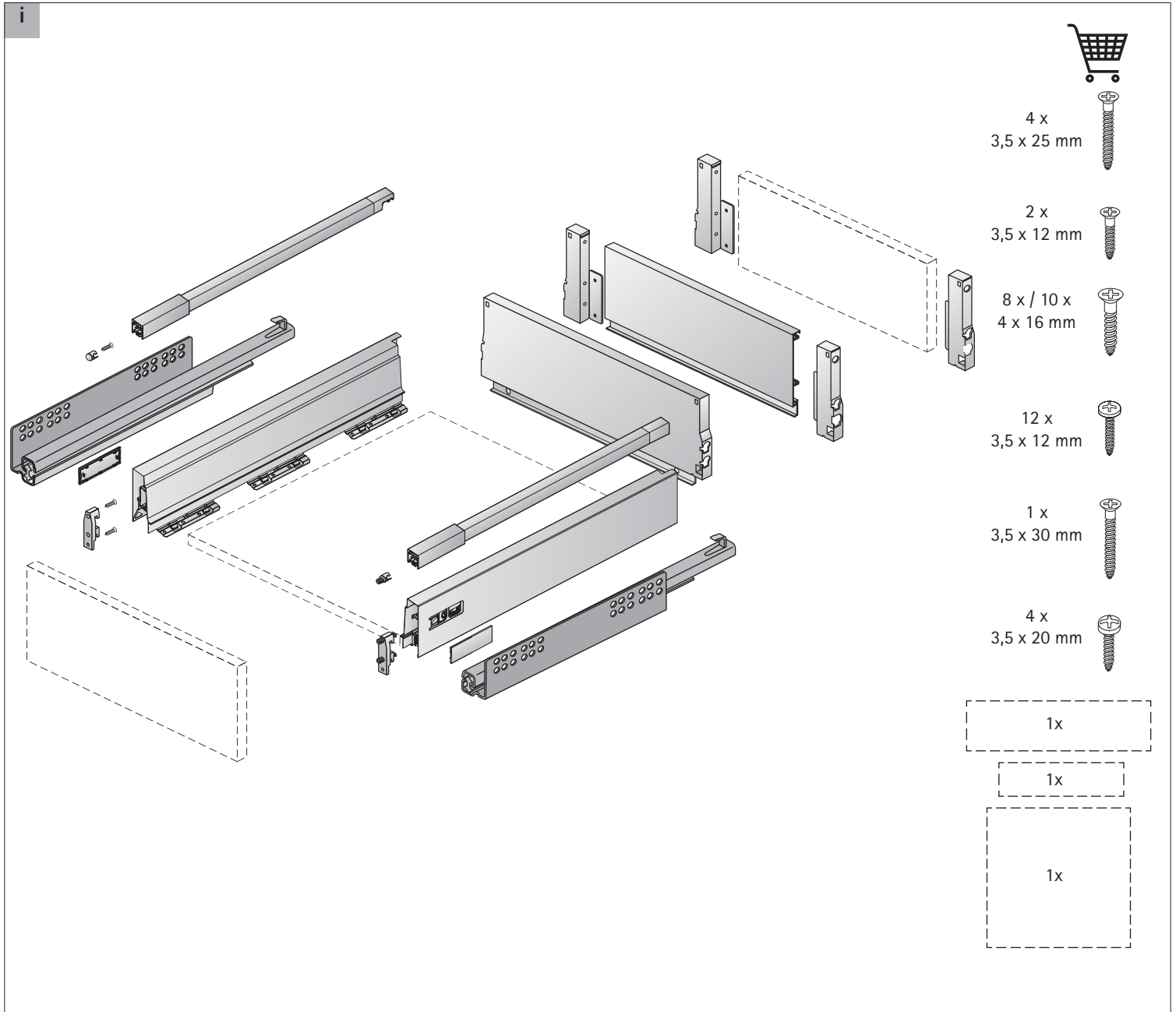


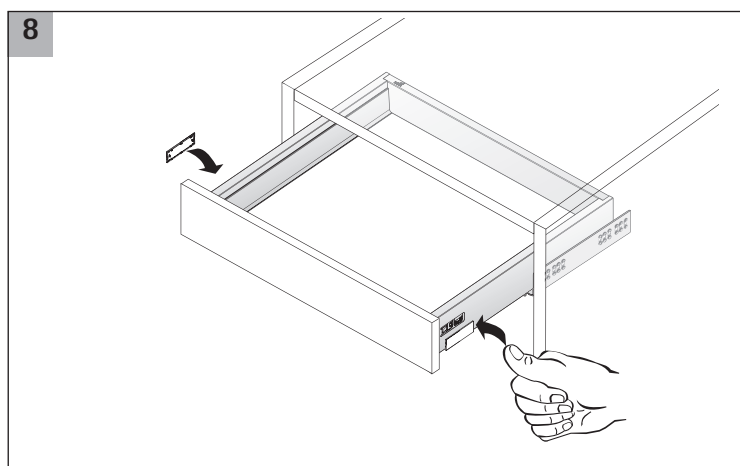
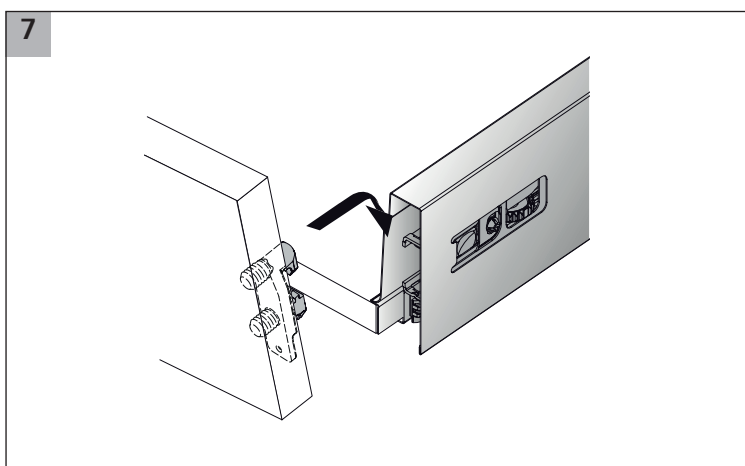
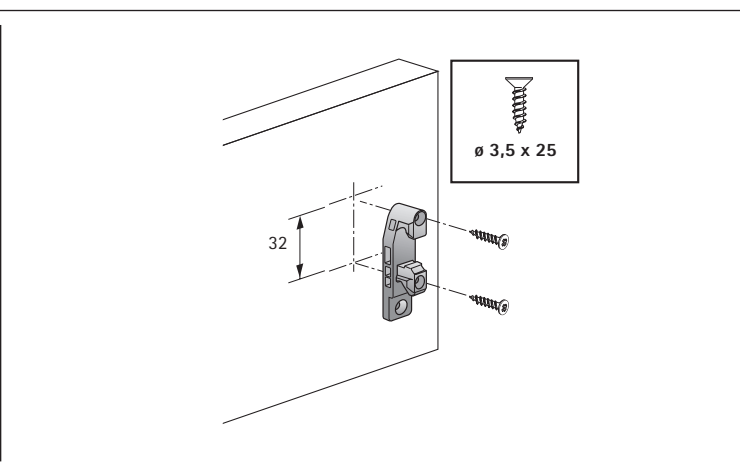
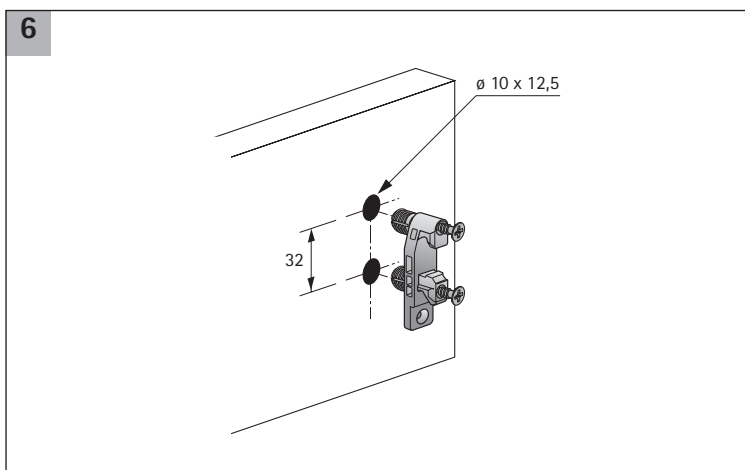
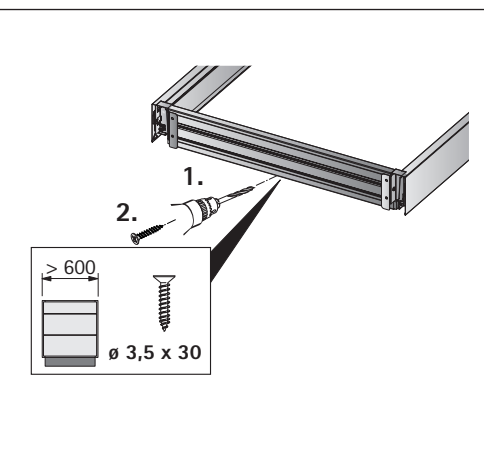
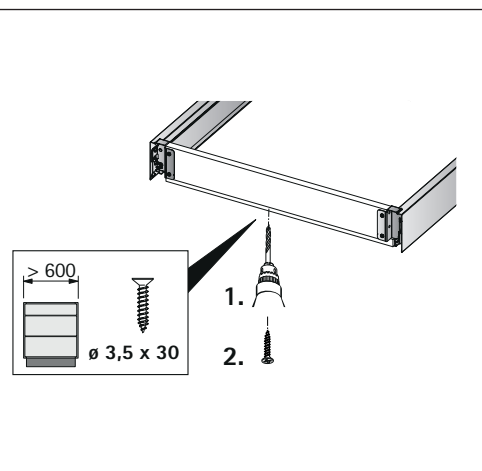
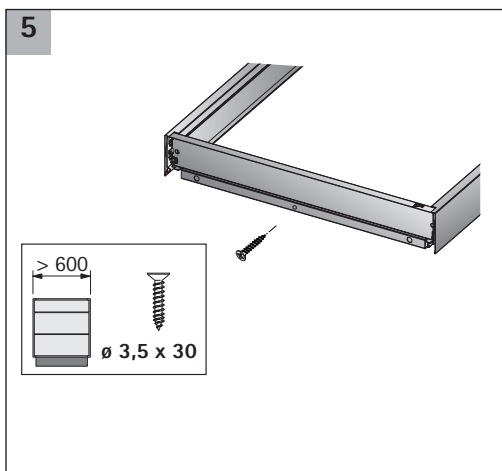
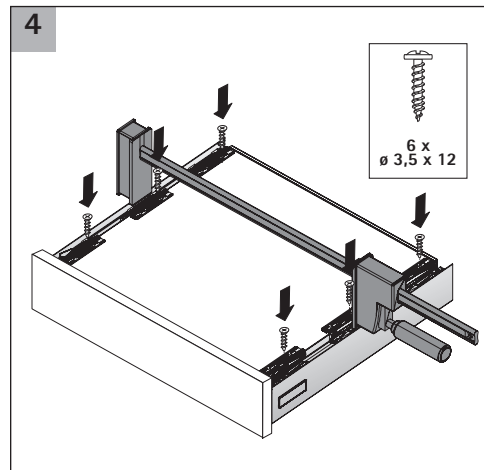
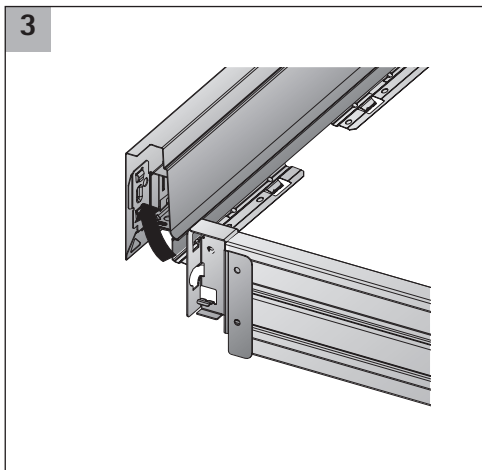
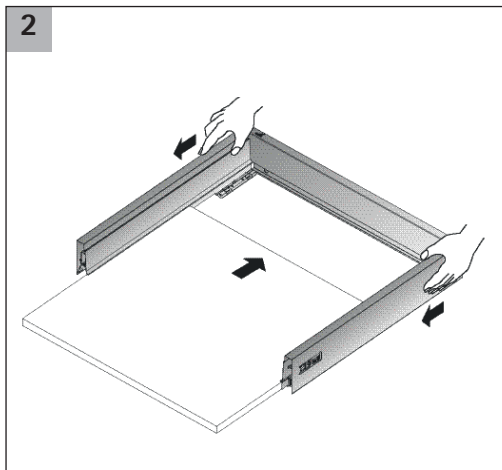
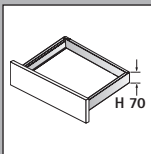
NL mm	b1 mm	X mm	X mm
260	160	279	288
300	160	315	324
350	160	365	374
420	224	435	444
470	256	485	494
520	256	535	544

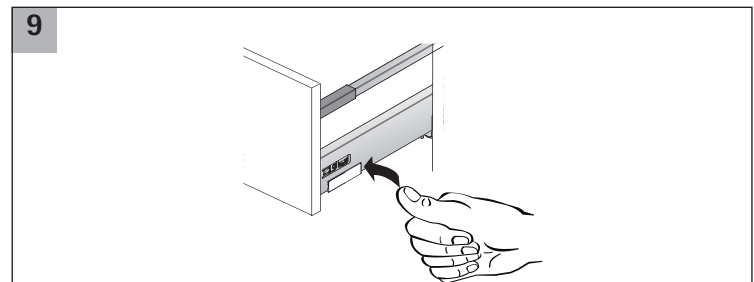
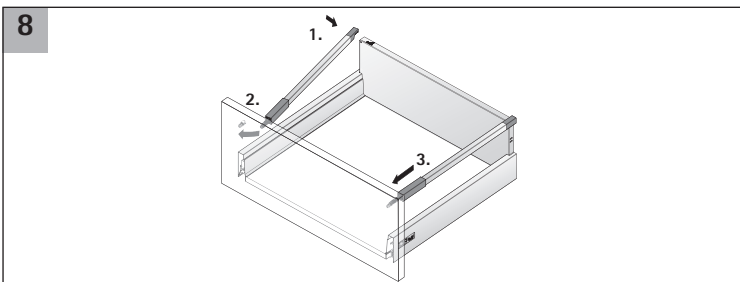
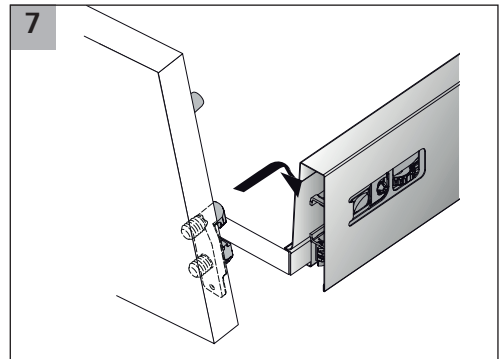
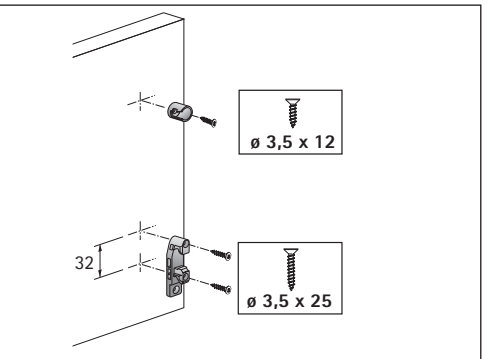
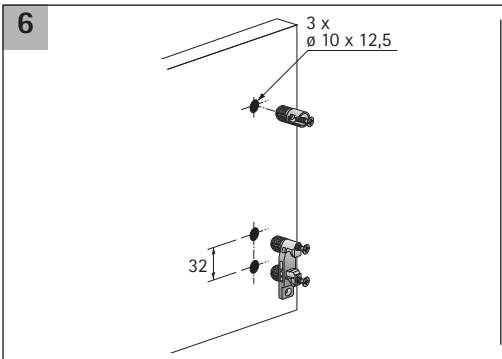
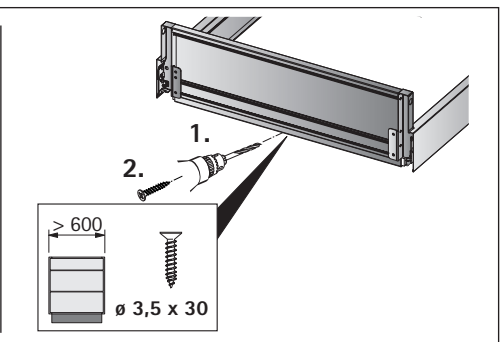
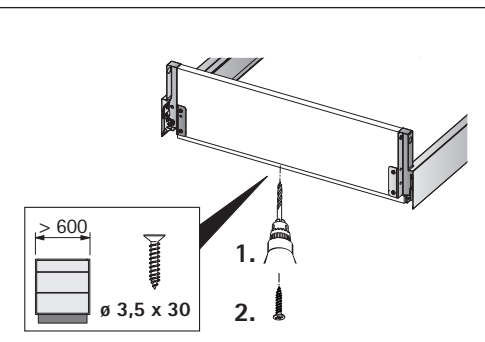
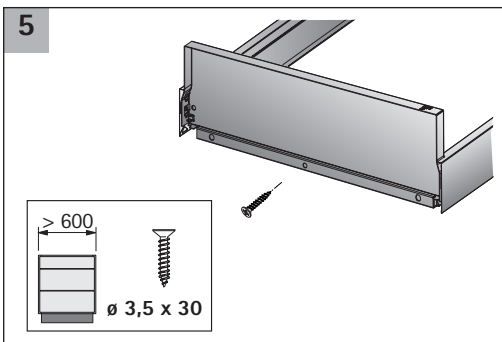
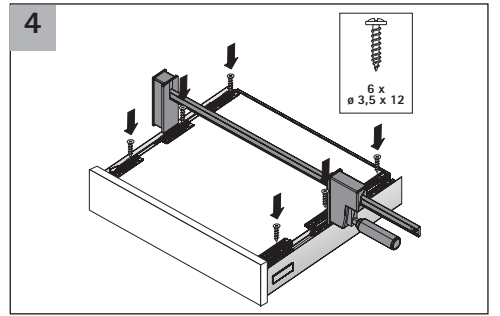
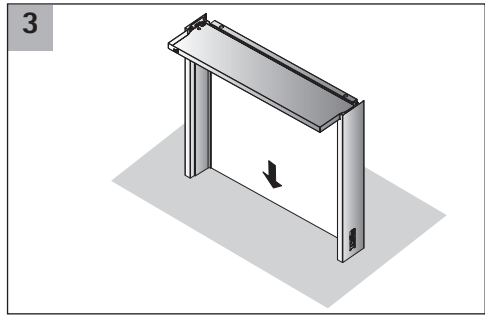
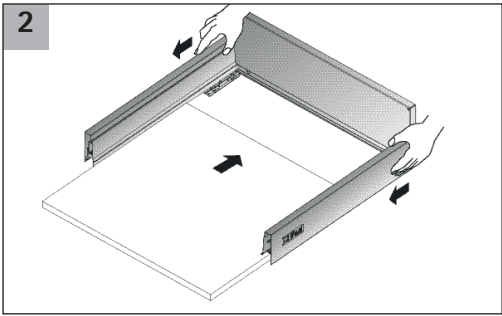
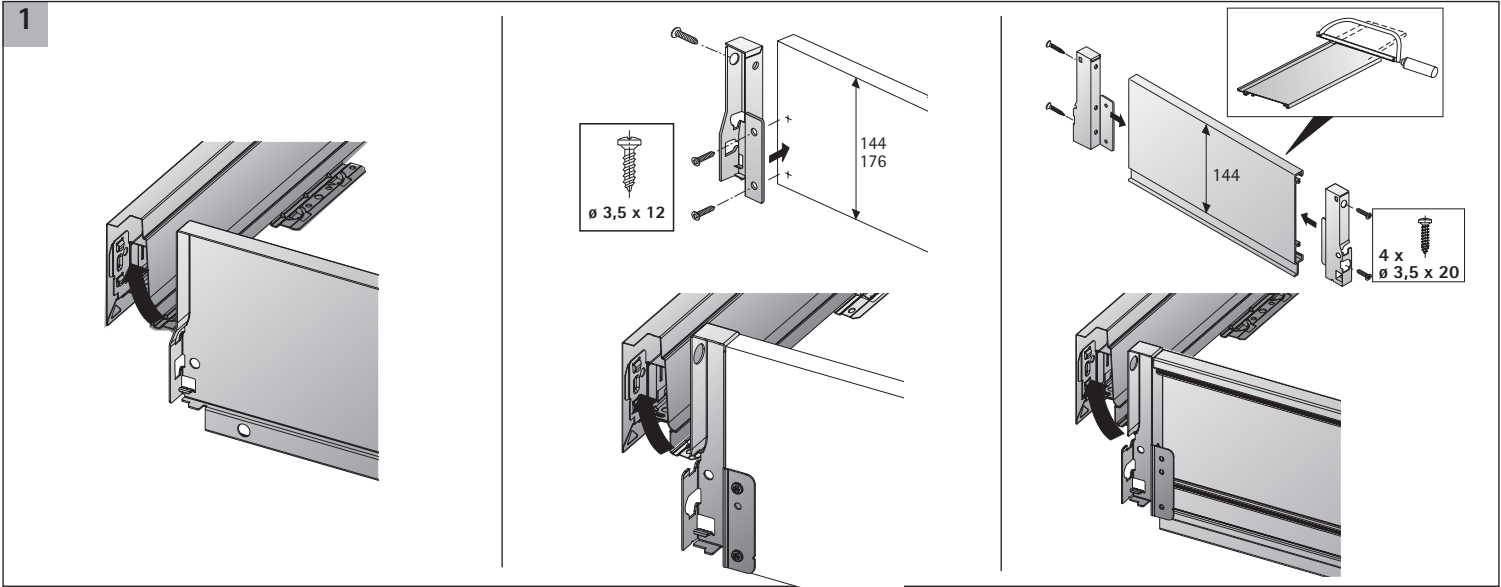
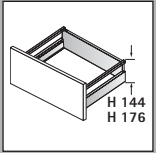
Quadro V6+

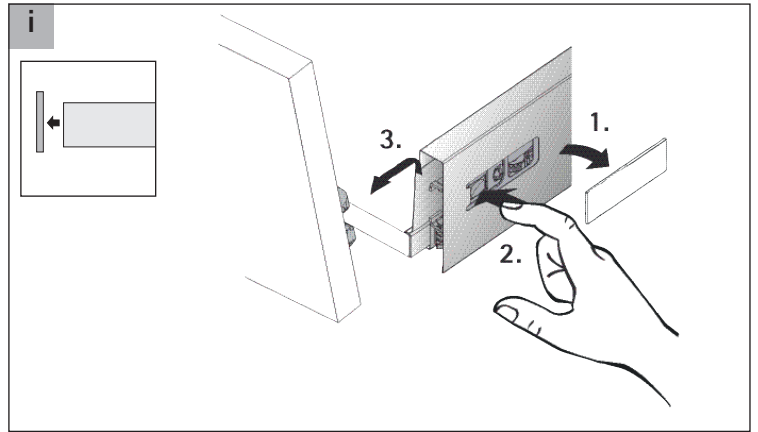
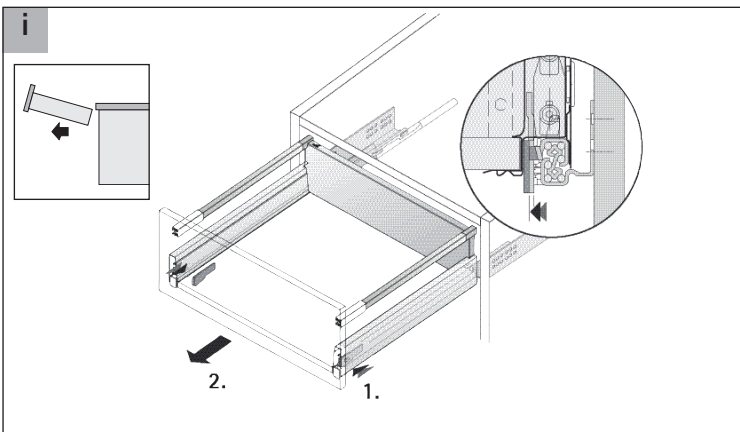
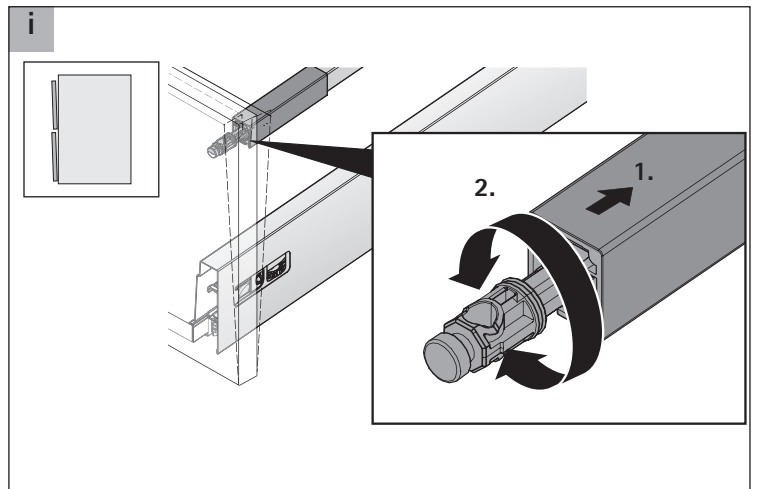
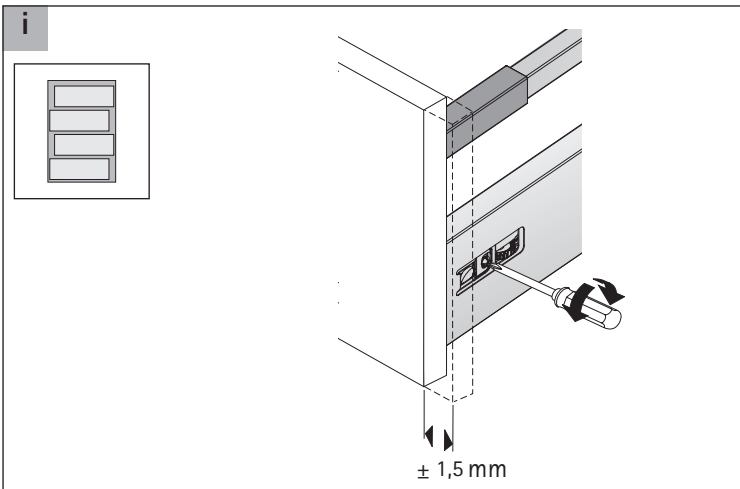
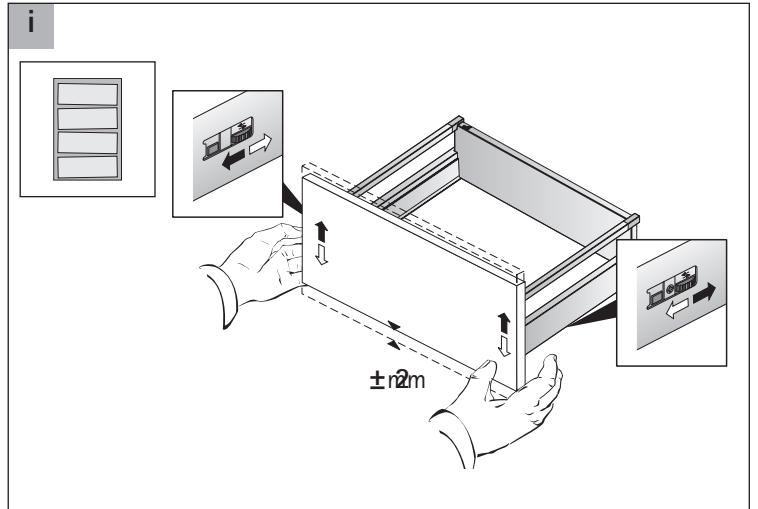
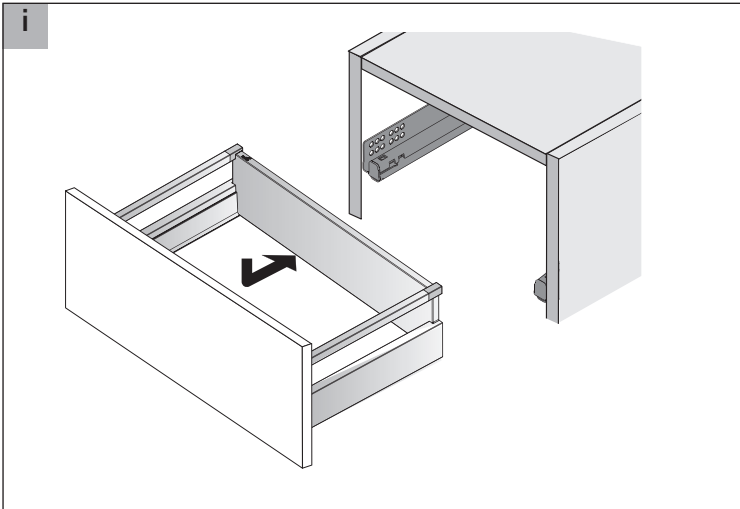
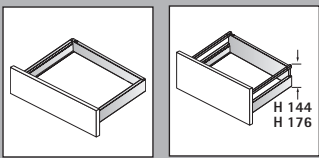


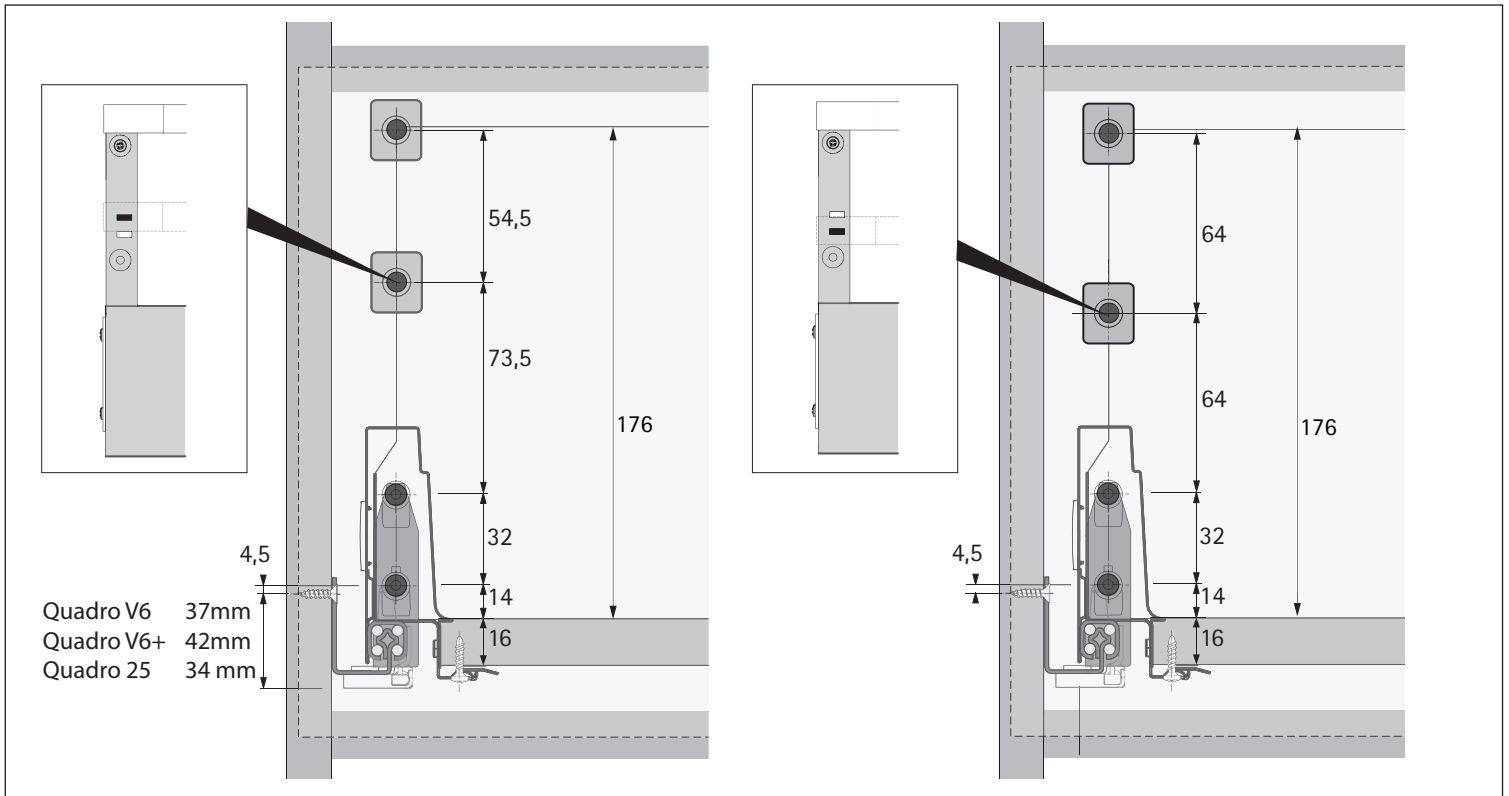
NL mm	b1 mm	b2 mm	X mm	X mm
300	160	-	315	324
350	192	-	365	374
420	224	-	435	444
470	256	-	485	494
520	256	-	535	544
620	352	64	635	644



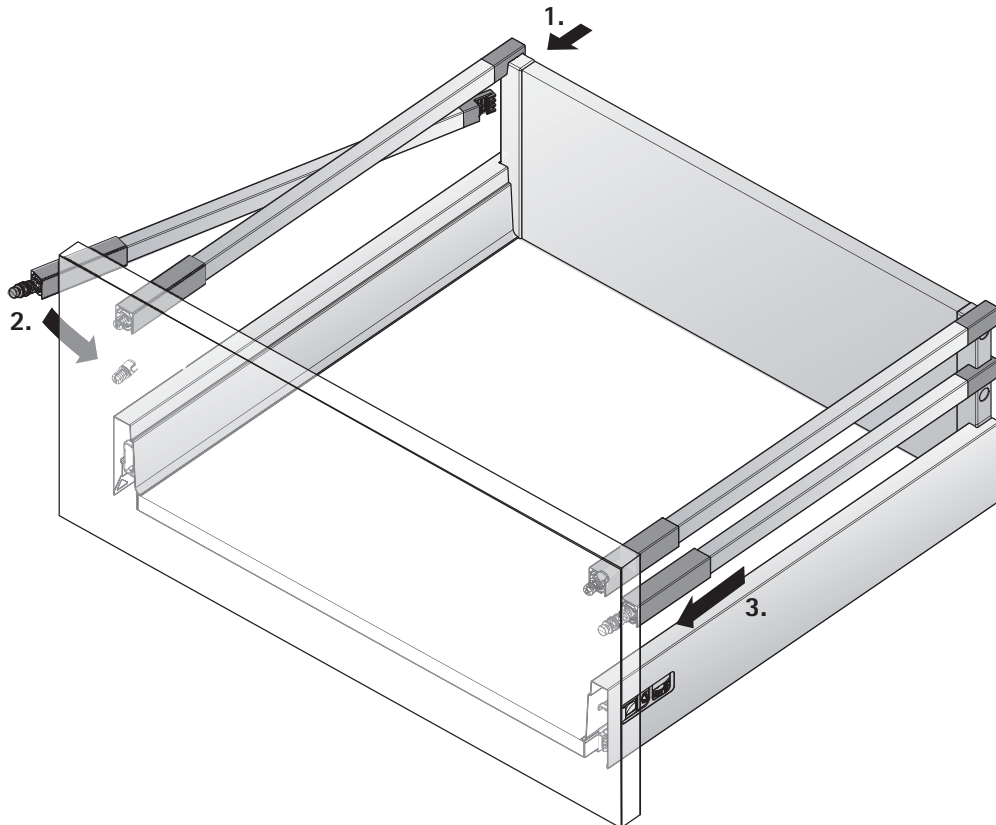








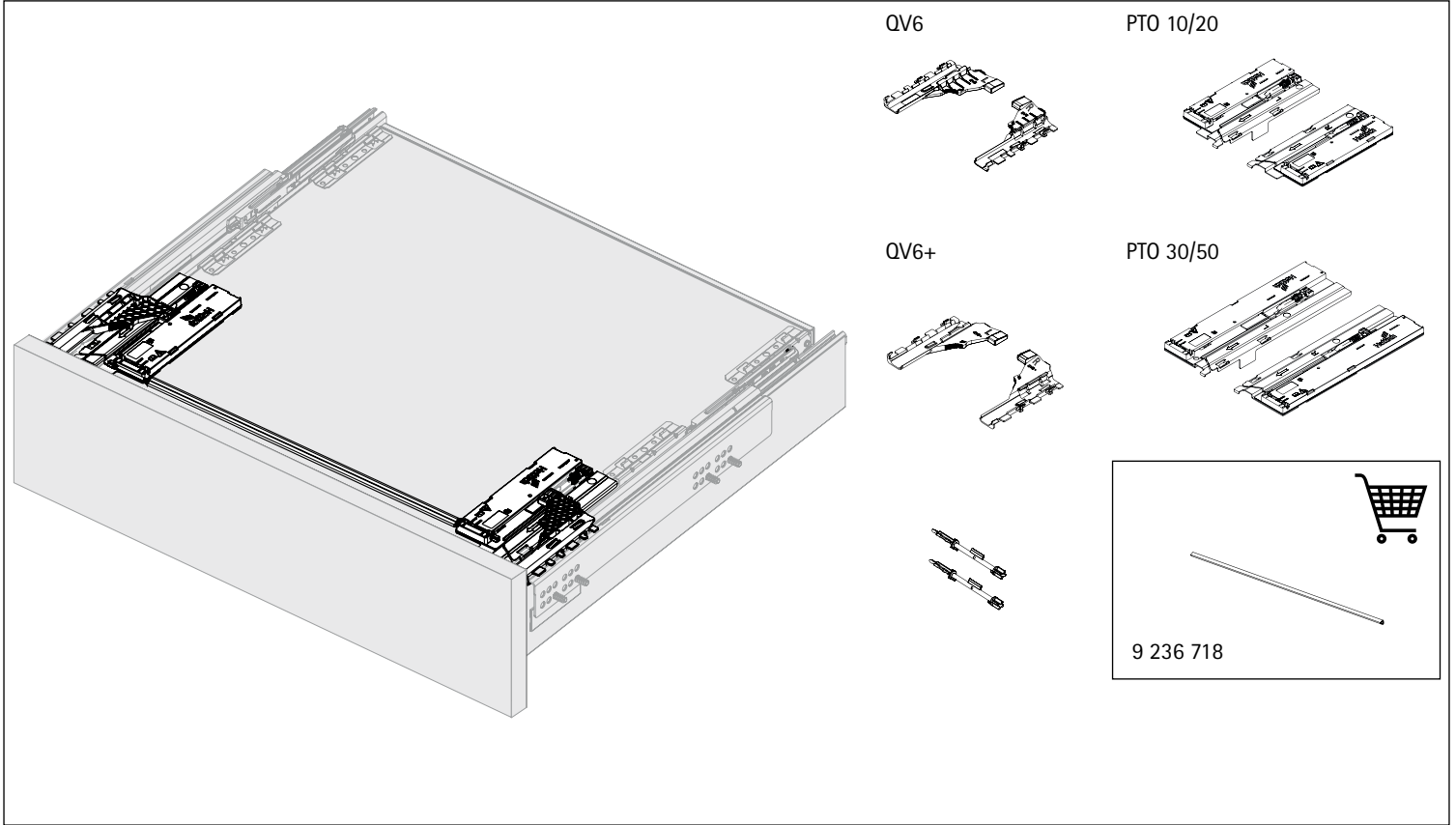
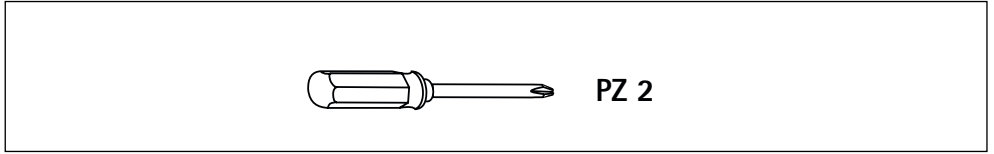
1



InnoTech Atira

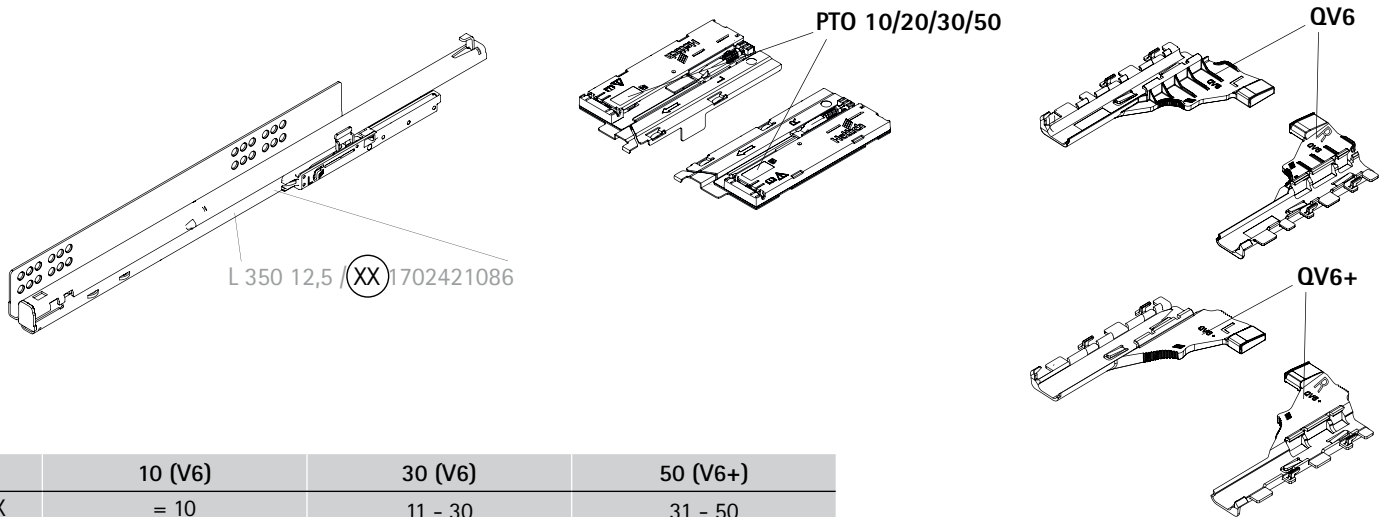
Push to open Silent

Technik für Möbel

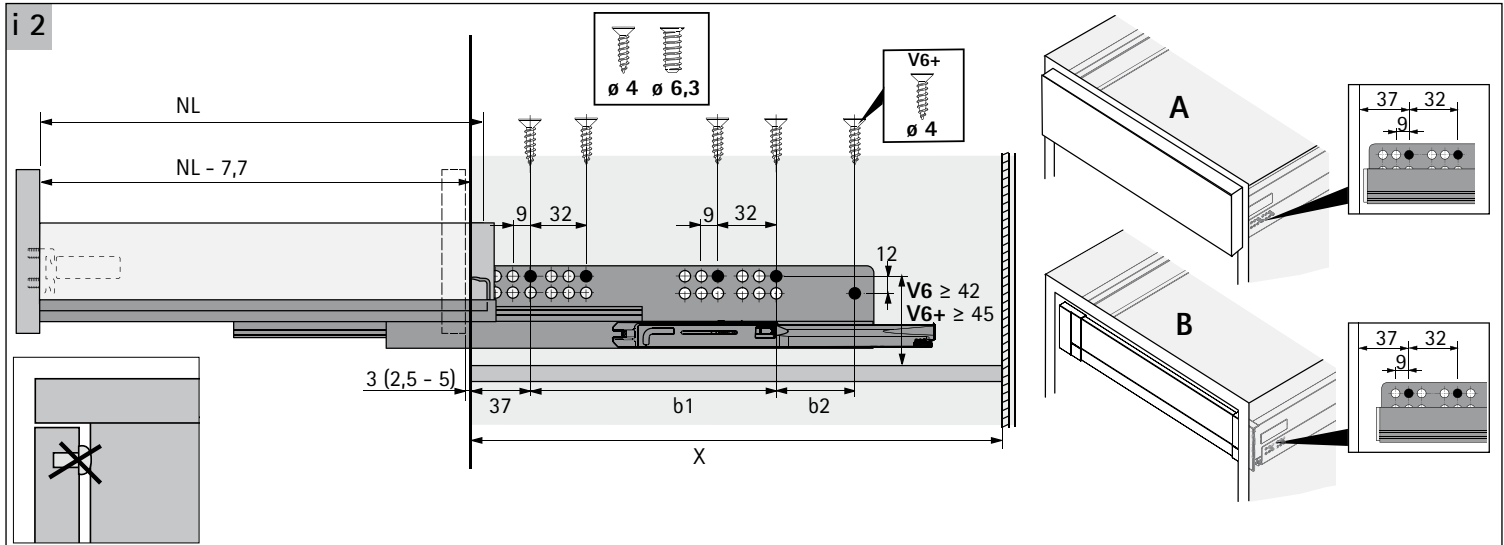


i 1

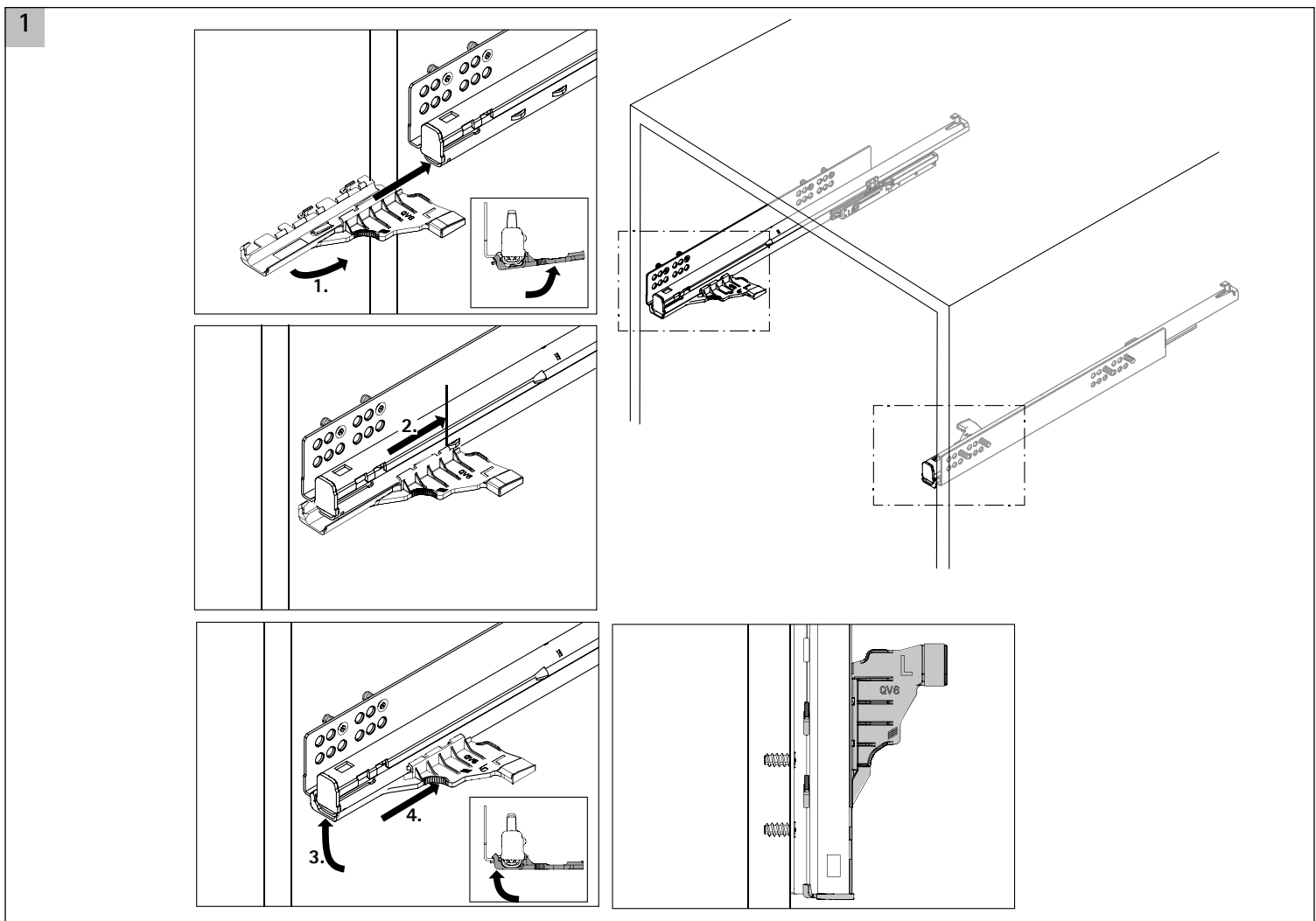
kg	kg	mm	
< 10	10 (V6)	260 - 350	PTO 10
8 - 20	30 (V6)	260 - 520	PTO 20
10 - 30	30 (V6)	260 - 520	PTO 30
20 - 50	50 (V6+)	300 - 620	PTO 50

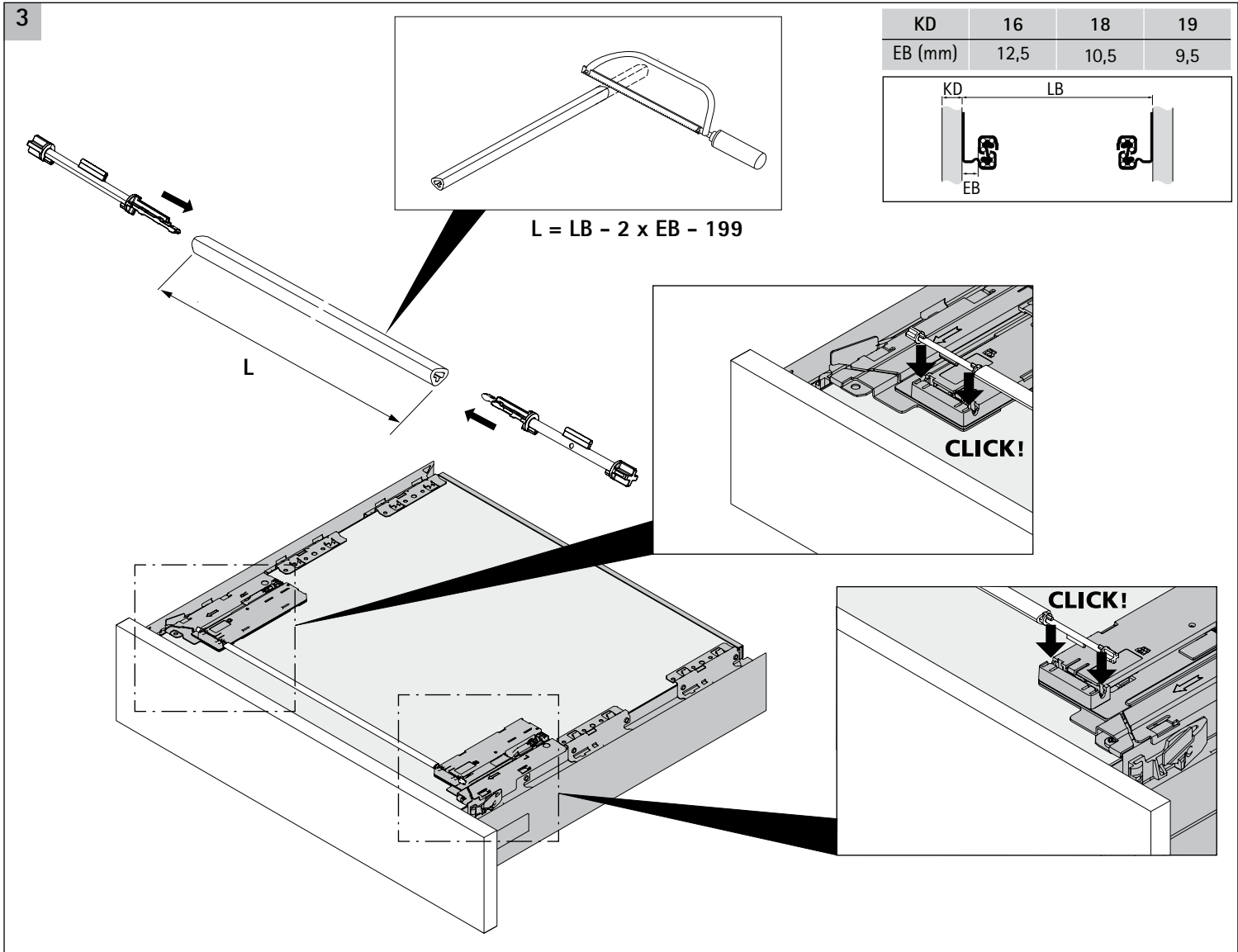
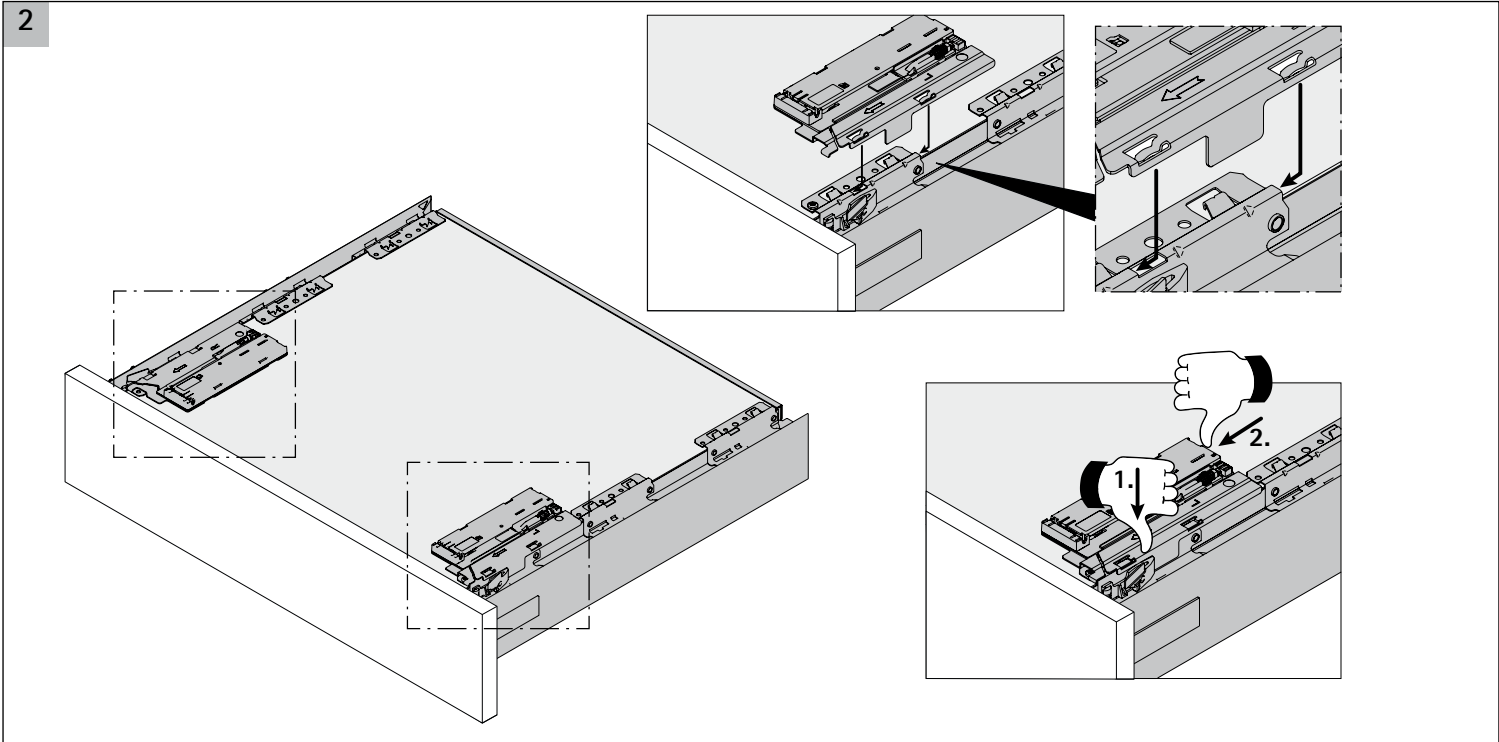


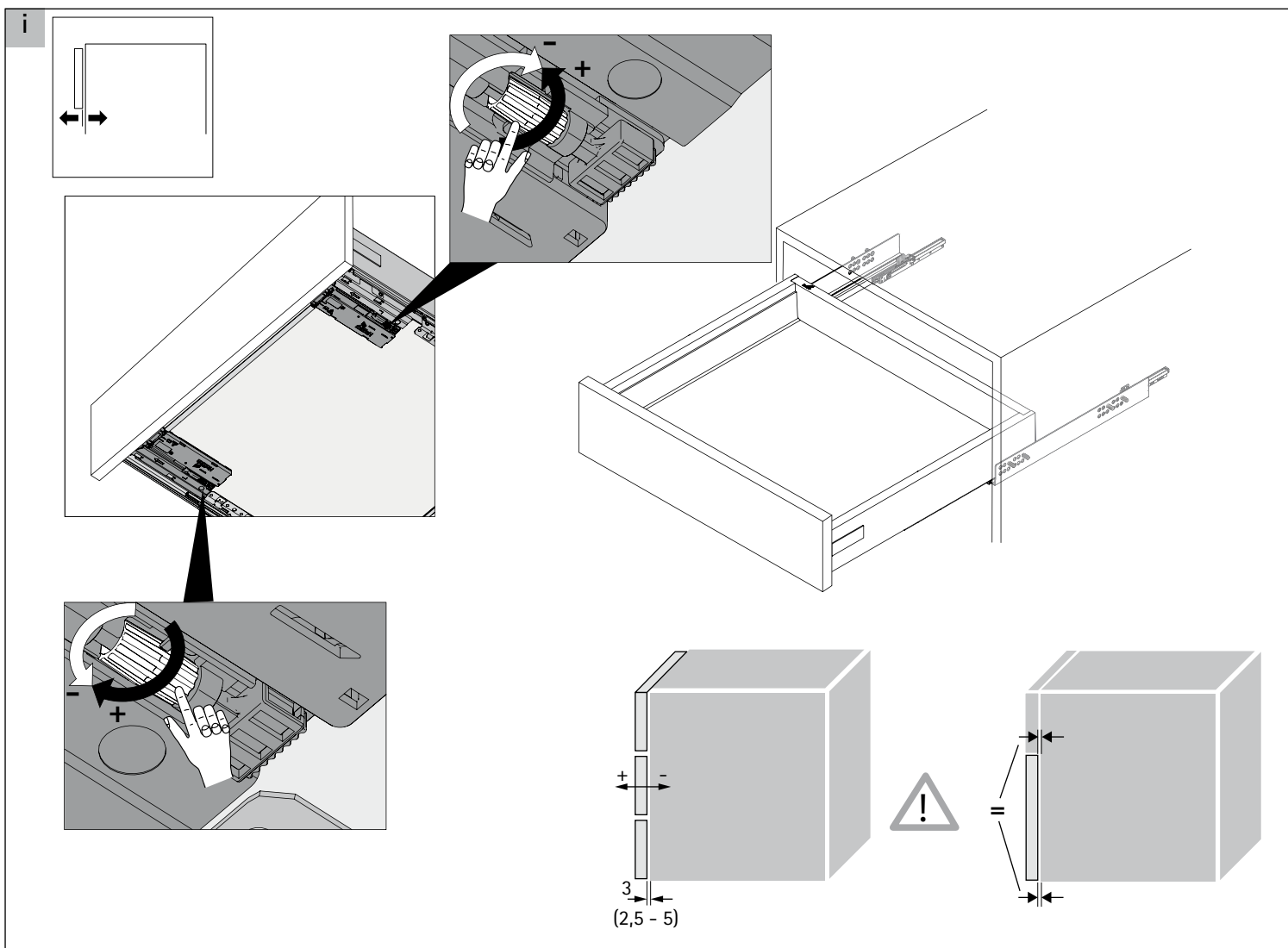
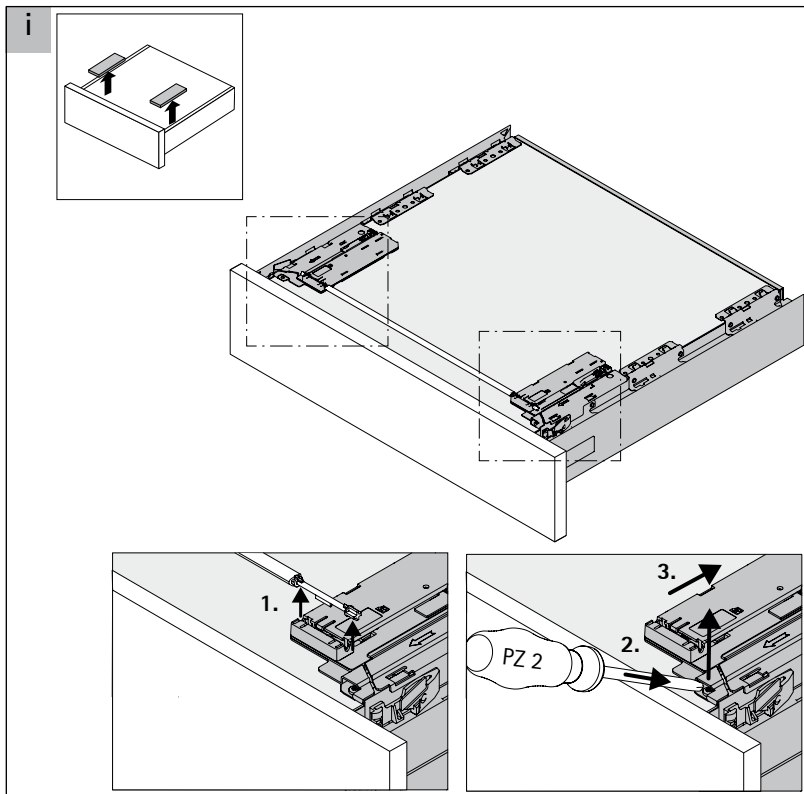
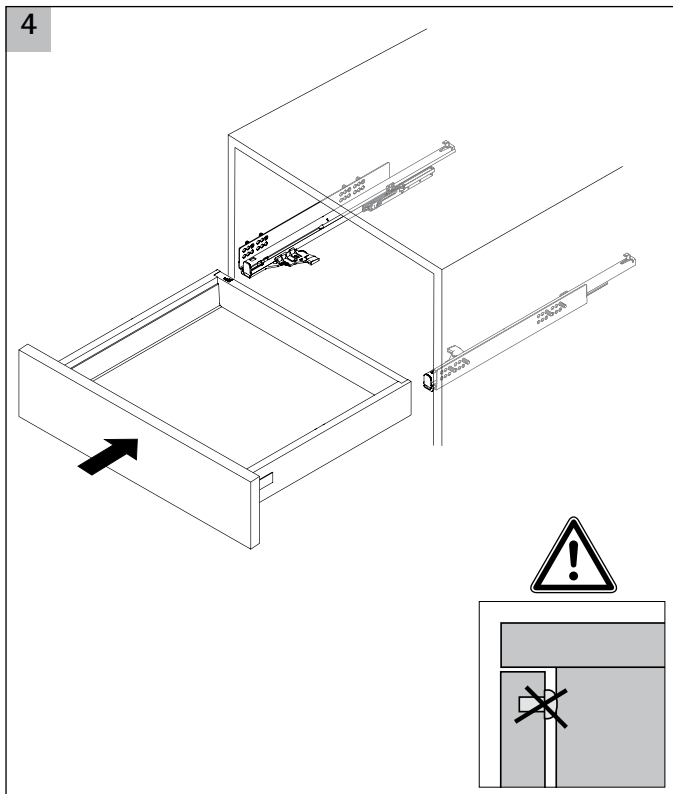
	10 (V6)	30 (V6)	50 (V6+)
XX	= 10	11 - 30	31 - 50



NL mm	b1 mm	b2 mm	X mm A	X mm B
260	160	-	279	288
300	160	-	315	324
350	192	-	365	374
420	224	-	435	444
470	256	-	485	494
520	256	-	535	544
620	352	64	635	644







InnoTech Atira double walled drawer system

► Push to open Silent opening system

Recommendation for drawer (front panel height up to approx. 150 mm)*

Nominal length mm	Nominal width mm											
	275	300	350	400	500	600	700	800	900	1000	1100	1200
260												
300												
350												
420												
470												
520												
620												

Recommendation for pot-and-pan drawer (front panel height up to approx. 300 mm, light to medium duty loading)*

Nominal length mm	Nominal width mm											
	275	300	350	400	500	600	700	800	900	1000	1100	1200
260												
300												
350												
420												
470												
520												
620												

Recommendation for pot-and-pan drawer, heavy duty (front panel height up to approx. 300 mm, heavy duty loading, e.g. with stacks of plates)*

Nominal length mm	Nominal width mm											
	275	300	350	400	500	600	700	800	900	1000	1100	1200
260												
300												
350												
420												
470												
520												
620												

Order no. Push to open Silent:

9 240 161

9 240 162

9 240 163

9 240 164

* Recommendations for applications (front panel 19 mm chipboard, normal household loading), please refer to our online configurator to get more exact recommendations for customer chosen front panel dimensions and materials.



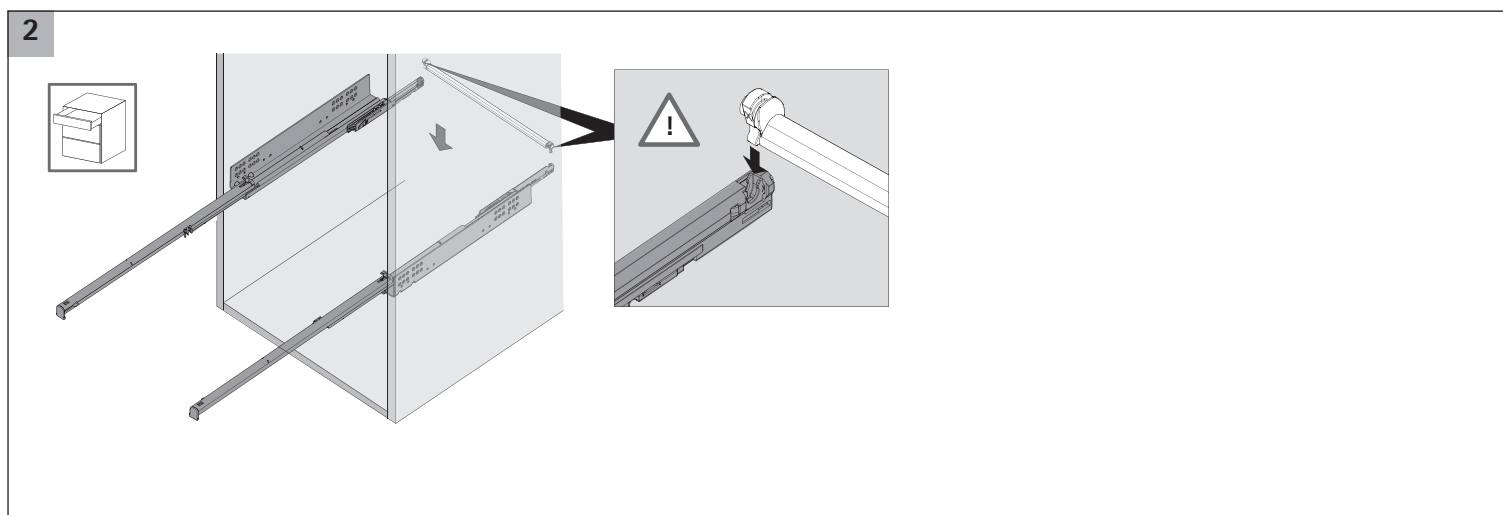
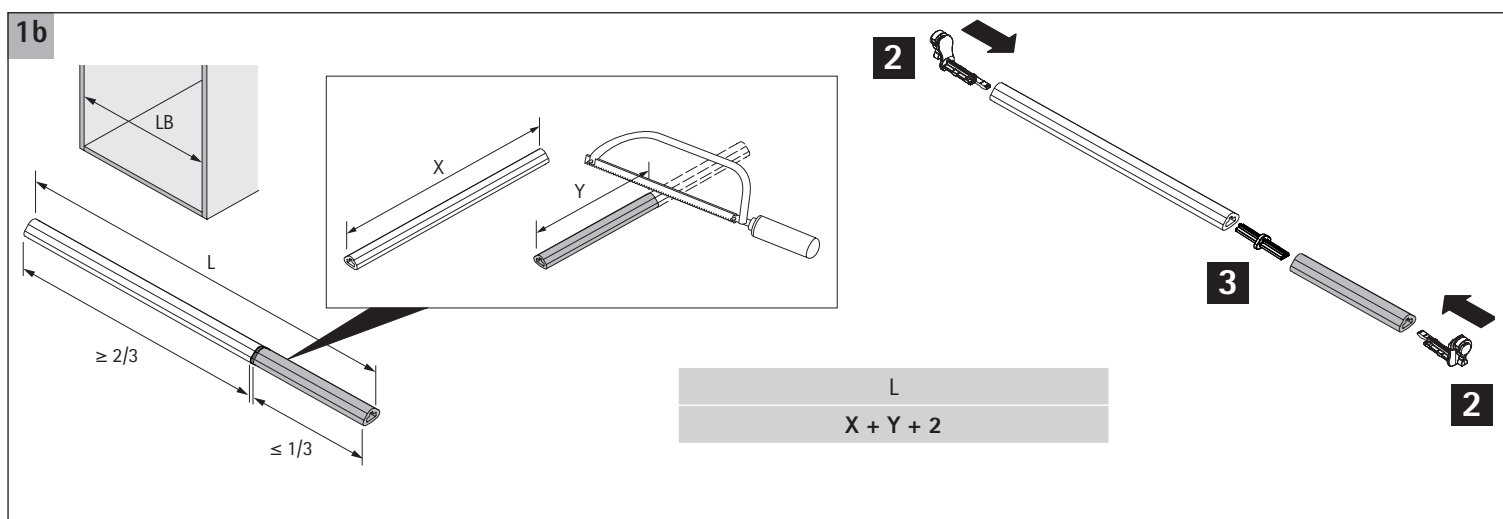
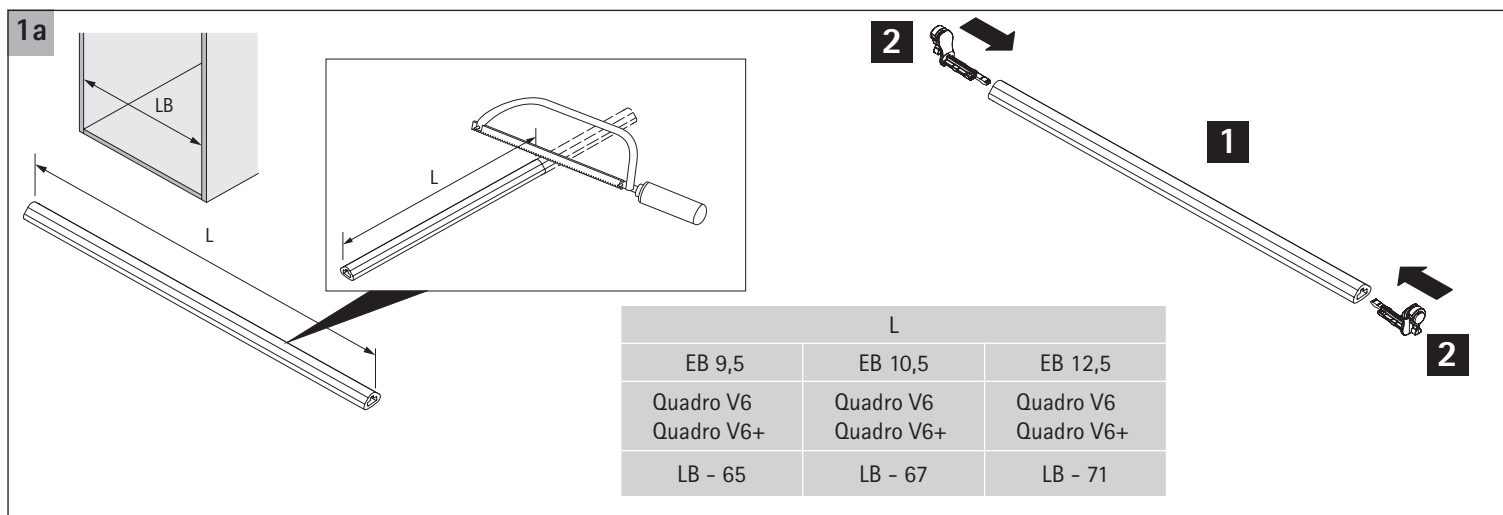
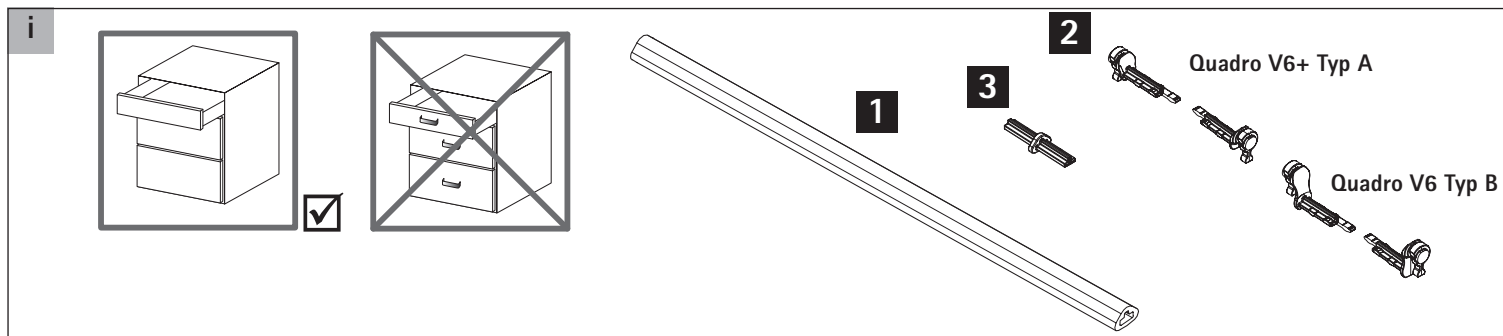
For further information:
<http://www.hettich.com/short/3e1c7c>



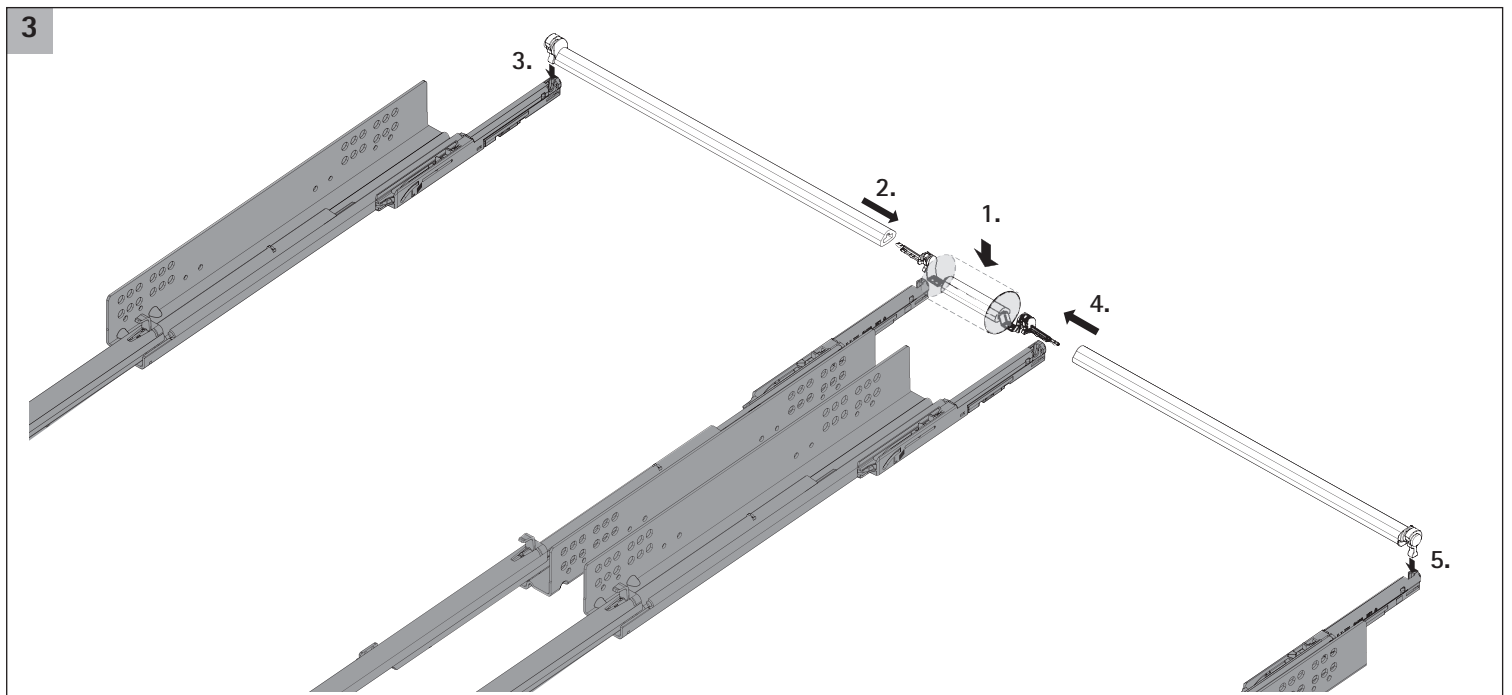
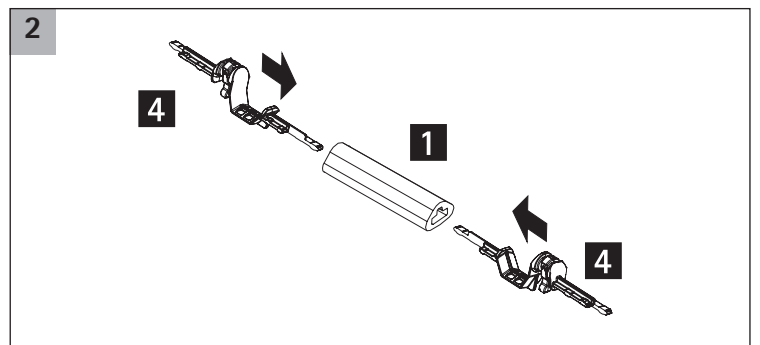
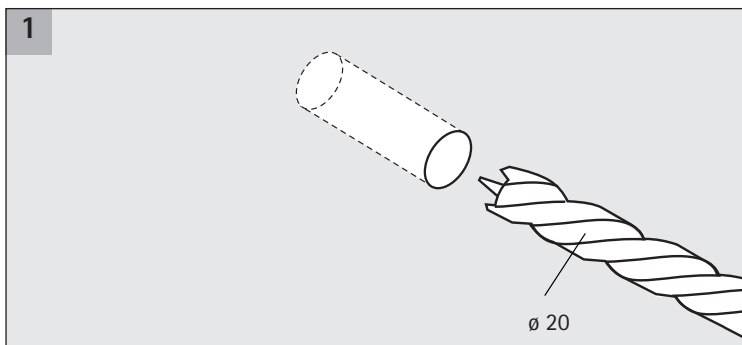
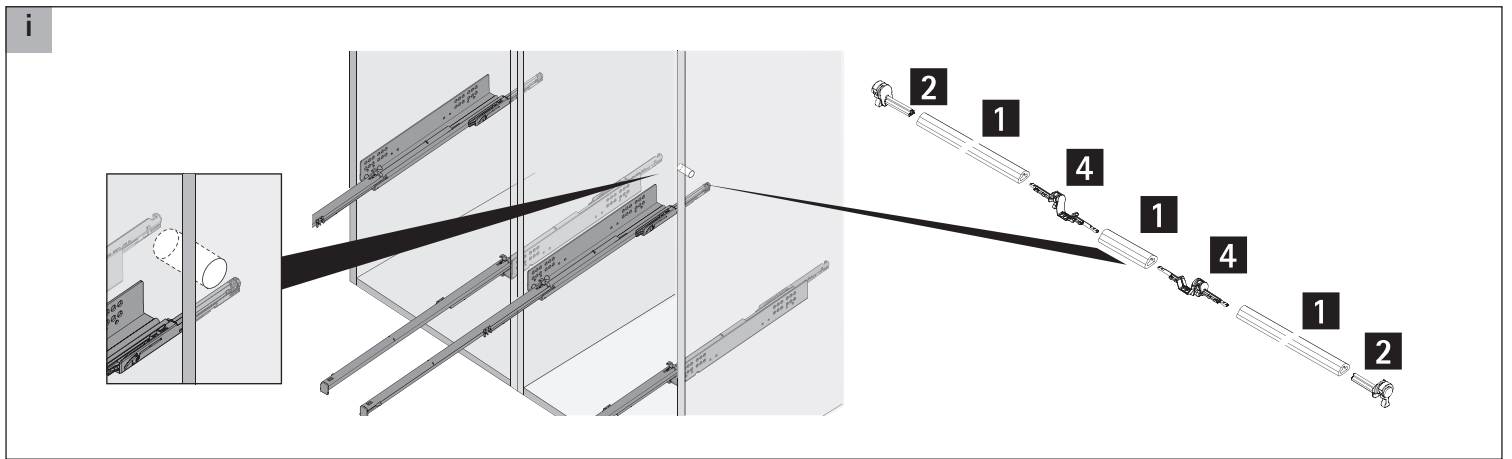
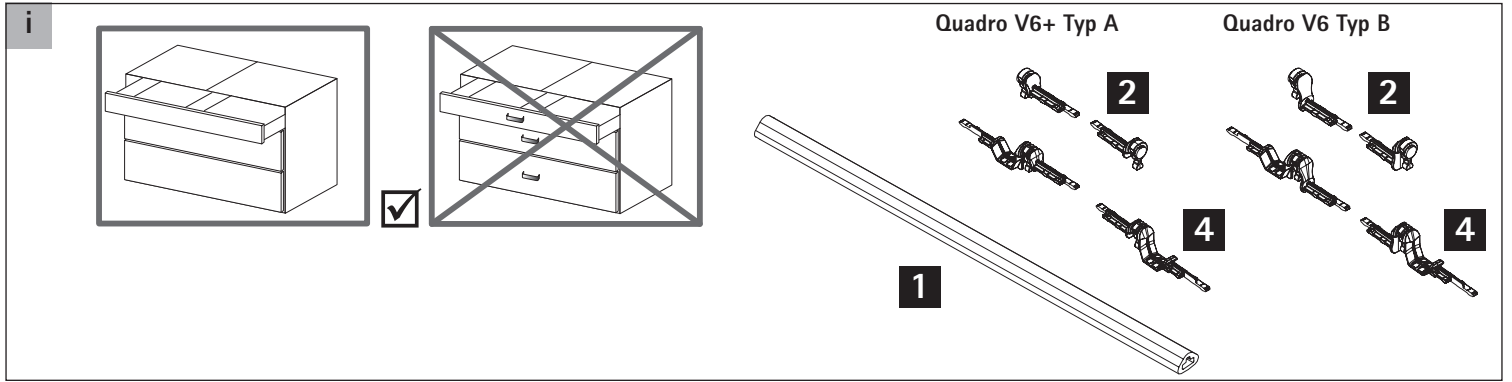
[hettich.com/short/577293](http://www.hettich.com/short/577293)

Quadro für InnoTech / InnoTech Atira

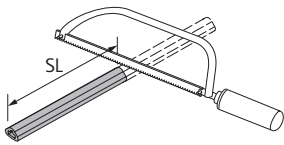
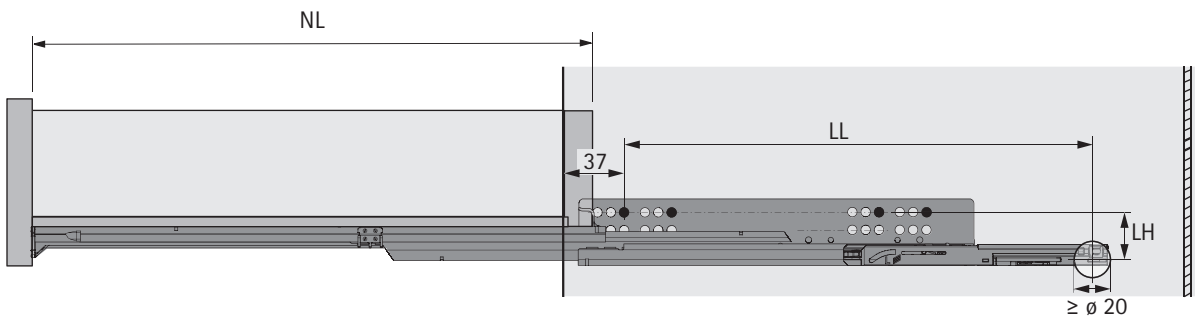
Push to open Synchro/Multisynchronisation



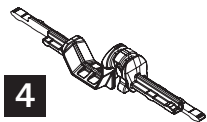
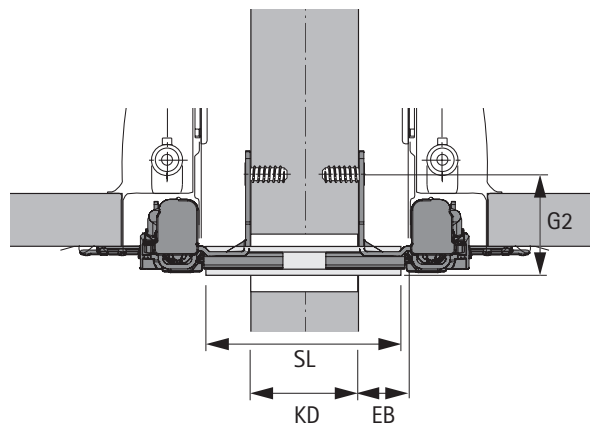
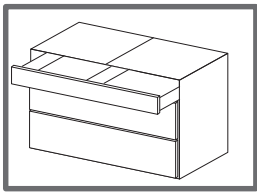
Push to open Multisynchronisation



i



$SL = KD + 2 \times EB - 6$



Quadro V6 Typ B	
NL mm	260 300 350 420 470 520
LL mm	257 262 310 370 400 442

Quadro V6+ Typ A	
NL mm	300 350 420 470 520 620
LL mm	261 309 345 381 435 513

	LH mm		G2 mm
Quadro V6	33	Quadro V6	43
Quadro V6+	38	Quadro V6+	46