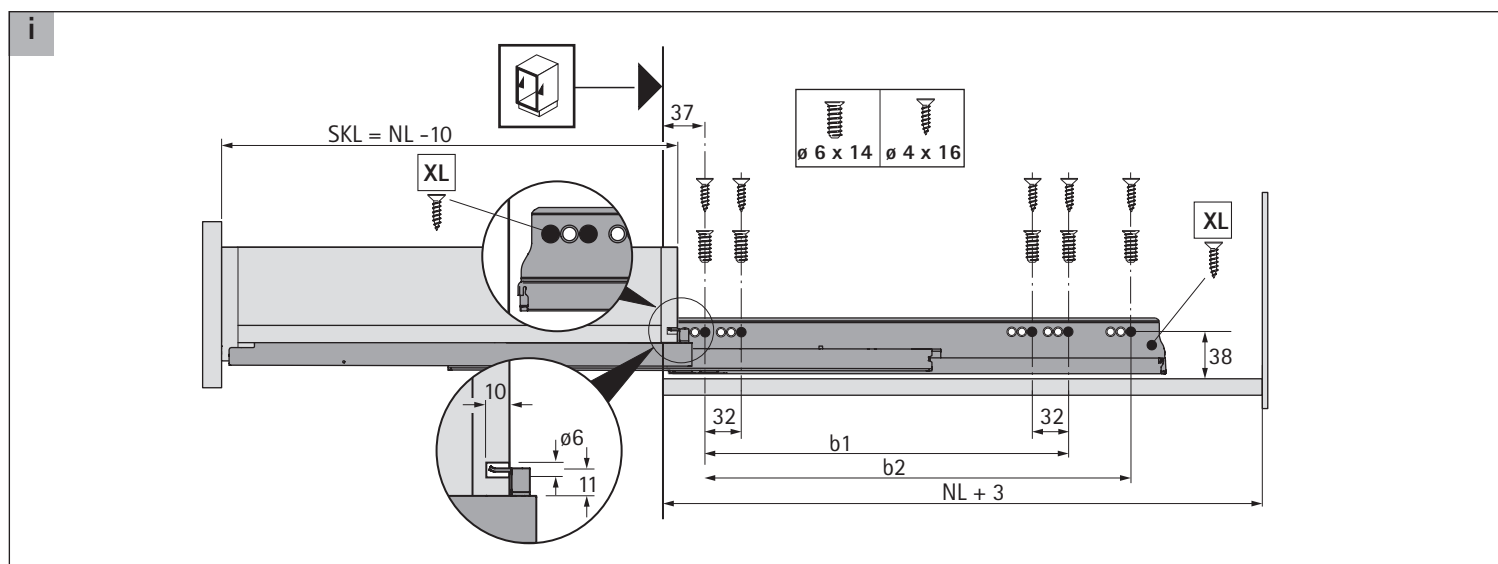
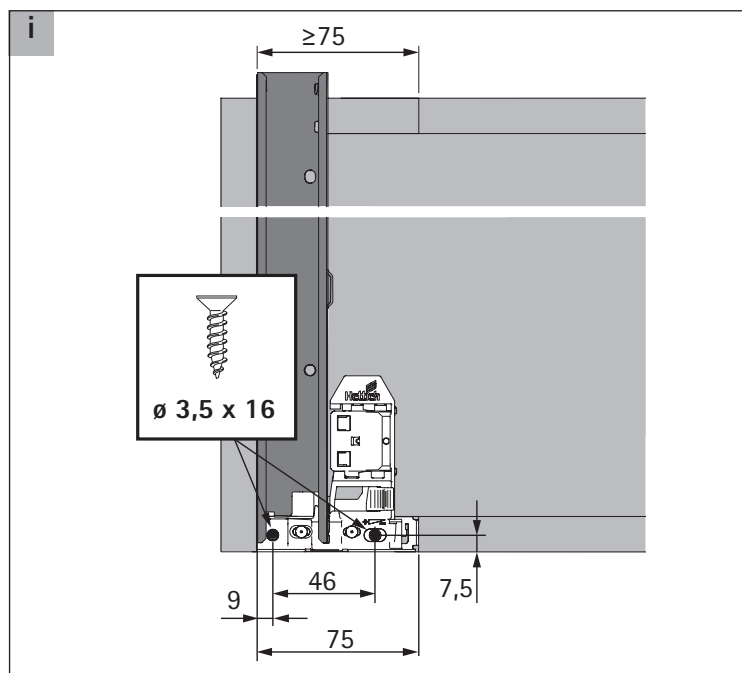
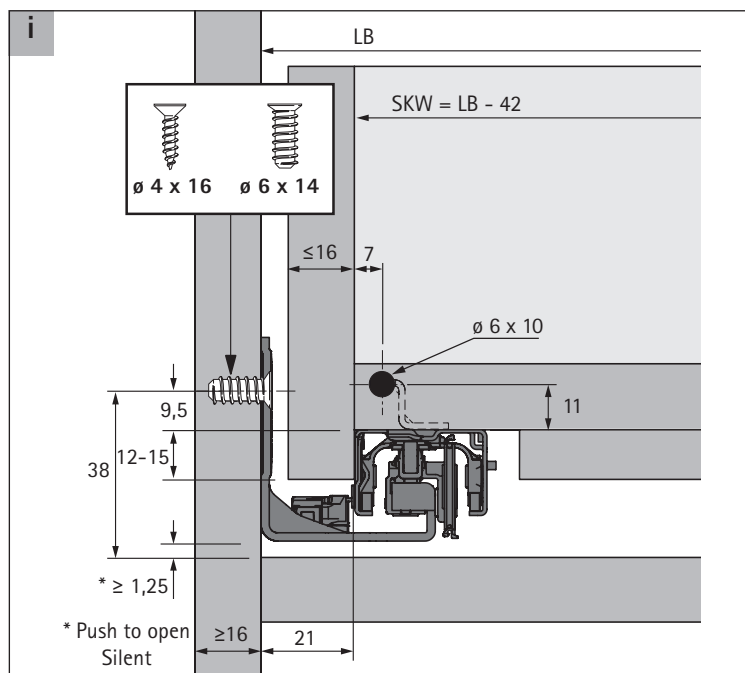


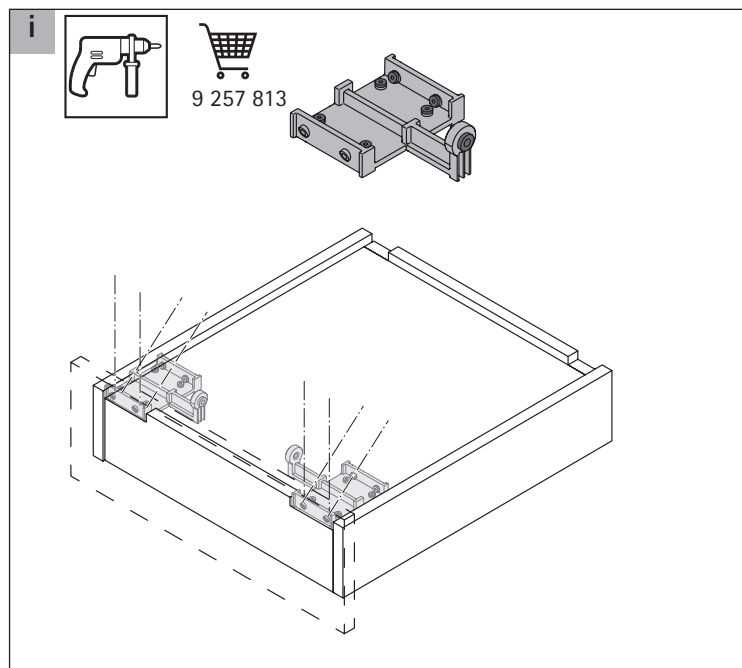
Actro YOU Silent System

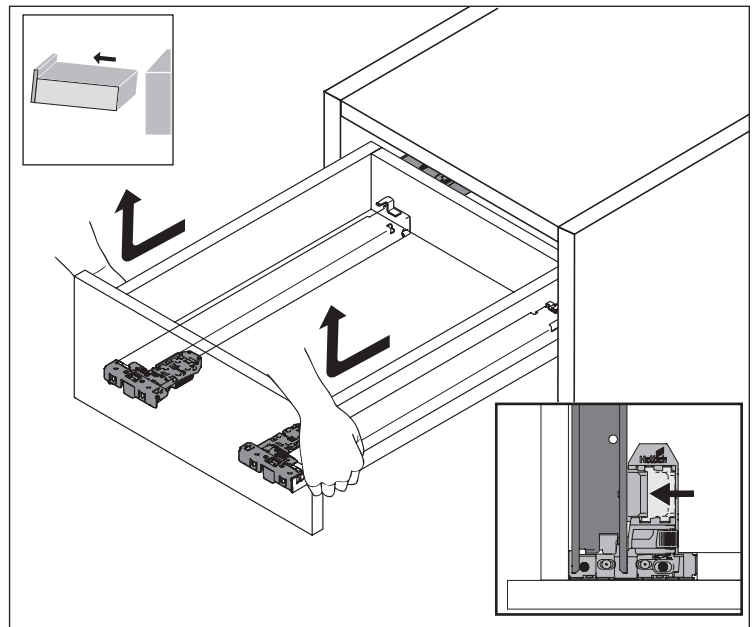
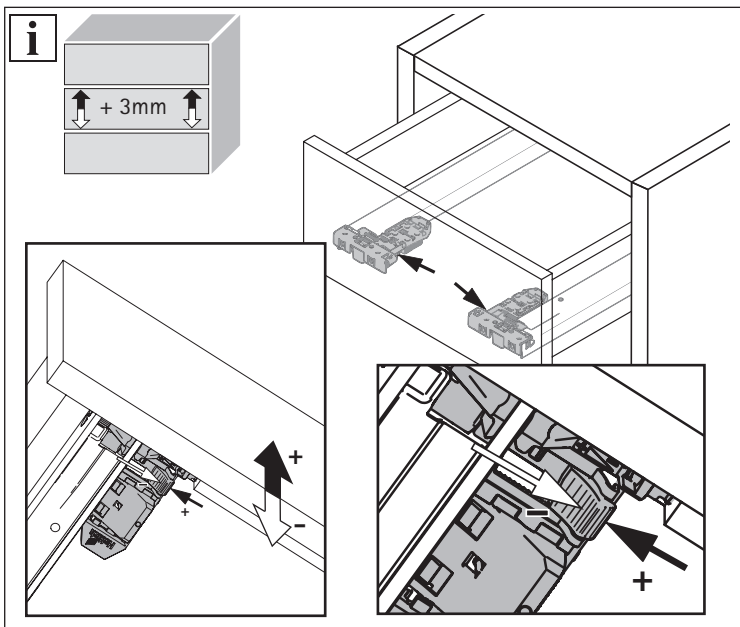
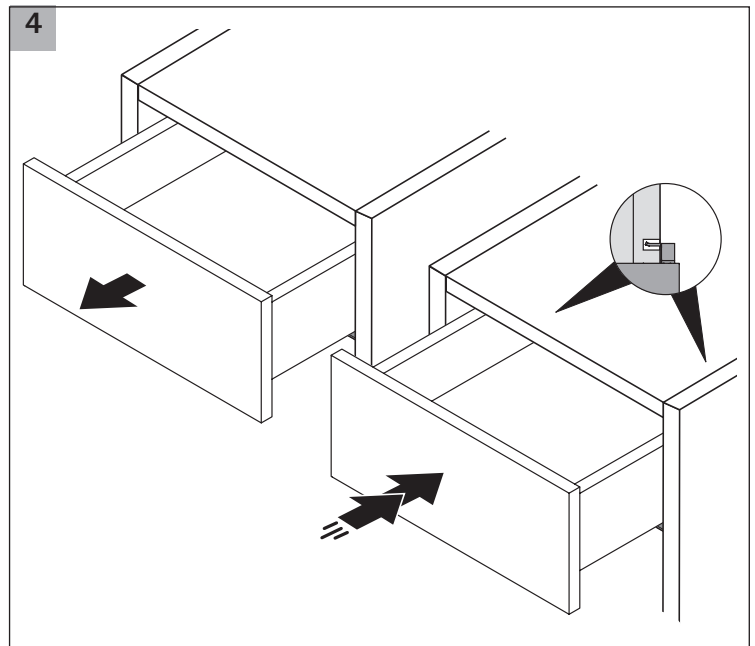
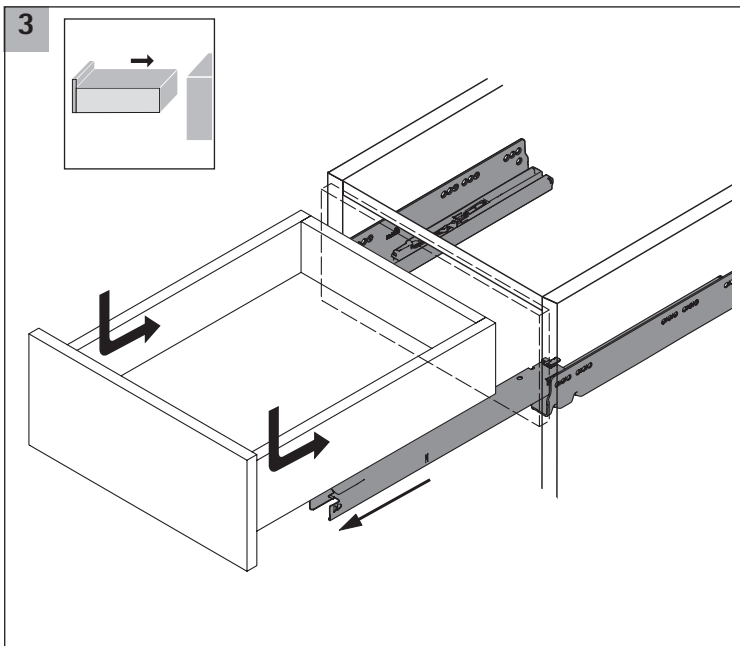
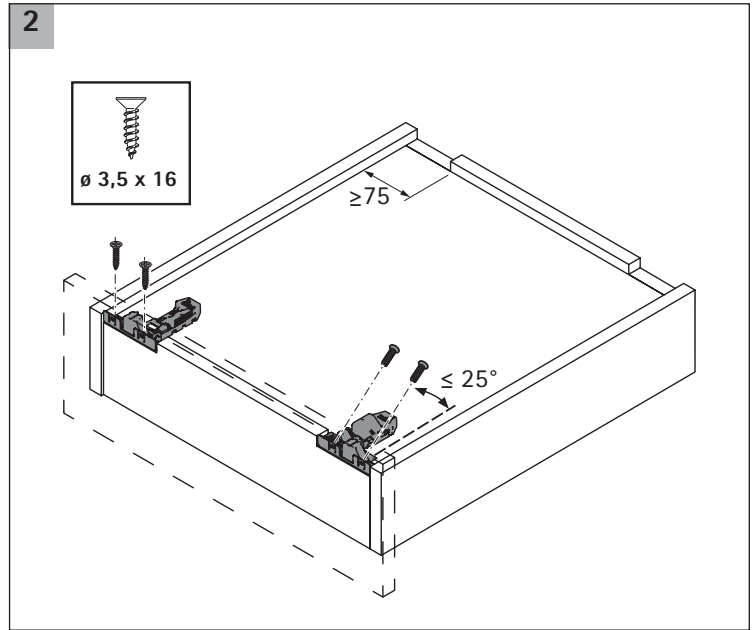
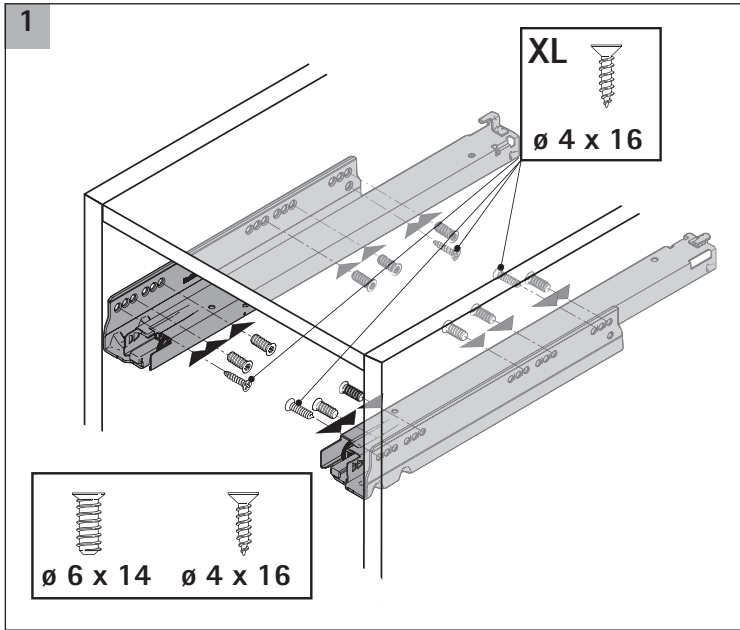
Slide-on, EB 21 (≤ 16 mm)

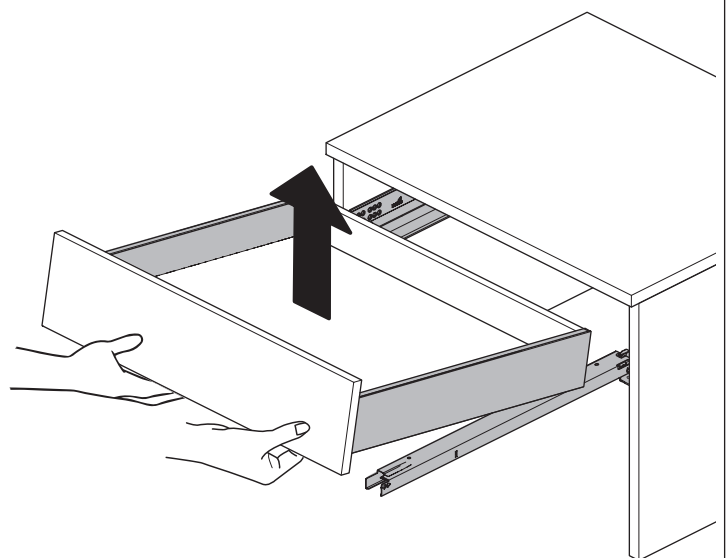
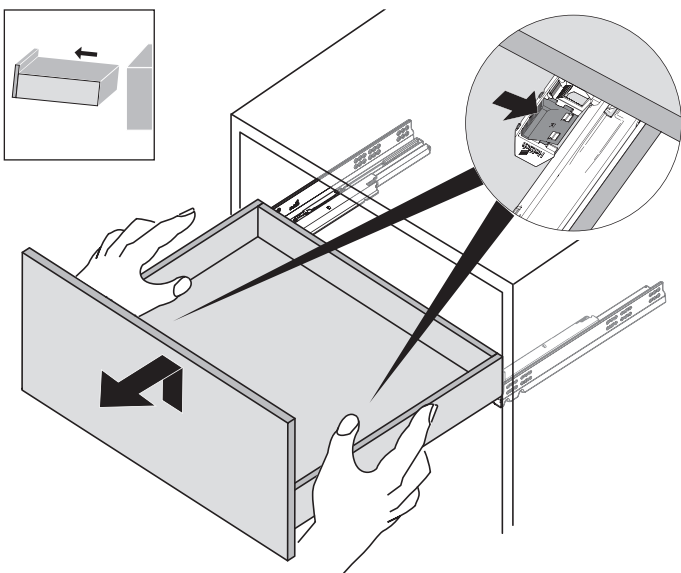
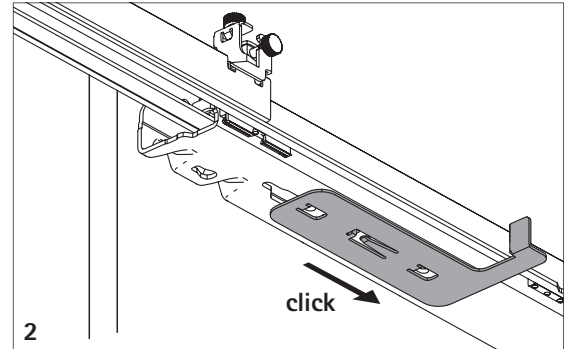
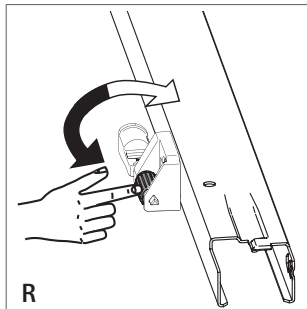
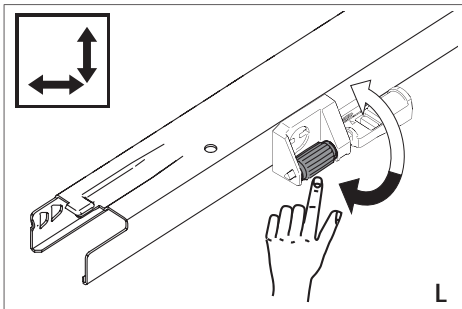
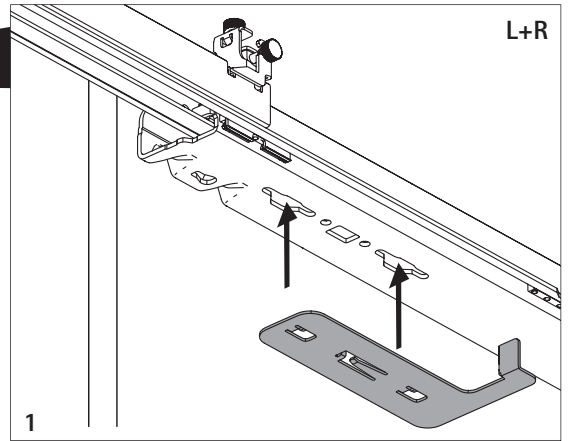
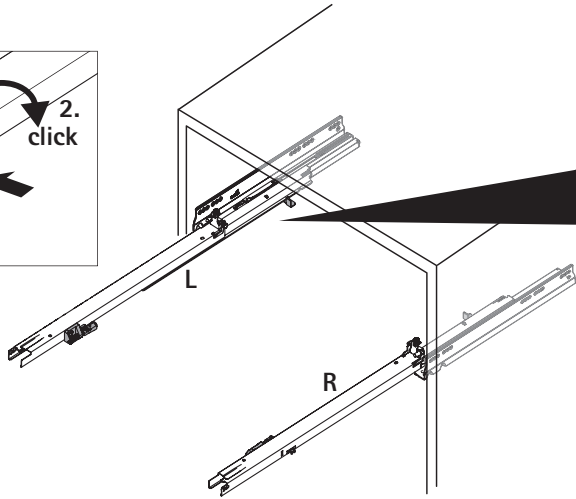
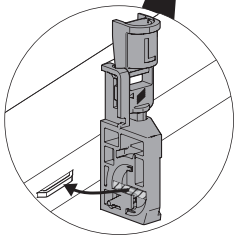
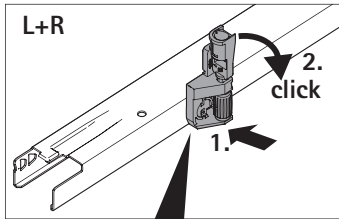
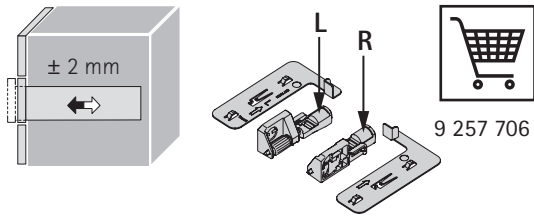
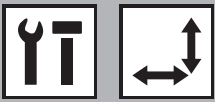
Technik für Möbel



NL mm	b1 mm	b2 mm (XL 70 kg)	XS 10 kg	L 40 kg	XL 70 kg
270	160				
300	160				
350	224				
400	224				
450	256	288			
500	256	320			
550	256	320			
600	256	320			
650	256	416			

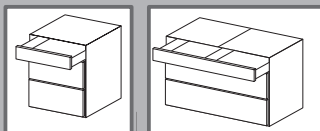




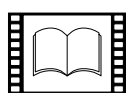


Actro YOU

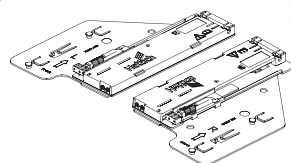
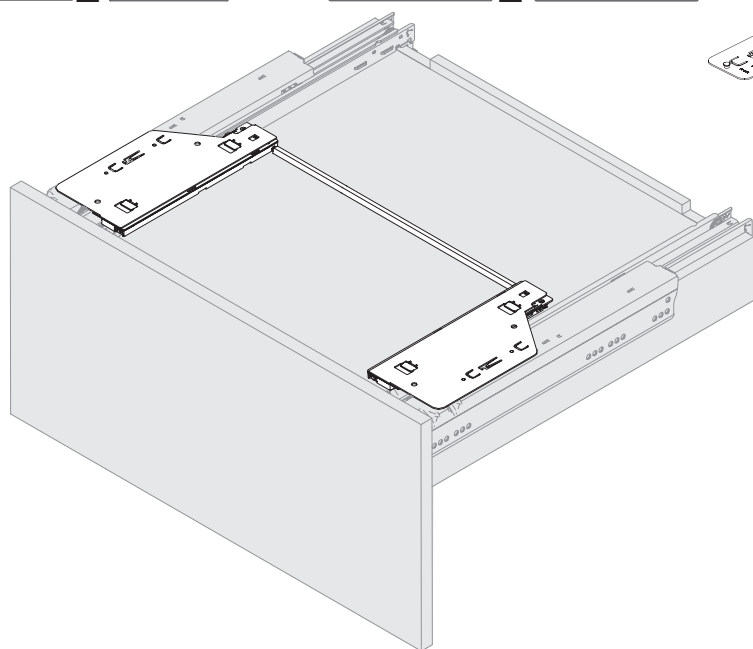
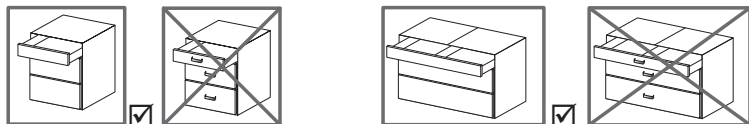
Push to open Silent



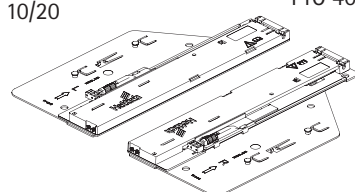
Technik für Möbel



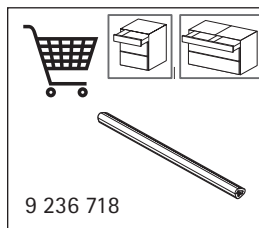
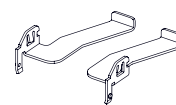
PZ 2



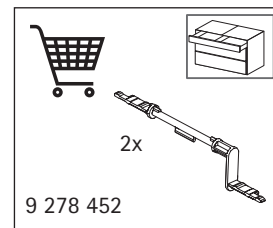
PTO 10/20



PTO 40/70

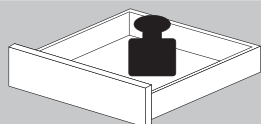


9 236 718



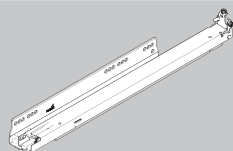
9 278 452

i1



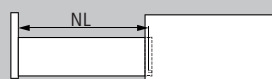
kg

3 - 10
8 - 20
10 - 40
20 - 70



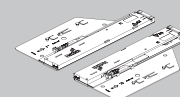
kg

10
40
40
70

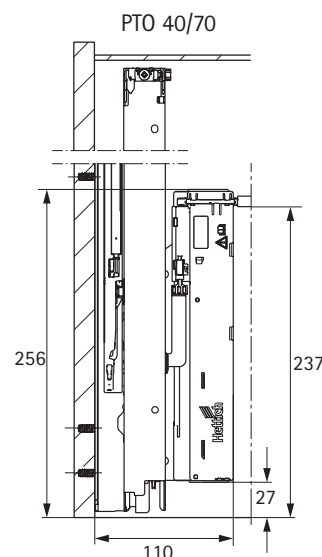
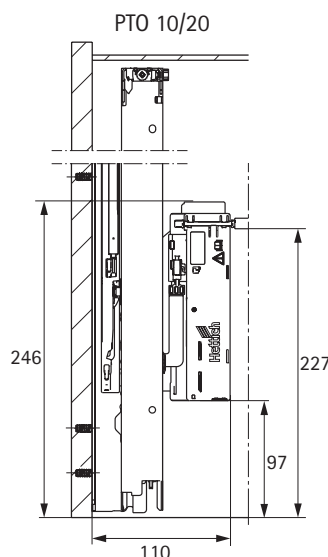
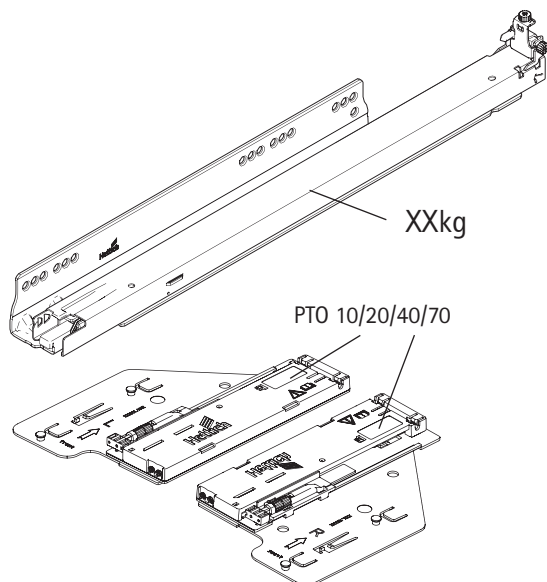


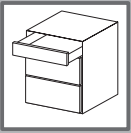
mm

250 - 350
250 - 600
350 - 600
450 - 750

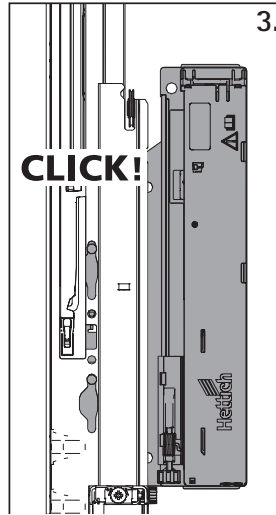
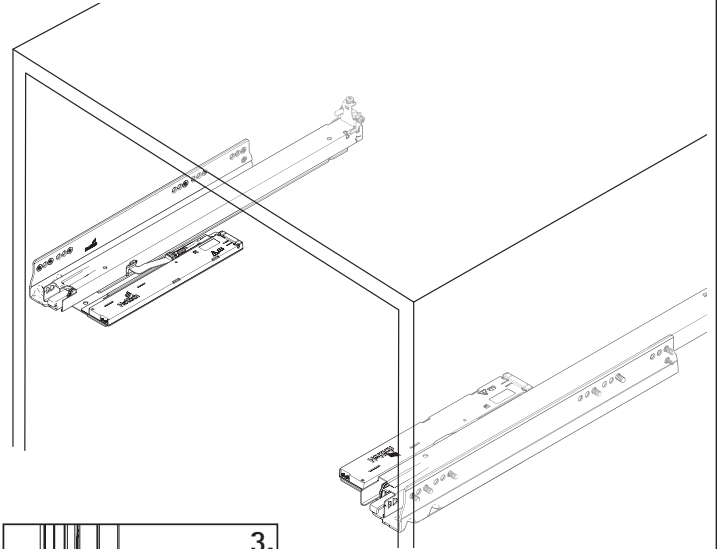
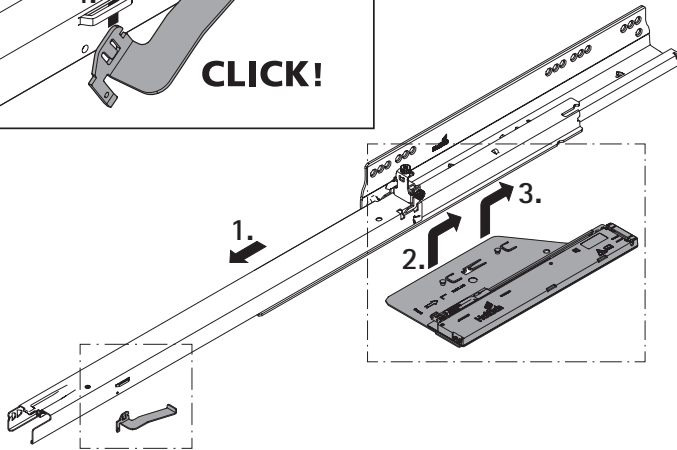
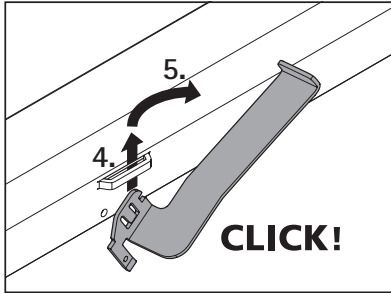


PTO 10
PTO 20
PTO 40
PTO 70

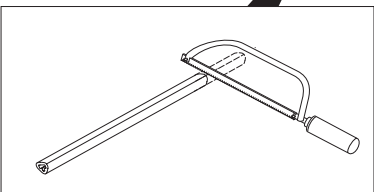
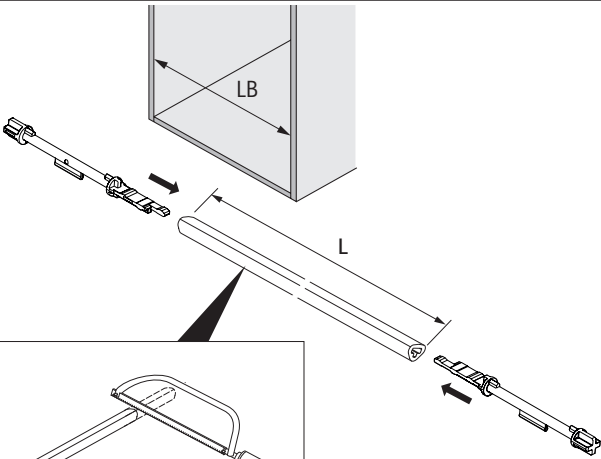




1

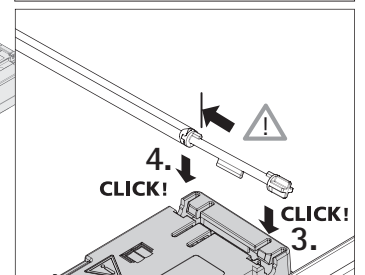
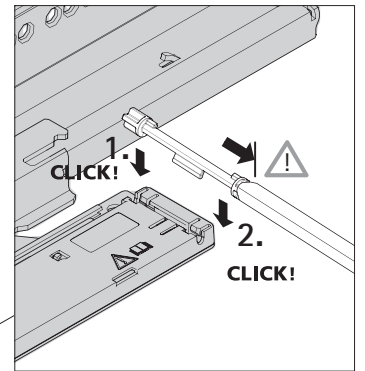


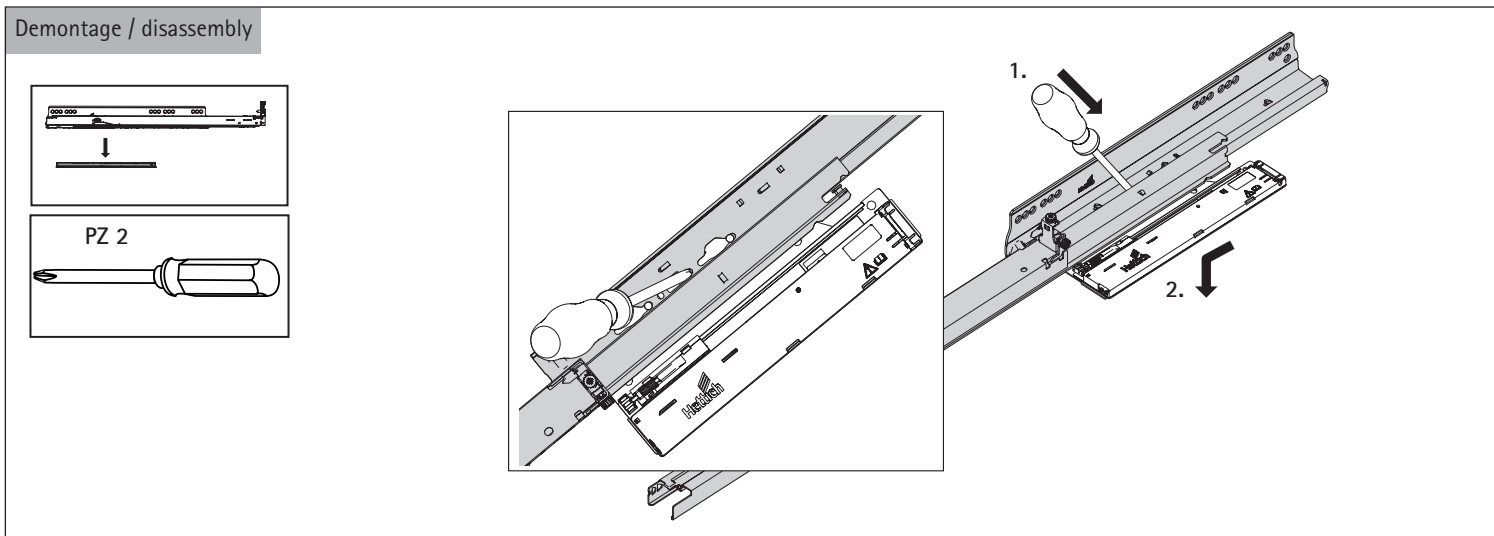
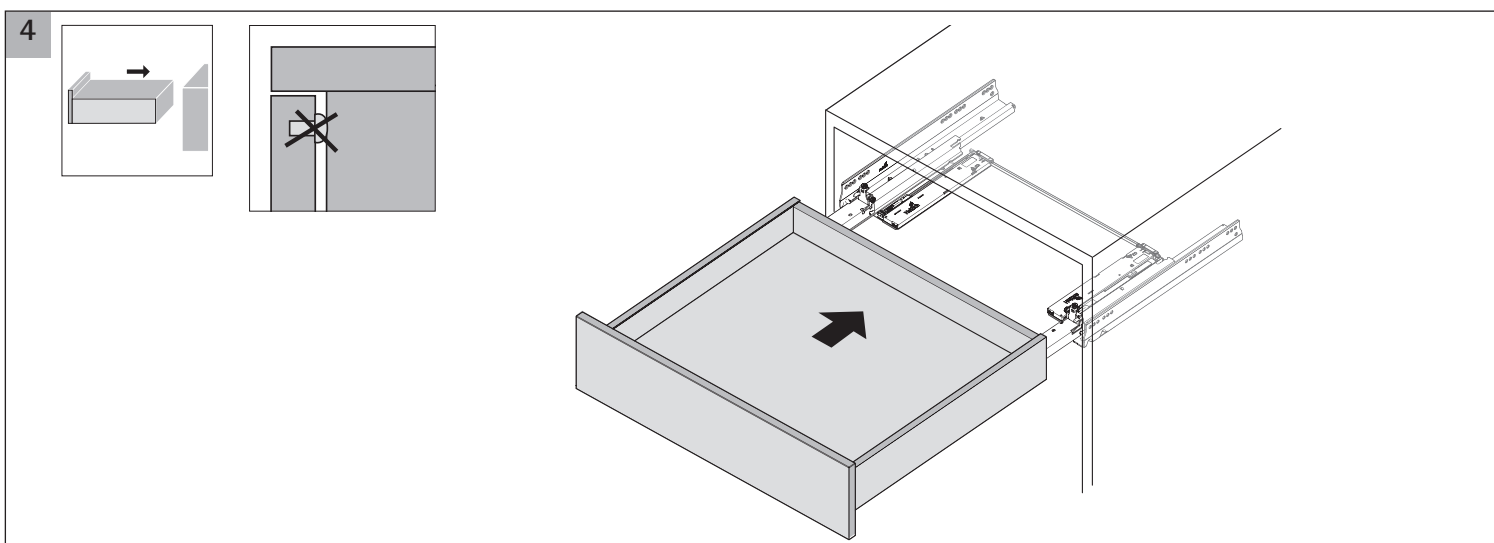
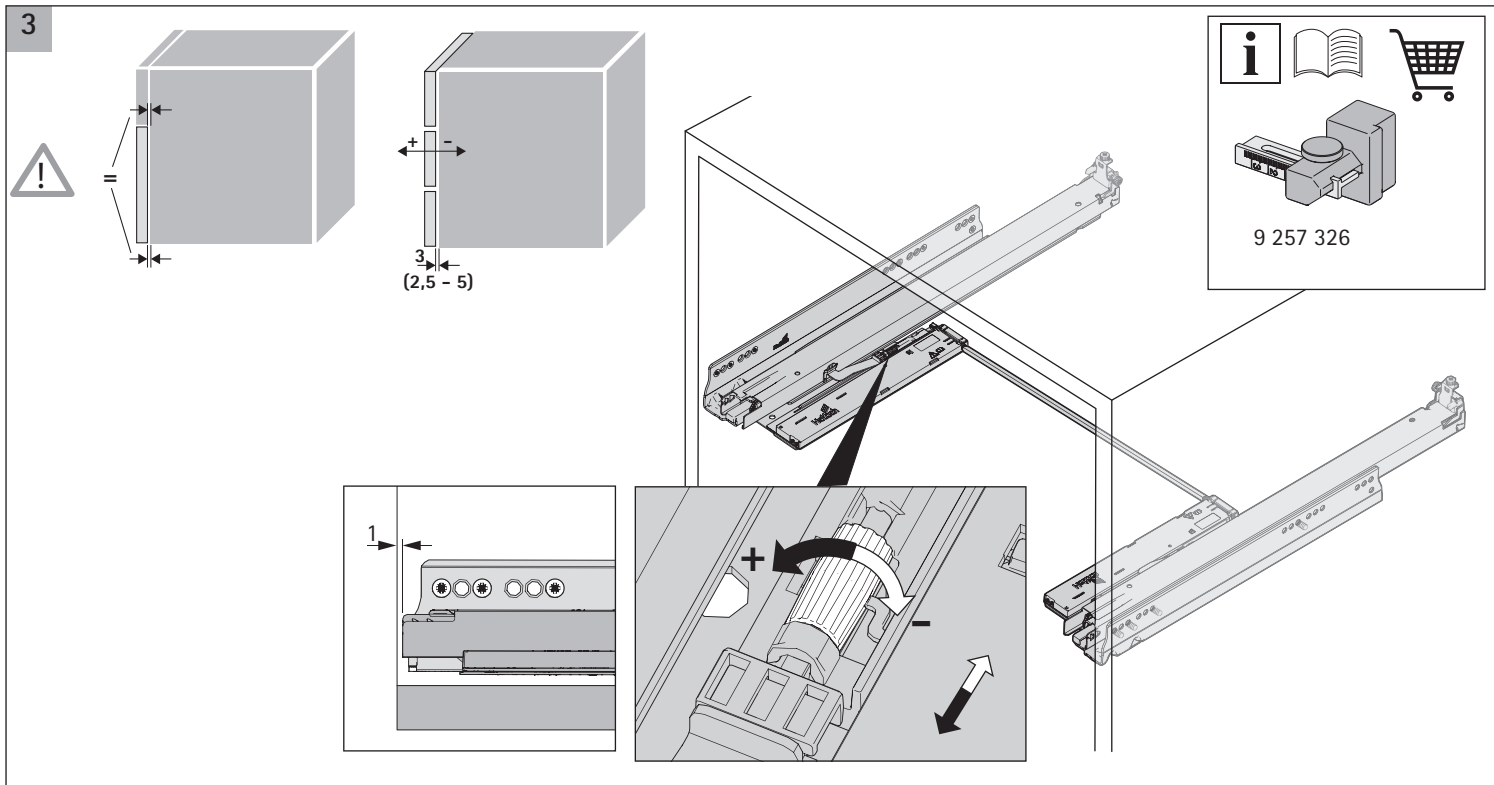
2

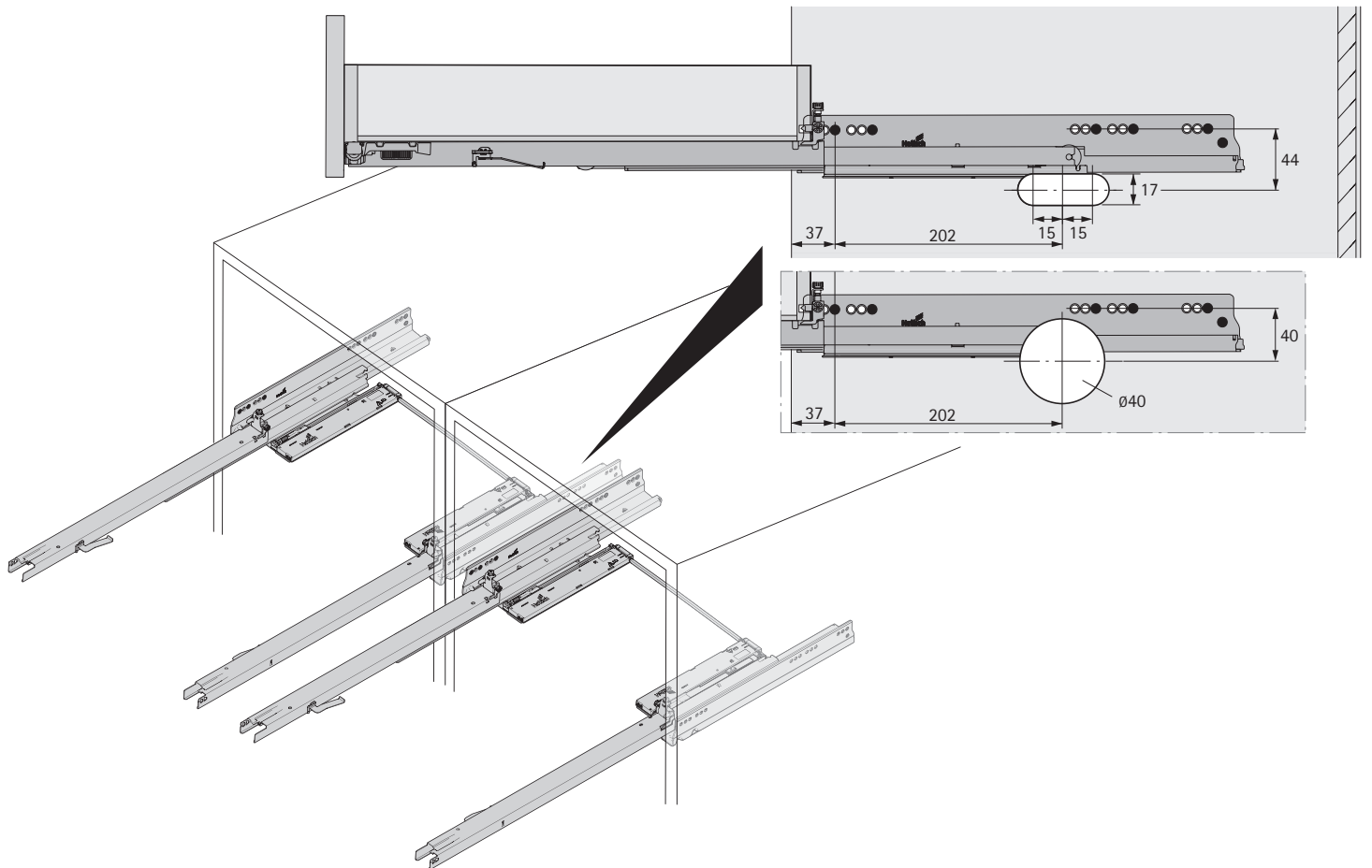
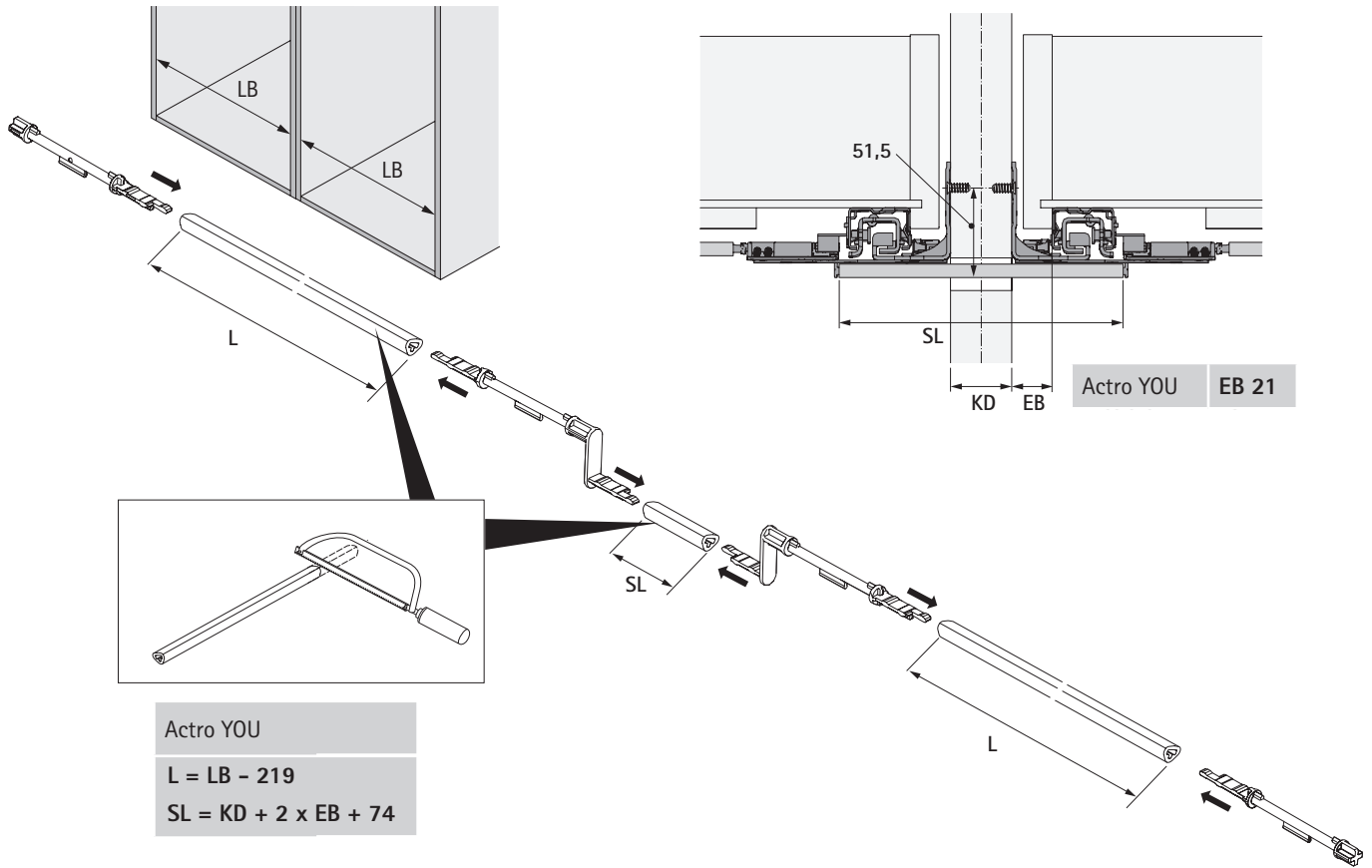
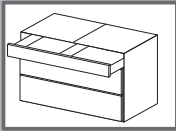


Actro YOU

$L = LB - 219$



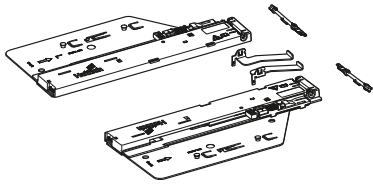




AvanTech YOU double walled drawer system

► Push to open Silent opening system for Actro YOU

Push to open Silent opening system for Actro YOU



- Can be used with AvanTech YOU system drawer on Actro YOU drawer runner with Silent System
- Optional synchronisation possible

Set comprises:

- 1 Push to open Silent unit, left and right
- 1 activator, left and right
- 2 adapters for synchronisation

Total weight kg	Actro kg	Nominal length mm	Order no.	PU
< 10	10	270 - 350	9 257 890	1 set
8 - 20	40	270 - 650	9 257 891	1 set
10 - 40	40	270 - 650	9 257 892	1 set
20 - 70	70	400 - 650	9 257 893	1 set

Recommendation for drawer (front panel height up to approx. 150 mm)*

Nominal length mm	Nominal width mm											
	275	300	350	400	500	600	700	800	900	1000	1100	1200
270												
300												
350												
400												
450												
500												
550												
650												

Recommendation for pot-and-pan drawer (front panel height up to approx. 300 mm, light to medium duty loading)*

Nominal length mm	Nominal width mm											
	275	300	350	400	500	600	700	800	900	1000	1100	1200
270												
300												
350												
400												
450												
500												
550												
650												

Recommendation for pot-and-pan drawer (front panel height up to approx. 300 mm, carrying heavy load, e.g. with stacks of plates)*

Nominal length mm	Nominal width mm											
	275	300	350	400	500	600	700	800	900	1000	1100	1200
270												
300												
350												
400												
450												
500												
550												
650												

Order no. Push to open Silent:

9 257 890

9 257 891

9 257 892

9 257 893

* Recommendations for applications (front panel 19 mm chipboard, normal household loading), please refer to our online configurator to get more exact recommendations for customer chosen front panel dimensions and materials.