



Channelline D

Product advantages

- ▶ Cover can be attached from above or inserted from the side
- ▶ For flush mounting
- ▶ High-quality flat recessed/surface-mounted profile

Features

- ▶ Wide beam angle of approx. 100°
- ▶ Homogeneous light line with Versa Linear

Application

- ▶ Retrofitting in niches
- ▶ flush with the inside of the cabinet

Order information

- ▶ To increase the luminosity, two Versa Inside can be glued next to each other

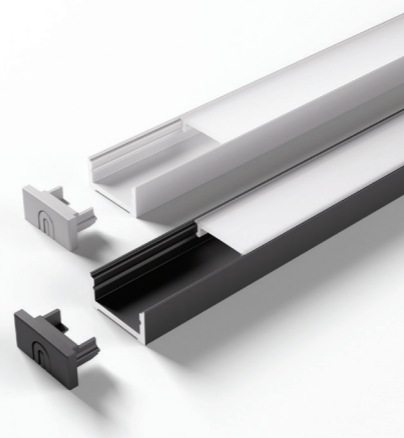
Channelline D

	Aluminium / Opal	Black / Opal
2500 mm	55 873 51	55 873 55
2500 mm (set of 10)	55 873 61	55 873 65
3000 mm	55 873 02	55 873 06
3000 mm (set of 10)	55 873 12	55 873 16
End cap (set of 2) lacquered	25 570 01	25 570 05

Accessories

	1 piece	10 piece
Double-sided adhesive tape, 16x0.5 mm	36 261 02	-
Cover profile dark 2500 mm	25 787 97	25 787 61
Cover profile dark 3000 mm	25 787 99	25 787 62

Technical details

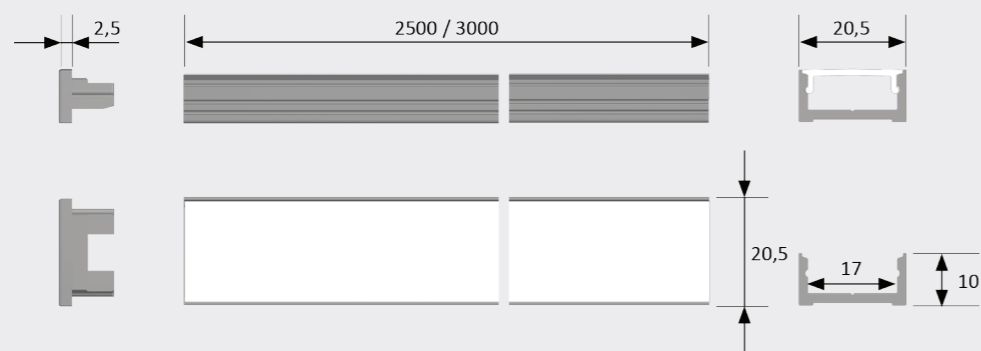


Recommended for:

- Versa Linear 600
- Versa Linear 1200
- Channelline sensors
- Versa Linear MaxiColor



Assembly drawing



Channelline D2

Product advantages

- ▶ High-quality deep recessed/surface-mounted profile
- ▶ For flush mounting
- ▶ Cover can be attached from above or inserted from the side

Features

- ▶ Homogeneous light line with Versa Inside from 120 LED/m with opal diffuser
- ▶ Wide beam angle of approx. 90°

Application

- ▶ Flush with top shelves
- ▶ Retrofitting in niches
- ▶ Mirror frame lighting

Order information

- ▶ Use of feeders and connectors in the profile possible
- ▶ To increase the luminosity, two Versa Inside can be glued next to each other

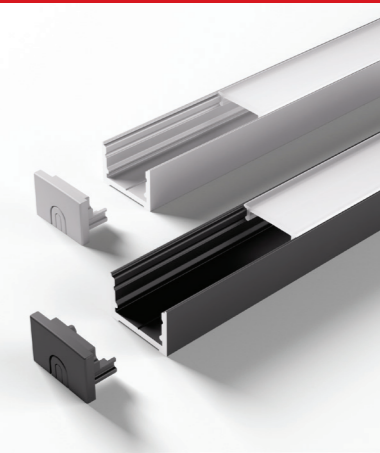
Channelline D2

	Aluminium / Opal	Black / Opal
2500 mm	55 870 51	55 870 55
2500 mm (set of 10)	55 870 61	55 870 65
3000 mm	55 870 02	55 870 22
3000 mm (set of 10)	55 870 06	55 870 26
End cap (set of 2) lacquered	25 774 01	25 774 05

Accessories

	1 piece	10 piece
Double-sided adhesive tape, 16x0.5 mm	36 261 02	-
Cover profile dark 2500 mm	25 787 97	25 787 61
Cover profile dark 3000 mm	25 787 99	25 787 62

Technical details



Recommended for:

- Versa Inside 600
- Versa Inside 1200
- Channelline sensors
- Versa Inside MaxiColor



Assembly drawing

