



Channelline C

Product advantages

- ▶ High quality flat recessed profile
- ▶ With filigree profile trim
- ▶ Cover can be attached from above or inserted from the side

Features

- ▶ Homogeneous light line from Versa Linear 600
- ▶ Wide beam angle of approx. 130°

Application

- ▶ Interior cabinet lighting in the floor
- ▶ Kitchen niche or top
- ▶ Shelves

Order information

- ▶ Use of feeders and connectors in the profile possible
- ▶ To increase the luminosity, two Versa Inside can be glued next to each other

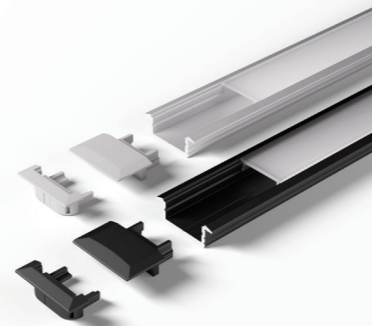
Channelline C

	Aluminium / Opal	Black / Opal
2500 mm	55 872 51	55 872 55
2500 mm (set of 10)	55 872 61	55 872 65
3000 mm	55 872 02	55 872 06
3000 mm (set of 10)	55 872 12	55 872 16
End cap type 1 (set of 2) lacquered	25 569 01	25 569 05
End cap type 2 (set of 2) lacquered	25 786 01	25 786 05

Accessories

	1 piece	10 piece
Channelline installation spring (set of 2)	25 536 01	-
Cover profile dark 2500 mm	25 787 97	25 787 61
Cover profile dark 3000 mm	25 787 99	25 787 62

Technical details

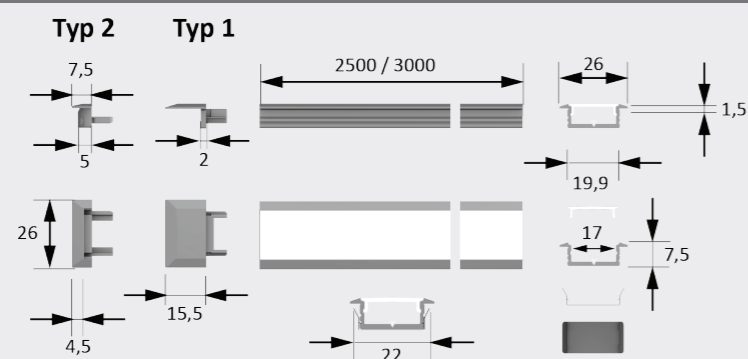


Recommended for:

- Versa Linear 600
- Versa Linear 1200
- Channelline Sensors
- Versa Linear MaxiColor



Assembly drawing



Channelline C2

Product advantages

- ▶ Cover can be attached from above or inserted from the side
- ▶ With filigree profile trim
- ▶ High quality deep recessed profile

Features

- ▶ Wide beam angle of approx. 65°
- ▶ Homogeneous light line with Versa Inside from 120 LED/m

Application

- ▶ Shelves
- ▶ Kitchen niche or top
- ▶ Interior cabinet lighting in the floor

Order information

- ▶ To increase the luminosity, two Versa Inside can be glued next to each other
- ▶ Corresponds to the former Channelline B

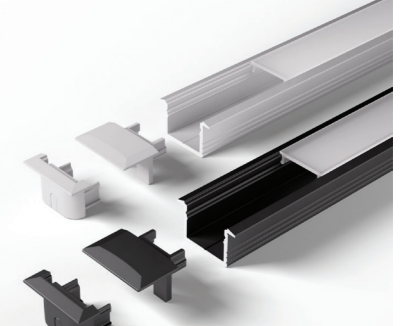
Channelline C2

	Aluminium / Opal	Black / Opal
2500 mm	55 871 51	55 871 55
2500 mm (set of 10)	55 871 61	55 871 65
3000 mm	55 871 02	55 871 06
3000 mm (set of 10)	55 871 12	55 871 16
End cap type 1 (set of 2) lacquered	25 568 01	25 568 05
End cap type 2 (set of 2) lacquered	25 785 01	25 785 05

Accessories

	1 piece	10 piece
Channelline installation spring (set of 2)	25 536 01	-
Cover profile dark 2500 mm	25 787 97	25 787 61
Cover profile dark 3000 mm	25 787 99	25 787 62

Technical details



Recommended for:

- Versa Inside 600
- Versa Inside 1200
- Channelline sensors
- Versa Inside MaxiColor



Assembly drawing

