



## Repeater

### Product advantages

- ▶ Inexpensive control of large outputs
- ▶ Easy to install
- ▶ Can be combined with many different radio controls and dimmers

### Features

- ▶ Any number of repeaters can be connected in parallel
- ▶ Each repeater requires a control signal from the dimmer/switch
- ▶ Sufficient ballast power is required

### Ordering information

- ▶ Works with all HALEMEIER PWM dimmers
- ▶ Works with MultiSwitch
- ▶ Cannot be combined with dimmable ballasts

### Repeater

Repeater 12 Volt DC - 36 W	30 263 07
Repeater MaxiColor 24 Volt DC - 150 W*	30 263 52

### Technical details

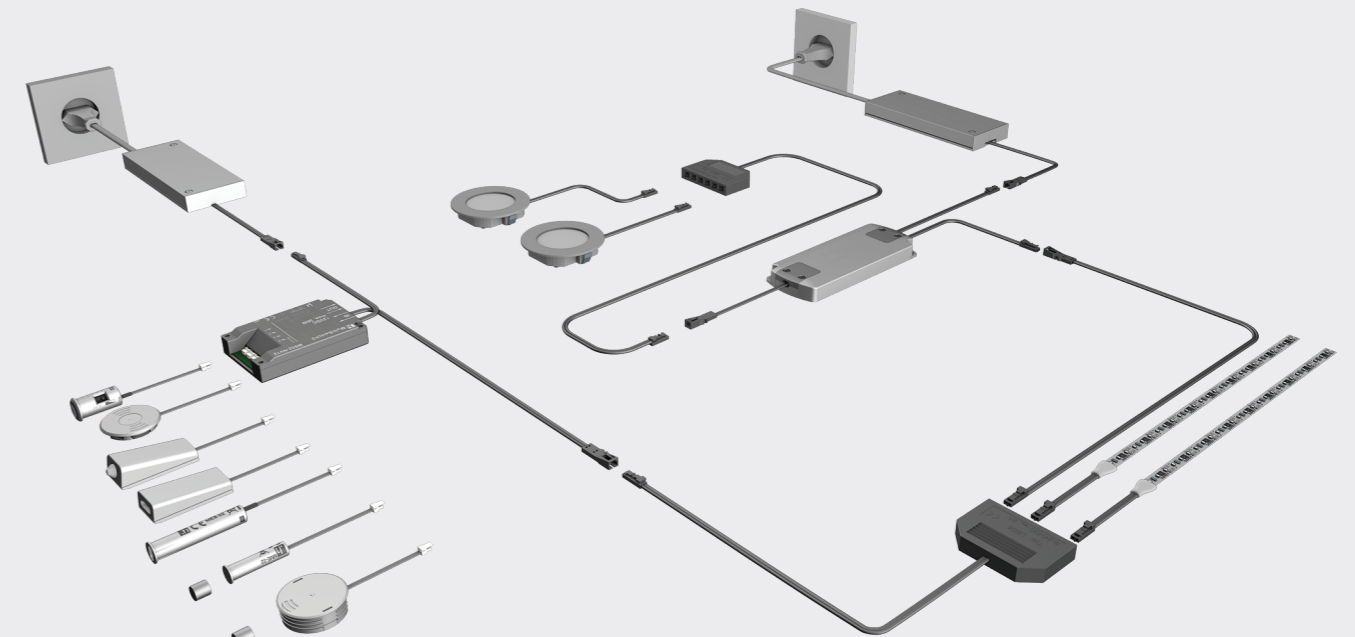
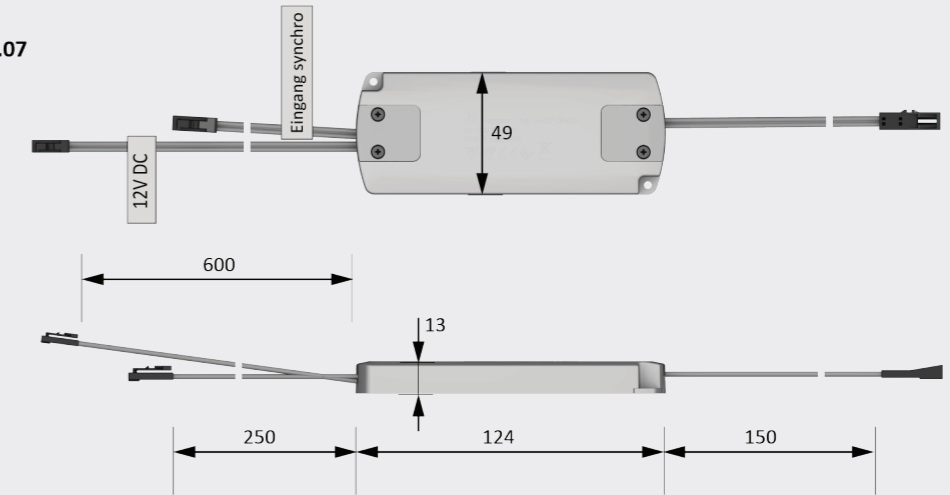


12 V

Surface finish:	White
Test marks and symbols:	CE Ⓢ
Supply lead:	600 mm
Primary connector:	see drawing
Lead output:	150 mm
Secondary connector:	see drawing

### Assembly drawing

30.263.07



\* see page 56